

Sprockets triplex 3/8" x 7/32"

DIN ISO 606



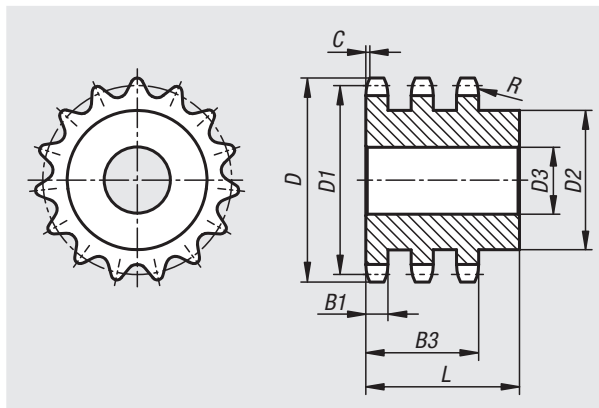
Material:
Steel C45.

Version:
Bright, not hardened.

Sample order:
nlm 22254-30380732008

Note:

Sprockets with hub one side for DIN ISO 606 roller chains.
The sprockets have a centre bore or are pre-drilled (this can vary due to production methods). For this reason, the dimension D3 max. given in the table is the maximum diameter of the bore that the sprockets are supplied with. This pilot hole/centre bore can be customised with a reamed hole, reamed hole with keyway or a tapped hole by the customer. Alternatively, bushes can be fitted by the customer to reduce the diameter.



Order No.	ISO No.	Pitch inch	Pitch mm	R	C	B1	B3
22254	06 B-3	3/8 x 7/32	9,525 x 5,72	10	1	5,2	25,6

Order No.	No. of teeth	D	D1	D2	D3 max.	L
22254-30380732008	8	28,6	24,89	15	8	32
22254-30380732009	9	31,5	27,85	18	8	32
22254-30380732010	10	34,5	30,82	20	10	32
22254-30380732011	11	37,5	33,8	22	12	35
22254-30380732012	12	40,5	36,8	25	12	35
22254-30380732013	13	43,5	39,8	28	12	35
22254-30380732014	14	46,5	42,8	31	12	35
22254-30380732015	15	49,5	45,81	34	12	35
22254-30380732016	16	52,5	48,82	37	12	35
22254-30380732017	17	55,5	51,83	40	12	35
22254-30380732018	18	58,6	54,85	43	12	35
22254-30380732019	19	61,6	57,87	46	12	35
22254-30380732020	20	64,6	60,89	49	12	35
22254-30380732021	21	67,6	63,91	52	16	40
22254-30380732022	22	70,6	66,93	55	16	40
22254-30380732023	23	73,7	69,95	58	16	40
22254-30380732024	24	76,7	72,97	61	16	40
22254-30380732025	25	79,7	76	64	16	40
22254-30380732026	26	82,7	79,02	67	16	40
22254-30380732027	27	85,7	82,04	70	16	40
22254-30380732028	28	88,8	85,07	73	16	40

Order No.	No. of teeth	D	D1	D2	D3 max.	L
22254-30380732029	29	91,8	88,09	76	16	40
22254-30380732030	30	94,8	91,12	79	16	40
22254-30380732031	31	97,9	94,15	80	16	40
22254-30380732032	32	100,9	97,17	80	16	40
22254-30380732033	33	103,9	100,2	80	16	40
22254-30380732034	34	106,9	103,23	85	16	40
22254-30380732035	35	110	106,26	85	16	40
22254-30380732036	36	113	109,29	90	16	40
22254-30380732037	37	116	112,32	90	16	40
22254-30380732038	38	119	115,34	90	16	40
22254-30380732039	39	122,1	118,37	90	16	40
22254-30380732040	40	125,1	121,4	90	16	40
22254-30380732045	45	141,1	136,54	88	20	60
22254-30380732050	50	156,3	151,69	88	20	60
22254-30380732057	57	177,5	172,91	88	25	60
22254-30380732060	60	186,6	181,99	88	25	60
22254-30380732076	76	235,1	230,49	88	25	60
22254-30380732095	95	292,7	288,08	120	25	60

Sprockets triplex 1/2" x 5/16"

DIN ISO 606



Material:
Steel C45.

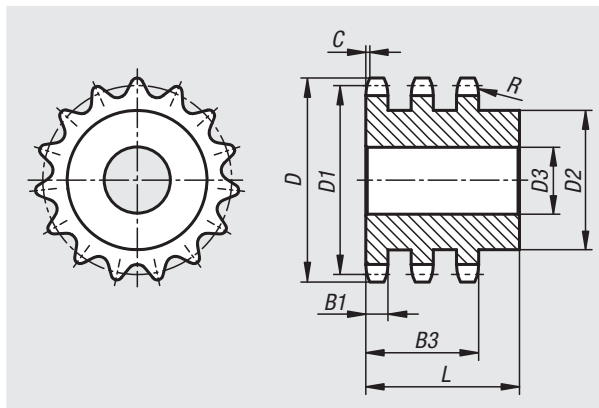
Version:
Bright, not hardened.

Sample order:
nlm 22254-30120516008

Note:

Sprockets with hub one side for DIN ISO 606 roller chains.

The sprockets have a centre bore or are pre-drilled (this can vary due to production methods). For this reason, the dimension D3 max. given in the table is the maximum diameter of the bore that the sprockets are supplied with. This pilot hole/centre bore can be customised with a reamed hole, reamed hole with keyway or a tapped hole by the customer. Alternatively, bushes can be fitted by the customer to reduce the diameter.



Order No.	ISO No.	Pitch inch	Pitch mm	R	C	B1	B3
22254	08 B-3	1/2 x 5/16	12,7 x 7,75	13	1,3	7	34,9

Order No.	No. of teeth	D	D1	D2	D3 max.	L
22254-30120516008	8	38	33,18	20	10	46
22254-30120516009	9	42	37,13	24	12	46
22254-30120516010	10	45,9	41,1	28	12	46
22254-30120516011	11	49,9	45,07	32	16	50
22254-30120516012	12	53,9	49,07	35	16	50
22254-30120516013	13	57,9	53,06	38	16	50
22254-30120516014	14	61,9	57,07	42	16	50
22254-30120516015	15	65,9	61,09	46	16	50
22254-30120516016	16	69,9	65,1	50	16	50
22254-30120516017	17	74	69,11	54	16	50
22254-30120516018	18	78	73,14	58	16	50
22254-30120516019	19	82	77,16	62	16	50
22254-30120516020	20	86	81,19	66	16	50
22254-30120516021	21	90,1	85,22	70	16	55
22254-30120516022	22	94,1	89,24	70	16	55
22254-30120516023	23	98,1	93,27	70	16	55
22254-30120516024	24	102,1	97,29	75	16	55
22254-30120516025	25	106,2	101,33	80	16	55
22254-30120516026	26	110,2	105,36	85	20	55
22254-30120516027	27	114,2	109,4	85	20	55
22254-30120516028	28	118,3	113,42	90	20	55

Order No.	No. of teeth	D	D1	D2	D3 max.	L
22254-30120516029	29	122,3	117,46	95	20	55
22254-30120516030	30	126,3	121,5	100	20	55
22254-30120516031	31	130,4	125,54	110	20	55
22254-30120516032	32	134,4	129,56	110	20	55
22254-30120516033	33	138,4	133,6	110	20	55
22254-30120516034	34	142,5	137,64	110	20	55
22254-30120516035	35	146,5	141,68	110	20	55
22254-30120516036	36	150,6	145,72	120	25	55
22254-30120516037	37	154,6	149,76	120	25	55
22254-30120516038	38	158,6	153,8	120	25	55
22254-30120516039	39	162,7	157,83	120	25	55
22254-30120516040	40	166,7	161,87	120	25	55
22254-30120516045	45	188,6	182,07	120	25	68
22254-30120516050	50	208,8	202,26	120	25	68
22254-30120516057	57	237,1	230,54	120	25	68
22254-30120516060	60	249,2	242,66	120	25	68
22254-30120516076	76	313,9	307,33	120	25	68
22254-30120516095	95	390,7	384,11	136	25	68

Sprockets triplex 5/8" x 3/8"

DIN ISO 606

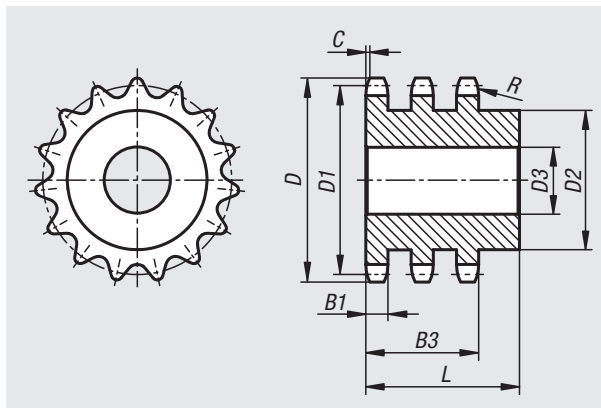


Material:
Steel C45.

Version:
Bright, not hardened.

Sample order:
nlm 22254-30580308008

Note:
Sprockets with hub one side for DIN ISO 606 roller chains.
The sprockets have a centre bore or are pre-drilled (this can vary due to production methods). For this reason, the dimension D3 max. given in the table is the maximum diameter of the bore that the sprockets are supplied with. This pilot hole/centre bore can be customised with a reamed hole, reamed hole with keyway or a tapped hole by the customer. Alternatively, bushes can be fitted by the customer to reduce the diameter.



Order No.	ISO No.	Pitch inch	Pitch mm	R	C	B1	B3
22254	10 B-3	5/8 x 3/8	15,875 x 9,65	16	1,6	9	42,1

Order No.	No. of teeth	D	D1	D2	D3 max.	L
22254-30580308008	8	48,4	41,48	25	12	55
22254-30580308009	9	53,3	46,42	30	12	55
22254-30580308010	10	58,3	51,37	35	16	55
22254-30580308011	11	63,2	56,34	39	16	55
22254-30580308012	12	68,2	61,34	44	16	55
22254-30580308013	13	73,2	66,32	49	16	55
22254-30580308014	14	78,2	71,34	54	16	55
22254-30580308015	15	83,2	76,36	59	16	55
22254-30580308016	16	88,3	81,37	64	16	60
22254-30580308017	17	93,3	86,39	69	16	60
22254-30580308018	18	98,3	91,42	74	16	60
22254-30580308019	19	103,3	96,45	79	16	60
22254-30580308020	20	108,4	101,49	84	16	60
22254-30580308021	21	113,4	106,52	85	20	60
22254-30580308022	22	118,4	111,55	90	20	60
22254-30580308023	23	123,5	116,58	95	20	60
22254-30580308024	24	128,5	121,62	100	20	60
22254-30580308025	25	133,6	126,66	105	20	60
22254-30580308026	26	138,6	131,7	110	20	60
22254-30580308027	27	143,6	136,75	110	20	60
22254-30580308028	28	148,7	141,78	115	20	60

Order No.	No. of teeth	D	D1	D2	D3 max.	L
22254-30580308029	29	153,7	146,83	115	20	60
22254-30580308030	30	158,8	151,87	120	20	60
22254-30580308031	31	163,8	156,92	120	20	60
22254-30580308032	32	168,9	161,95	120	20	60
22254-30580308033	33	173,9	167	120	20	60
22254-30580308034	34	178,9	172,05	120	20	60
22254-30580308035	35	184	177,1	120	20	60
22254-30580308036	36	189	182,15	120	25	60
22254-30580308037	37	194,1	187,2	120	25	60
22254-30580308038	38	199,1	192,24	120	25	60
22254-30580308039	39	204,2	197,29	120	25	60
22254-30580308040	40	209,2	202,34	120	25	60
22254-30580308045	45	236	227,58	136	25	74
22254-30580308050	50	261,2	252,82	136	25	74
22254-30580308057	57	296,6	288,18	136	25	74
22254-30580308060	60	311,7	303,32	136	25	74
22254-30580308076	76	392,5	384,16	145	30	75
22254-30580308095	95	488,5	480,14	145	30	75

Sprockets triplex 3/4" x 7/16"

DIN ISO 606



Material:
Steel C45.

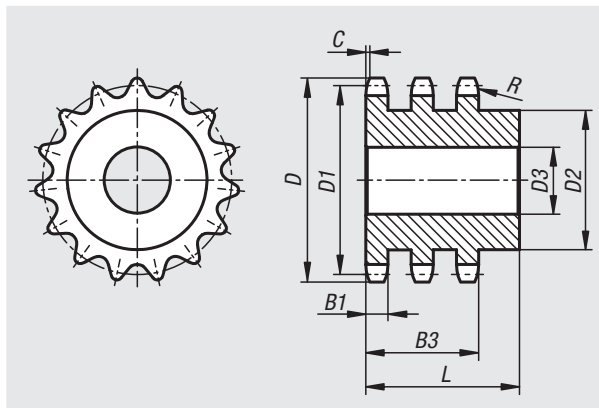
Version:
Bright, not hardened.

Sample order:
nlm 22254-30340716008

Note:

Sprockets with hub one side for DIN ISO 606 roller chains.

The sprockets have a centre bore or are pre-drilled (this can vary due to production methods). For this reason, the dimension D3 max. given in the table is the maximum diameter of the bore that the sprockets are supplied with. This pilot hole/centre bore can be customised with a reamed hole, reamed hole with keyway or a tapped hole by the customer. Alternatively, bushes can be fitted by the customer to reduce the diameter.



Order No.	ISO No.	Pitch inch	Pitch mm	R	C	B1	B3
22254	12 B-3	3/4 x 7/16	19,05 x 11,68	19	2	10,8	49,8

Order No.	No. of teeth	D	D1	D2	D3 max.	L
22254-30340716008	8	58	49,78	31	16	65
22254-30340716009	9	63,9	55,7	37	16	65
22254-30340716010	10	69,8	61,64	42	16	65
22254-30340716011	11	75,8	67,61	47	20	70
22254-30340716012	12	81,8	73,6	53	20	70
22254-30340716013	13	87,8	79,59	59	20	70
22254-30340716014	14	93,8	85,61	65	20	70
22254-30340716015	15	99,8	91,63	71	20	70
22254-30340716016	16	105,8	97,65	77	20	70
22254-30340716017	17	111,9	103,67	83	20	70
22254-30340716018	18	117,9	109,71	89	20	70
22254-30340716019	19	123,9	115,75	95	20	70
22254-30340716020	20	130	121,78	100	20	70
22254-30340716021	21	136	127,82	100	20	70
22254-30340716022	22	142	133,86	100	20	70
22254-30340716023	23	148,1	139,9	110	20	70
22254-30340716024	24	154,1	145,94	110	20	70
22254-30340716025	25	160,2	152	120	20	70
22254-30340716026	26	166,2	158,04	120	20	70
22254-30340716027	27	172,3	164,09	120	20	70
22254-30340716028	28	178,3	170,13	120	20	70

Order No.	No. of teeth	D	D1	D2	D3 max.	L
22254-30340716029	29	184,4	176,19	120	20	70
22254-30340716030	30	190,4	182,25	120	20	70
22254-30340716031	31	196,5	188,31	130	25	70
22254-30340716032	32	202,5	194,35	130	25	70
22254-30340716033	33	208,6	200,4	130	25	70
22254-30340716034	34	214,6	206,46	130	25	70
22254-30340716035	35	220,7	212,52	130	25	70
22254-30340716036	36	226,8	218,58	130	25	70
22254-30340716037	37	232,8	224,64	130	25	70
22254-30340716038	38	238,9	230,69	130	25	70
22254-30340716039	39	244,9	236,75	130	25	70
22254-30340716040	40	251	242,81	130	25	70
22254-30340716045	45	283,2	273,1	140	25	72
22254-30340716050	50	313,5	303,39	140	25	72
22254-30340716057	57	355,9	345,81	140	30	75
22254-30340716060	60	374,1	363,99	140	30	75
22254-30340716076	76	471,1	460,99	150	30	75
22254-30340716095	95	586,2	576,17	150	30	75

Sprockets triplex 1" x 17,02 mm

DIN ISO 606



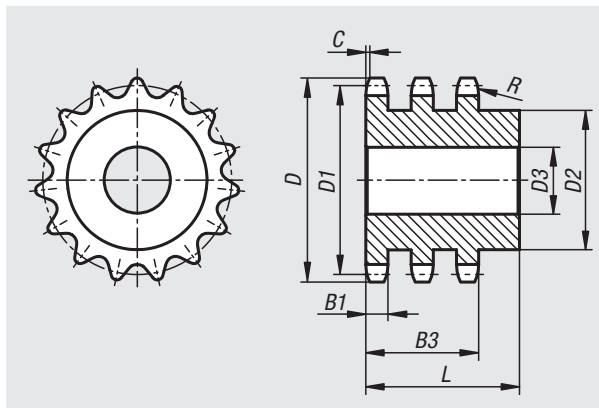
Material:
Steel C45.

Version:
Bright, not hardened.

Sample order:
nlm 22254-31001702008

Note:

Sprockets with hub one side for DIN ISO 606 roller chains.
The sprockets have a centre bore or are pre-drilled (this can vary due to production methods). For this reason, the dimension D3 max. given in the table is the maximum diameter of the bore that the sprockets are supplied with. This pilot hole/centre bore can be customised with a reamed hole, reamed hole with keyway or a tapped hole by the customer. Alternatively, bushes can be fitted by the customer to reduce the diameter.



Order No.	ISO No.	Pitch inch	Pitch mm	R	C	B1	B3
22254	16 B-3	1 x 17,02mm	25,4 x 17,02	26	2,5	15,8	79,6

Order No.	No. of teeth	D	D1	D2	D3 max.	L
22254-31001702008	8	77,9	66,37	42	20	95
22254-31001702009	9	85,8	74,27	50	20	95
22254-31001702010	10	93,8	82,19	56	20	95
22254-31001702011	11	101,7	90,14	64	25	100
22254-31001702012	12	109,7	98,14	72	25	100
22254-31001702013	13	117,7	106,12	80	25	100
22254-31001702014	14	125,7	114,15	88	25	100
22254-31001702015	15	133,7	122,17	96	25	100
22254-31001702016	16	141,8	130,2	104	25	100
22254-31001702017	17	149,8	138,22	112	25	100
22254-31001702018	18	157,8	146,28	120	25	100
22254-31001702019	19	165,9	154,33	128	25	100
22254-31001702020	20	173,9	162,38	130	25	100
22254-31001702021	21	182	170,43	130	25	100
22254-31001702022	22	190,1	178,48	130	25	100
22254-31001702023	23	198,1	186,53	130	25	100
22254-31001702024	24	206,2	194,59	130	25	100
22254-31001702025	25	214,2	202,66	130	25	100
22254-31001702026	26	222,3	210,72	130	30	100
22254-31001702027	27	230,4	218,79	130	30	100
22254-31001702028	28	238,4	226,85	130	30	100

Order No.	No. of teeth	D	D1	D2	D3 max.	L
22254-31001702029	29	246,5	234,92	130	30	100
22254-31001702030	30	254,6	243	130	30	100
22254-31001702031	31	262,6	251,08	140	30	100
22254-31001702032	32	270,7	259,13	140	30	100
22254-31001702033	33	278,8	267,21	140	30	100
22254-31001702034	34	286,9	275,28	140	30	100
22254-31001702035	35	294,9	283,36	140	30	100
22254-31001702036	36	303	291,44	140	30	100
22254-31001702038	38	319,2	307,59	140	30	100
22254-31001702040	40	335,3	323,73	140	30	100
22254-31001702045	45	377,9	364,12	160	30	110
22254-31001702050	50	418,3	404,52	160	30	110
22254-31001702057	57	474,9	461,07	180	40	112
22254-31001702076	76	628,4	614,65	180	40	112
22254-31001702095	95	782	768,22	180	40	112