

Sprockets duplex 8.0 mm x 3.0 mm

DIN ISO 606



Material:
Steel C45.

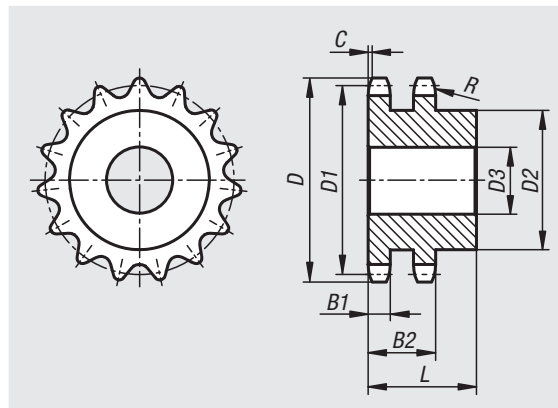
Version:
Bright, not hardened.

Sample order:
nlm 22253-20800030008

Note:

Sprockets with hub one side for DIN ISO 606 roller chains.

The sprockets have a centre bore or are pre-drilled (this can vary due to production methods). For this reason, the dimension D3 max. given in the table is the maximum diameter of the bore that the sprockets are supplied with. This pilot hole/centre bore can be customised with a reamed hole, reamed hole with keyway or a tapped hole by the customer. Alternatively, bushes can be fitted by the customer to reduce the diameter.

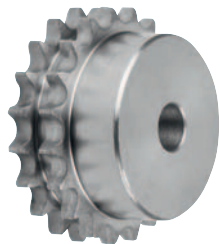


Order No.	ISO No.	Pitch mm	R	C	B1	B2
22253	05 B-2	8,0 x 3,0	8	0,8	2,7	8,3

Order No.	No. of teeth	D	D1	D2	D3 max.	L
22253-20800030008	8	23,4	20,9	12	6	18
22253-20800030009	9	25,9	23,39	15	6	18
22253-20800030010	10	28,4	25,89	17	8	18
22253-20800030011	11	31	28,39	19	8	18
22253-20800030012	12	33,7	30,91	21	8	18
22253-20800030013	13	36,7	33,42	24	8	18
22253-20800030014	14	39,2	35,95	26	8	18
22253-20800030015	15	41,7	38,48	29	8	18
22253-20800030016	16	44,2	41,01	32	10	20
22253-20800030017	17	46,7	43,53	34	10	20
22253-20800030018	18	49,2	46,07	37	10	20
22253-20800030019	19	51,7	48,61	39	10	20
22253-20800030020	20	54,2	51,14	40	10	20
22253-20800030021	21	57,2	53,67	45	12	20
22253-20800030022	22	59,4	56,21	45	12	20
22253-20800030023	23	62,2	58,75	45	12	20
22253-20800030024	24	64,7	61,29	45	12	20
22253-20800030025	25	67,2	63,83	45	12	20
22253-20800030026	26	69,7	66,37	50	12	22
22253-20800030027	27	72,3	68,91	50	12	22
22253-20800030030	30	80,2	76,53	50	12	22
22253-20800030032	32	85,2	81,61	60	12	22
22253-20800030035	35	92,7	89,24	60	12	22
22253-20800030036	36	95,2	91,79	60	12	22
22253-20800030038	38	100,2	96,88	60	12	22
22253-20800030040	40	105,7	101,97	60	12	22

Sprockets duplex 3/8" x 7/32"

DIN ISO 606



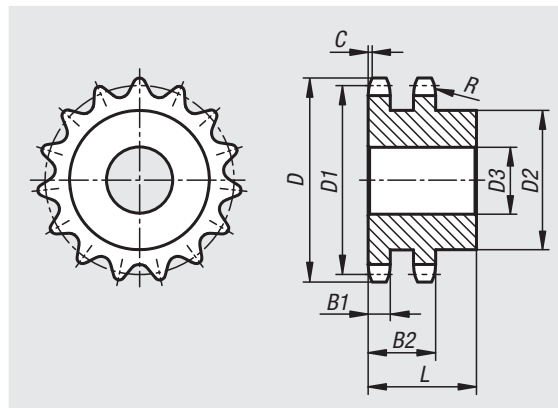
Material:
Steel C45.

Version:
Bright, not hardened.

Sample order:
nlm 22253-20380732008

Note:

Sprockets with hub one side for DIN ISO 606 roller chains.
The sprockets have a centre bore or are pre-drilled (this can vary due to production methods).
For this reason, the dimension D3 max. given in the table is the maximum diameter of the bore that the sprockets are supplied with. This pilot hole/centre bore can be customised with a reamed hole, reamed hole with keyway or a tapped hole by the customer. Alternatively, bushes can be fitted by the customer to reduce the diameter.



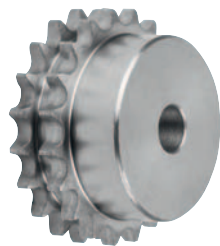
Order No.	ISO No.	Pitch inch	Pitch mm	R	C	B1	B2
22253	06 B-2	3/8 x 7/32	9,525 x 5,72	10	1	5,2	15,4

Order No.	No. of teeth	D	D1	D2	D3 max.	L max.
22253-20380732008	8	28,6	24,89	15	8	-
22253-20380732009	9	31,5	27,85	18	8	-
22253-20380732010	10	34,5	30,82	20	8	-
22253-20380732011	11	37,5	33,8	22	10	-
22253-20380732012	12	40,5	36,8	25	10	-
22253-20380732013	13	43,5	39,8	28	10	-
22253-20380732014	14	46,5	42,8	31	10	-
22253-20380732015	15	49,5	45,81	34	10	-
22253-20380732016	16	52,5	48,82	37	12	-
22253-20380732017	17	55,5	51,83	40	12	-
22253-20380732018	18	58,6	54,85	43	12	-
22253-20380732019	19	61,6	57,87	46	12	-
22253-20380732020	20	64,6	60,89	49	12	-
22253-20380732021	21	67,6	63,91	52	16	-
22253-20380732022	22	70,6	66,93	55	16	-
22253-20380732023	23	73,7	69,95	58	16	-
22253-20380732024	24	76,7	72,97	61	16	-
22253-20380732025	25	79,7	76	64	16	-
22253-20380732026	26	82,7	79,02	67	16	-
22253-20380732027	27	85,7	82,04	70	16	-
22253-20380732028	28	88,8	85,07	73	16	-

Order No.	No. of teeth	D	D1	D2	D3 max.	L max.
22253-20380732029	29	91,8	88,09	76	16	-
22253-20380732030	30	94,8	91,12	79	16	-
22253-20380732031	31	97,9	94,15	80	16	-
22253-20380732032	32	100,9	97,17	80	16	-
22253-20380732033	33	103,9	100,2	80	16	-
22253-20380732034	34	106,9	103,23	80	16	-
22253-20380732035	35	110	106,26	80	16	-
22253-20380732036	36	113	109,29	90	16	-
22253-20380732037	37	116	112,32	90	16	-
22253-20380732038	38	119	115,34	90	16	-
22253-20380732039	39	122,1	118,37	90	16	-
22253-20380732040	40	125,1	121,4	90	16	-
22253-20380732042	42	132,1	127,46	88	20	-
22253-20380732045	45	141,1	136,54	88	20	-
22253-20380732048	48	150,2	145,64	88	20	-
22253-20380732050	50	156,3	151,69	88	20	-
22253-20380732057	57	177,5	172,91	88	20	-
22253-20380732060	60	186,6	181,99	88	20	-
22253-20380732076	76	235,1	230,49	88	25	-
22253-20380732095	95	292,7	288,08	108	25	-

Sprockets duplex 1/2" x 5/16"

DIN ISO 606

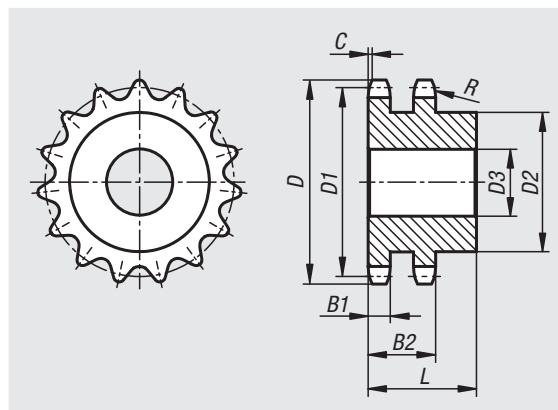


Material:
Steel C45.

Version:
Bright, not hardened.

Sample order:
nlm 22253-20120516008

Note:
Sprockets with hub one side for DIN ISO 606 roller chains.
The sprockets have a centre bore or are pre-drilled (this can vary due to production methods). For this reason, the dimension D3 max. given in the table is the maximum diameter of the bore that the sprockets are supplied with. This pilot hole/centre bore can be customised with a reamed hole, reamed hole with keyway or a tapped hole by the customer. Alternatively, bushes can be fitted by the customer to reduce the diameter.



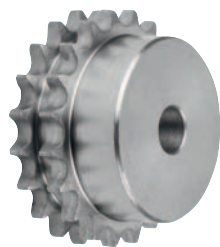
Order No.	ISO No.	Pitch inch	Pitch mm	R	C	B1	B2
22253	08 B-2	1/2X5/16	12,7 x 7,75	13	1,3	7	21

Order No.	No. of teeth	D	D1	D2	D3 max.	L max.
22253-20120516008	8	38	33,18	20	10	32
22253-20120516009	9	42	37,13	24	10	32
22253-20120516010	10	45,9	41,1	28	10	32
22253-20120516011	11	49,9	45,07	32	12	35
22253-20120516012	12	53,9	49,07	35	12	35
22253-20120516013	13	57,9	53,06	38	12	35
22253-20120516014	14	61,9	57,07	42	12	35
22253-20120516015	15	65,9	61,09	46	12	35
22253-20120516016	16	69,9	65,1	50	16	38
22253-20120516017	17	74	69,11	54	16	38
22253-20120516018	18	78	73,14	58	16	38
22253-20120516019	19	82	77,16	62	16	38
22253-20120516020	20	86	81,19	66	16	38
22253-20120516021	21	90,1	85,22	70	16	40
22253-20120516022	22	94,1	89,24	70	16	40
22253-20120516023	23	98,1	93,27	70	16	40
22253-20120516024	24	102,1	97,29	75	16	40
22253-20120516025	25	106,2	101,33	80	16	40
22253-20120516026	26	110,2	105,36	85	16	40
22253-20120516027	27	114,2	109,4	85	16	40
22253-20120516028	28	118,3	113,42	90	16	40

Order No.	No. of teeth	D	D1	D2	D3 max.	L max.
22253-20120516029	29	122,3	117,46	95	16	40
22253-20120516030	30	126,3	121,5	100	16	40
22253-20120516031	31	130,4	125,54	100	20	40
22253-20120516032	32	134,4	129,56	100	20	40
22253-20120516033	33	138,4	133,6	100	20	40
22253-20120516034	34	142,5	137,64	100	20	40
22253-20120516035	35	146,5	141,68	100	20	40
22253-20120516036	36	150,6	145,72	100	20	40
22253-20120516037	37	154,6	149,76	100	20	40
22253-20120516038	38	158,6	153,8	100	20	40
22253-20120516039	39	162,7	157,83	100	20	40
22253-20120516040	40	166,7	161,87	100	20	40
22253-20120516042	42	176,5	169,95	108	20	55
22253-20120516045	45	188,6	182,07	108	20	55
22253-20120516046	46	192,6	186,1	108	20	55
22253-20120516048	48	200,7	194,18	108	20	55
22253-20120516050	50	208,8	202,26	108	20	55
22253-20120516057	57	237,1	230,54	108	25	55
22253-20120516060	60	249,2	242,66	108	25	55
22253-20120516076	76	313,9	307,33	108	25	55
22253-20120516095	95	390,7	384,11	120	25	55

Sprockets duplex 5/8" x 3/8"

DIN ISO 606



Material:
Steel C45.

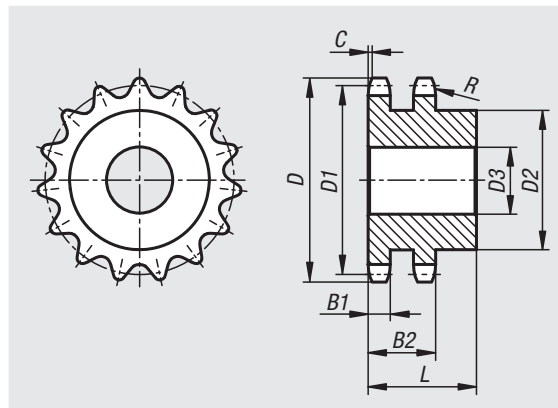
Version:
Bright, not hardened.

Sample order:
nlm 22253-20580308008

Note:

Sprockets with hub one side for DIN ISO 606 roller chains.

The sprockets have a centre bore or are pre-drilled (this can vary due to production methods). For this reason, the dimension D3 max. given in the table is the maximum diameter of the bore that the sprockets are supplied with. This pilot hole/centre bore can be customised with a reamed hole, reamed hole with keyway or a tapped hole by the customer. Alternatively, bushes can be fitted by the customer to reduce the diameter.



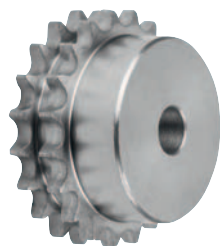
Order No.	ISO No.	Pitch inch	Pitch mm	R	C	B1	B2
22253	10 B-2	5/8 x 3/8	15,875 x 9,65	16	1,6	9	25,5

Order No.	No. of teeth	D	D1	D2	D3 max.	L max.
22253-20580308008	8	48,4	41,48	25	12	-
22253-20580308009	9	53,3	46,42	30	12	-
22253-20580308010	10	58,3	51,37	35	12	-
22253-20580308011	11	63,2	56,34	39	16	-
22253-20580308012	12	68,2	61,34	44	16	-
22253-20580308013	13	73,2	66,32	49	16	-
22253-20580308014	14	78,2	71,34	54	16	-
22253-20580308015	15	83,2	76,36	59	16	-
22253-20580308016	16	88,3	81,37	64	16	-
22253-20580308017	17	93,3	86,39	69	16	-
22253-20580308018	18	98,3	91,42	74	16	-
22253-20580308019	19	103,3	96,45	79	16	-
22253-20580308020	20	108,4	101,49	84	16	-
22253-20580308021	21	113,4	106,52	85	16	-
22253-20580308022	22	118,4	111,55	90	16	-
22253-20580308023	23	123,5	116,58	95	16	-
22253-20580308024	24	128,5	121,62	100	16	-
22253-20580308025	25	133,6	126,66	105	16	-
22253-20580308026	26	138,6	131,7	110	20	-
22253-20580308027	27	143,6	136,75	110	20	-
22253-20580308028	28	148,7	141,78	115	20	-

Order No.	No. of teeth	D	D1	D2	D3 max.	L max.
22253-20580308029	29	153,7	146,83	115	20	-
22253-20580308030	30	158,8	151,87	120	20	-
22253-20580308031	31	163,8	156,92	120	20	-
22253-20580308032	32	168,9	161,95	120	20	-
22253-20580308033	33	173,9	167	120	20	-
22253-20580308034	34	178,9	172,05	120	20	-
22253-20580308035	35	184	177,1	120	20	-
22253-20580308036	36	189	182,15	120	20	-
22253-20580308037	37	194,1	187,2	120	20	-
22253-20580308038	38	199,1	192,24	120	20	-
22253-20580308039	39	204,2	197,29	120	20	-
22253-20580308040	40	209,2	202,34	120	20	-
22253-20580308042	42	220,8	212,44	120	25	-
22253-20580308045	45	236	227,58	120	25	-
22253-20580308046	46	241	236,63	120	25	-
22253-20580308048	48	251,1	242,73	120	25	-
22253-20580308050	50	261,2	252,82	120	25	-
22253-20580308057	57	296,6	288,18	120	25	-
22253-20580308060	60	311,7	303,32	120	25	-
22253-20580308076	76	392,5	384,16	120	25	-
22253-20580308095	95	488,5	480,14	145	30	-

Sprockets duplex 3/4" x 7/16"

DIN ISO 606



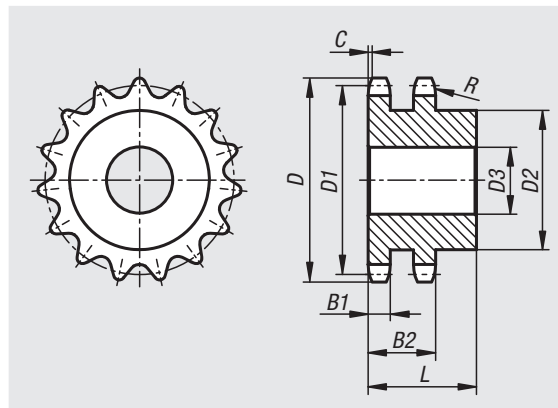
Material:
Steel C45.

Version:
Bright, not hardened.

Sample order:
nlm 22253-20340716008

Note:

Sprockets with hub one side for DIN ISO 606 roller chains.
The sprockets have a centre bore or are pre-drilled (this can vary due to production methods).
For this reason, the dimension D3 max. given in the table is the maximum diameter of the bore that the sprockets are supplied with. This pilot hole/centre bore can be customised with a reamed hole, reamed hole with keyway or a tapped hole by the customer. Alternatively, bushes can be fitted by the customer to reduce the diameter.



Order No.	ISO No.	Pitch inch	Pitch mm	R	C	B1	B2
22253	12 B-2	3/4 x 7/16	19,05 x 11,68	19	2	10,8	30,3

Order No.	No. of teeth	D	D1	D2	D3 max.	L max.
22253-20340716008	8	58	49,78	31	12	-
22253-20340716009	9	63,9	55,7	37	12	-
22253-20340716010	10	69,8	61,64	42	12	-
22253-20340716011	11	75,8	67,61	47	16	-
22253-20340716012	12	81,8	73,6	53	16	-
22253-20340716013	13	87,8	79,59	59	16	-
22253-20340716014	14	93,8	85,61	65	16	-
22253-20340716015	15	99,8	91,63	71	16	-
22253-20340716016	16	105,8	97,65	77	20	-
22253-20340716017	17	111,9	103,67	83	20	-
22253-20340716018	18	117,9	109,71	89	20	-
22253-20340716019	19	123,9	115,75	95	20	-
22253-20340716020	20	130	121,78	100	20	-
22253-20340716021	21	136	127,82	100	20	-
22253-20340716022	22	142	133,86	100	20	-
22253-20340716023	23	148,1	139,9	110	20	-
22253-20340716024	24	154,1	145,94	110	20	-
22253-20340716025	25	160,2	152	120	20	-
22253-20340716026	26	166,2	158,04	120	20	-
22253-20340716027	27	172,3	164,09	120	20	-
22253-20340716028	28	178,3	170,13	120	20	-

Order No.	No. of teeth	D	D1	D2	D3 max.	L max.
22253-20340716029	29	184,4	176,19	120	20	-
22253-20340716030	30	190,4	182,25	120	20	-
22253-20340716031	31	196,5	188,31	120	20	-
22253-20340716032	32	202,5	194,35	120	20	-
22253-20340716033	33	208,6	200,4	120	20	-
22253-20340716034	34	214,6	206,46	120	20	-
22253-20340716035	35	220,7	212,52	120	20	-
22253-20340716036	36	226,8	218,58	120	25	-
22253-20340716037	37	232,8	224,64	120	25	-
22253-20340716038	38	238,9	230,69	120	25	-
22253-20340716039	39	244,9	236,75	120	25	-
22253-20340716040	40	251	242,81	120	25	-
22253-20340716042	42	265	254,93	136	25	-
22253-20340716045	45	283,2	273,1	136	25	-
22253-20340716046	46	289,2	279,16	136	25	-
22253-20340716048	48	301,4	291,27	136	25	-
22253-20340716050	50	313,5	303,39	136	25	-
22253-20340716057	57	355,9	345,81	136	25	-
22253-20340716060	60	374,1	363,99	136	25	-
22253-20340716076	76	471,1	460,99	145	30	-
22253-20340716095	95	586,2	576,17	145	30	-

Sprockets duplex 1" x 17,02 mm

DIN ISO 606



Material:
Steel C45.

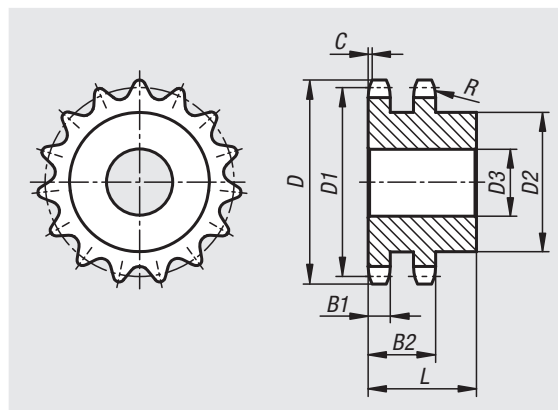
Version:
Bright, not hardened.

Sample order:
nlm 22253-21001702008

Note:

Sprockets with hub one side for DIN ISO 606 roller chains.

The sprockets have a centre bore or are pre-drilled (this can vary due to production methods). For this reason, the dimension D3 max. given in the table is the maximum diameter of the bore that the sprockets are supplied with. This pilot hole/centre bore can be customised with a reamed hole, reamed hole with keyway or a tapped hole by the customer. Alternatively, bushes can be fitted by the customer to reduce the diameter.



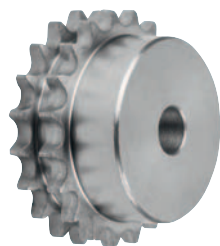
Order No.	ISO No.	Pitch inch	Pitch mm	R	C	B1	B2
22253	16 B-2	1 x 17,02mm	25,4 x 17,02	26	2,5	15,8	47,7

Order No.	No. of teeth	D	D1	D2	D3 max.	L max.
22253-21001702008	8	77,9	66,37	42	20	-
22253-21001702009	9	85,8	74,27	50	20	-
22253-21001702010	10	93,8	82,19	56	20	-
22253-21001702011	11	101,7	90,14	64	20	-
22253-21001702012	12	109,7	98,14	72	20	-
22253-21001702013	13	117,7	106,12	80	20	-
22253-21001702014	14	125,7	114,15	88	20	-
22253-21001702015	15	133,7	122,17	96	20	-
22253-21001702016	16	141,8	130,2	104	20	-
22253-21001702017	17	149,8	138,22	112	20	-
22253-21001702018	18	157,8	146,28	120	20	-
22253-21001702019	19	165,9	154,33	128	20	-
22253-21001702020	20	173,9	162,38	130	20	-
22253-21001702021	21	182	170,43	130	25	-
22253-21001702022	22	190,1	178,48	130	25	-
22253-21001702023	23	198,1	186,53	130	25	-
22253-21001702024	24	206,2	194,59	130	25	-
22253-21001702025	25	214,2	202,66	130	25	-
22253-21001702026	26	222,3	210,72	130	25	-
22253-21001702027	27	230,4	218,79	130	25	-
22253-21001702028	28	238,4	226,85	130	25	-

Order No.	No. of teeth	D	D1	D2	D3 max.	L max.
22253-21001702029	29	246,5	234,92	130	25	-
22253-21001702030	30	254,6	243	130	25	-
22253-21001702031	31	262,6	251,08	140	25	-
22253-21001702032	32	270,7	259,13	140	25	-
22253-21001702033	33	278,8	267,21	140	25	-
22253-21001702034	34	286,9	275,28	140	25	-
22253-21001702035	35	294,9	283,36	140	25	-
22253-21001702036	36	303	291,44	140	25	-
22253-21001702037	37	311,1	299,51	140	25	-
22253-21001702038	38	319,2	307,59	140	25	-
22253-21001702039	39	327,2	315,67	140	25	-
22253-21001702040	40	335,3	323,73	140	25	-
22253-21001702042	42	353,7	339,9	140	25	-
22253-21001702045	45	377,9	364,12	140	25	-
22253-21001702046	46	386	372,21	140	25	-
22253-21001702048	48	402,1	388,36	140	25	-
22253-21001702050	50	418,3	404,52	140	25	-
22253-21001702057	57	474,9	461,07	160	40	-
22253-21001702060	60	499,1	485,32	160	40	-
22253-21001702076	76	628,4	614,65	160	40	-
22253-21001702095	95	782	768,22	180	40	-

Sprockets duplex 1 1/4" x 3/4"

DIN ISO 606

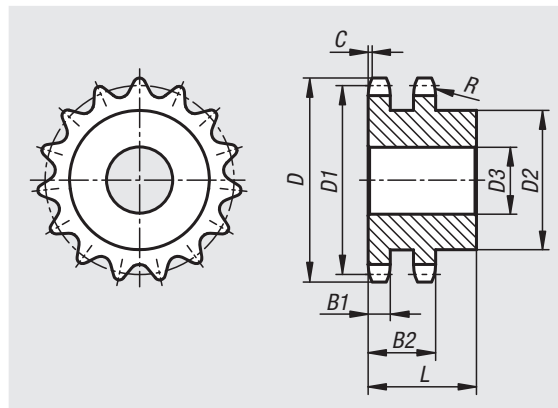


Material:
Steel C45.

Version:
Bright, not hardened.

Sample order:
nlm 22253-21140340008

Note:
Sprockets with hub one side for DIN ISO 606 roller chains.
The sprockets have a centre bore or are pre-drilled (this can vary due to production methods).
For this reason, the dimension D3 max. given in the table is the maximum diameter of the bore that the sprockets are supplied with. This pilot hole/centre bore can be customised with a reamed hole, reamed hole with keyway or a tapped hole by the customer. Alternatively, bushes can be fitted by the customer to reduce the diameter.



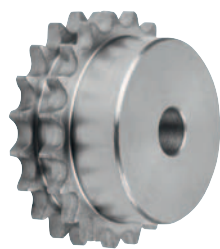
Order No.	ISO No.	Pitch inch	Pitch mm	R	C	B1	B2
22253	20 B-2	1 1/4X3/4	31,75 x 19,56	32	3,5	18,2	54,6

Order No.	No. of teeth	D	D1	D2	D3 max.	L max.
22253-21140340008	8	96	82,96	53	20	-
22253-21140340009	9	106,5	92,84	63	20	-
22253-21140340010	10	117	102,74	70	20	-
22253-21140340011	11	127	112,68	80	25	-
22253-21140340012	12	137	122,68	90	25	-
22253-21140340013	13	147,5	132,65	100	25	-
22253-21140340014	14	157,6	142,68	110	25	-
22253-21140340015	15	167,7	152,72	120	25	-
22253-21140340016	16	177,7	162,75	120	30	-
22253-21140340017	17	187,7	172,78	120	30	-
22253-21140340018	18	197,8	182,85	120	30	-
22253-21140340019	19	207,9	192,91	120	30	-
22253-21140340020	20	217,9	202,98	120	30	-
22253-21140340021	21	228	213,04	140	30	-
22253-21140340022	22	238,1	223,11	140	30	-
22253-21140340023	23	248,2	233,17	140	30	-
22253-21140340024	24	258,3	243,23	140	30	-
22253-21140340025	25	268,4	253,33	140	30	-
22253-21140340026	26	278,4	263,4	150	30	-
22253-21140340027	27	288,5	273,48	150	30	-
22253-21140340028	28	298,5	283,56	150	30	-

Order No.	No. of teeth	D	D1	D2	D3 max.	L max.
22253-21140340029	29	308,6	293,65	150	30	-
22253-21140340030	30	318,7	303,75	150	30	-
22253-21140340031	31	328,8	313,85	150	30	-
22253-21140340032	32	338,9	323,91	150	30	-
22253-21140340034	34	359,1	344,1	150	30	-
22253-21140340035	35	369,2	354,2	150	30	-
22253-21140340036	36	379,2	364,3	150	30	-
22253-21140340038	38	399,4	384,49	150	30	-
22253-21140340040	40	419,6	404,66	150	30	-
22253-21140340045	45	471,1	455,17	160	30	-
22253-21140340046	46	481,2	465,26	160	30	-
22253-21140340050	50	521,6	505,65	160	30	-
22253-21140340057	57	592,3	576,36	180	40	-
22253-21140340076	76	784,3	768,32	180	40	-
22253-21140340095	95	976,2	960,28	200	40	-

Sprockets duplex 1 1/2" x 1"

DIN ISO 606



Material:
Steel C45.

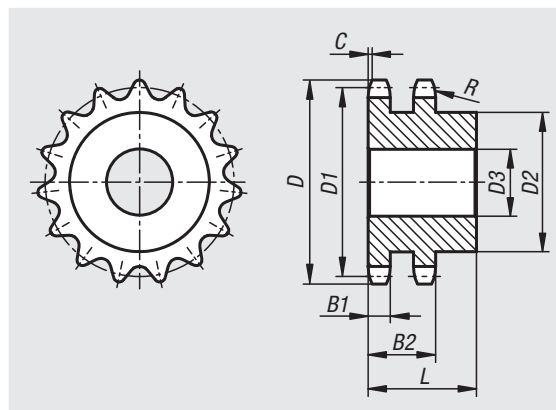
Version:
Bright, not hardened.

Sample order:
nlm 22253-2112100008

Note:

Sprockets with hub one side for DIN ISO 606 roller chains.

The sprockets have a centre bore or are pre-drilled (this can vary due to production methods). For this reason, the dimension D3 max. given in the table is the maximum diameter of the bore that the sprockets are supplied with. This pilot hole/centre bore can be customised with a reamed hole, reamed hole with keyway or a tapped hole by the customer. Alternatively, bushes can be fitted by the customer to reduce the diameter.



Order No.	ISO No.	Pitch inch	Pitch mm	R	C	B1	B2
22253	24 B-2	1 1/2X1	38,1 x 25,4	38	4	23,6	72

Order No.	No. of teeth	D	D1	D2	D3 max.	L max.
22253-2112100008	8	113	99,55	58	25	-
22253-2112100009	9	125	111,4	70	25	-
22253-21121000010	10	137	123,29	80	25	-
22253-21121000011	11	149	135,21	90	25	-
22253-21121000012	12	161	147,22	102	25	-
22253-21121000013	13	173	159,18	114	25	-
22253-21121000014	14	185	171,22	128	25	-
22253-21121000015	15	197	183,26	132	25	-
22253-21121000016	16	209	195,3	136	30	-
22253-21121000017	17	221	207,34	136	30	-
22253-21121000018	18	233	219,42	160	30	-
22253-21121000019	19	245,5	231,49	160	30	-
22253-21121000020	20	257,5	243,57	160	30	-
22253-21121000021	21	270,5	255,65	160	30	-
22253-21121000022	22	282,5	267,73	160	30	-
22253-21121000023	23	294,5	279,8	160	30	-
22253-21121000024	24	307	291,88	160	30	-
22253-21121000025	25	319	304	160	30	-
22253-21121000026	26	331	316,08	160	30	-
22253-21121000027	27	343	328,19	160	30	-
22253-21121000028	28	355	340,27	160	30	-

Order No.	No. of teeth	D	D1	D2	D3 max.	L max.
22253-21121000029	29	367,5	352,38	160	30	-
22253-21121000030	30	379,5	364,5	160	30	-
22253-21121000031	31	391,5	376,62	160	40	-
22253-21121000032	32	403,5	388,69	160	40	-
22253-21121000033	33	415,5	400,81	160	40	-
22253-21121000034	34	428	412,83	160	40	-
22253-21121000035	35	440	425,04	160	40	-
22253-21121000036	36	452	437,16	160	40	-
22253-21121000037	37	464	449,27	160	40	-
22253-21121000038	38	476,5	461,39	160	40	-
22253-21121000040	40	501,5	485,62	160	40	-
22253-21121000045	45	562	546,2	180	40	-
22253-21121000050	50	622,5	606,78	180	40	-
22253-21121000057	57	707,5	691,63	180	40	-
22253-21121000076	76	939	921,98	200	40	-