

Sprockets single 3/8" x 7/32"

DIN ISO 606

**Material:**

Steel C45.

Grey cast iron GG22 from 38 teeth.

Version:

Bright, not hardened.

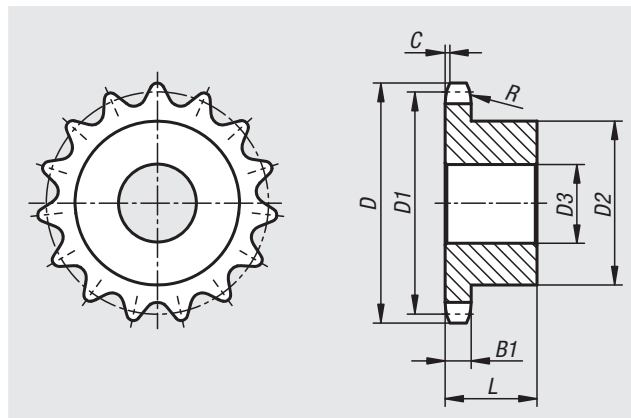
Sample order:

nlm 22252-10380732008

Note:

Sprockets with hub one side for DIN ISO 606 roller chains.

The sprockets have a centre bore or are pre-drilled (this can vary due to production methods). For this reason, the dimension D3 max. given in the table is the maximum diameter of the bore that the sprockets are supplied with. This pilot hole/centre bore can be customised with a reamed hole, reamed hole with keyway or a tapped hole by the customer. Alternatively, bushes can be fitted by the customer to reduce the diameter.



Order No.	ISO No.	Pitch inch	Pitch mm	R	C	B1
22252	06 B-1	3/8X7/32	9,525 x 5,72	10	1	5,3

Order No.	No. of teeth	D	D1	D2	D3 max.	L
22252-10380732008	8	28,6	24,89	15	8	20
22252-10380732009	9	31,5	27,85	18	8	20
22252-10380732010	10	34,5	30,82	20	8	20
22252-10380732011	11	37,5	33,8	22	8	25
22252-10380732012	12	40,5	36,8	25	8	25
22252-10380732013	13	43,5	39,8	28	8	25
22252-10380732014	14	46,5	42,8	31	8	25
22252-10380732015	15	49,5	45,81	34	8	25
22252-10380732016	16	52,5	48,82	37	10	28
22252-10380732017	17	55,5	51,83	40	10	28
22252-10380732018	18	58,6	54,85	43	10	28
22252-10380732019	19	61,6	57,87	45	10	28
22252-10380732020	20	64,6	60,89	46	10	28
22252-10380732021	21	67,6	63,91	48	12	28
22252-10380732022	22	70,6	66,93	50	12	28
22252-10380732023	23	73,7	69,95	52	12	28
22252-10380732024	24	76,7	72,97	54	12	28
22252-10380732025	25	79,7	76	57	12	28
22252-10380732026	26	82,7	79,02	60	12	28
22252-10380732027	27	85,7	82,04	60	12	28

Order No.	No. of teeth	D	D1	D2	D3 max.	L
22252-10380732028	28	88,8	85,07	60	12	28
22252-10380732029	29	91,8	88,09	60	12	28
22252-10380732030	30	94,8	91,12	60	12	30
22252-10380732031	31	97,9	94,15	65	14	30
22252-10380732032	32	100,9	97,17	65	14	30
22252-10380732033	33	103,9	100,2	65	14	30
22252-10380732034	34	106,9	103,23	65	14	30
22252-10380732035	35	110	106,26	65	14	30
22252-10380732036	36	113	109,29	70	16	30
22252-10380732037	37	116	112,32	70	16	30
22252-10380732038	38	119	115,34	70	20	32
22252-10380732045	45	141,1	136,54	70	20	32
22252-10380732057	57	177,5	172,91	70	20	32
22252-10380732076	76	235,1	230,49	70	20	35
22252-10380732095	95	292,7	288,08	80	20	40
22252-10380732114	114	350,3	345,68	80	20	40

Sprockets single 1/2" x 5/16"

DIN ISO 606

**Material:**

Steel C45.

Grey cast iron GG22 from 38 teeth.

Version:

Bright, not hardened.

Sample order:

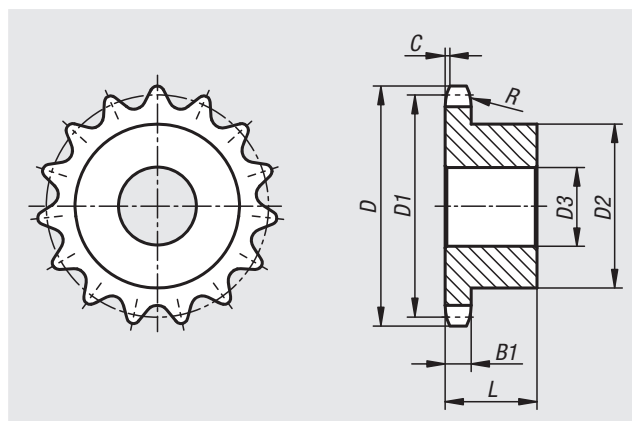
nlm 22252-10120516008

Note:

Sprockets with hub one side for DIN ISO 606 roller chains.

The sprockets have a centre bore or are pre-drilled (this can vary due to production methods). For this reason, the dimension D3 max. given in the table is the maximum diameter of the bore that the sprockets are supplied with.

This pilot hole/centre bore can be customised with a reamed hole, reamed hole with keyway or a tapped hole by the customer. Alternatively, bushes can be fitted by the customer to reduce the diameter.



Order No.	ISO No.	Pitch inch	Pitch mm	R	C	B1
22252	08 B-1	1/2X5/16	12,7 x 7,75	13	1,3	7,2

Order No.	No. of teeth	D	D1	D2	D3 max.	L
22252-10120516008	8	38	33,18	20	10	25
22252-10120516009	9	42	37,13	24	10	25
22252-10120516010	10	45,9	41,1	26	10	25
22252-10120516011	11	49,9	45,07	29	10	25
22252-10120516012	12	53,9	49,07	33	10	28
22252-10120516013	13	57,9	53,06	37	10	28
22252-10120516014	14	61,9	57,07	41	10	28
22252-10120516015	15	65,9	61,09	45	10	28
22252-10120516016	16	69,9	65,1	50	12	28
22252-10120516017	17	74	69,11	52	12	28
22252-10120516018	18	78	73,14	56	12	28
22252-10120516019	19	82	77,16	60	12	28
22252-10120516020	20	86	81,19	64	12	28
22252-10120516021	21	90,1	85,22	68	14	28
22252-10120516022	22	94,1	89,24	70	14	28
22252-10120516023	23	98,1	93,27	70	14	28
22252-10120516024	24	102,1	97,29	70	14	28
22252-10120516025	25	106,2	101,33	70	14	28
22252-10120516026	26	110,2	105,36	70	16	30
22252-10120516027	27	114,2	109,4	70	16	30

Order No.	No. of teeth	D	D1	D2	D3 max.	L
22252-10120516028	28	118,3	113,42	70	16	30
22252-10120516029	29	122,3	117,46	80	16	30
22252-10120516030	30	126,3	121,5	80	16	30
22252-10120516031	31	130,4	125,54	90	16	30
22252-10120516032	32	134,4	129,56	90	16	30
22252-10120516033	33	138,4	133,6	90	16	30
22252-10120516034	34	142,5	137,64	90	16	30
22252-10120516035	35	146,5	141,68	90	16	30
22252-10120516036	36	150,6	145,72	90	16	35
22252-10120516037	37	154,6	149,76	90	16	35
22252-10120516038	38	158,6	153,8	70	24	40
22252-10120516045	45	188,6	182,07	70	24	40
22252-10120516057	57	237,1	230,54	70	24	40
22252-10120516076	76	313,9	307,33	80	24	40
22252-10120516095	95	390,7	384,11	80	24	45
22252-10120516114	114	467,4	460,9	80	24	45

Sprockets single 5/8" x 3/8"

DIN ISO 606

**Material:**

Steel C45.

Grey cast iron GG22 from 38 teeth.

Version:

Bright, not hardened.

Sample order:

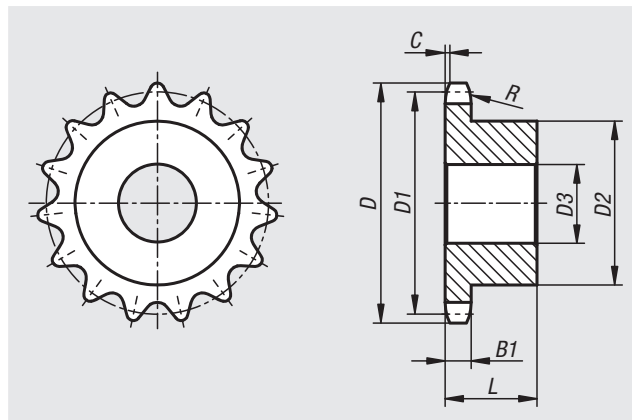
nlm 22252-10580308008

Note:

Sprockets with hub one side for DIN ISO 606 roller chains.

The sprockets have a centre bore or are pre-drilled (this can vary due to production methods). For this reason, the dimension D3 max. given in the table is the maximum diameter of the bore that the sprockets are supplied with.

This pilot hole/centre bore can be customised with a reamed hole, reamed hole with keyway or a tapped hole by the customer. Alternatively, bushes can be fitted by the customer to reduce the diameter.



Order No.	ISO No.	Pitch inch	Pitch mm	R	C	B1
22252	10 B-1	5/8X3/8	15,875 x 9,65	16	1,6	9,1

Order No.	No. of teeth	D	D1	D2	D3 max.	L
22252-10580308008	8	48,4	41,48	25	10	25
22252-10580308009	9	53,3	46,42	30	10	25
22252-10580308010	10	58,3	51,37	35	10	25
22252-10580308011	11	63,2	56,34	37	12	30
22252-10580308012	12	68,2	61,34	42	12	30
22252-10580308013	13	73,2	66,32	47	12	30
22252-10580308014	14	78,2	71,34	52	12	30
22252-10580308015	15	83,2	76,36	57	12	30
22252-10580308016	16	88,3	81,37	60	12	30
22252-10580308017	17	93,3	86,39	60	12	30
22252-10580308018	18	98,3	91,42	70	14	30
22252-10580308019	19	103,3	96,45	70	14	30
22252-10580308020	20	108,4	101,49	75	14	30
22252-10580308021	21	113,4	106,52	75	16	30
22252-10580308022	22	118,4	111,55	80	16	30
22252-10580308023	23	123,5	116,58	80	16	30
22252-10580308024	24	128,5	121,62	80	16	30
22252-10580308025	25	133,6	126,66	80	16	30
22252-10580308026	26	138,6	131,7	85	20	35
22252-10580308027	27	143,6	136,75	85	20	35

Order No.	No. of teeth	D	D1	D2	D3 max.	L
22252-10580308028	28	148,7	141,78	90	20	35
22252-10580308029	29	153,7	146,83	90	20	35
22252-10580308030	30	158,8	151,87	90	20	35
22252-10580308031	31	163,8	156,92	95	20	35
22252-10580308032	32	168,9	161,95	95	20	35
22252-10580308033	33	173,9	167	95	20	35
22252-10580308034	34	178,9	172,05	95	20	35
22252-10580308035	35	184	177,1	95	20	35
22252-10580308036	36	189	182,15	100	20	35
22252-10580308037	37	194,1	187,2	100	20	35
22252-10580308038	38	199,1	192,24	80	24	40
22252-10580308045	45	236	227,58	80	24	40
22252-10580308057	57	296,6	288,18	90	24	45
22252-10580308076	76	392,5	384,16	90	24	50
22252-10580308095	95	488,5	480,14	100	24	56
22252-10580308114	114	584,5	576,13	100	24	56

Sprockets single 3/4" x 7/16"

DIN ISO 606

**Material:**

Steel C45.

Grey cast iron GG22 from 38 teeth.

Version:

Bright, not hardened.

Sample order:

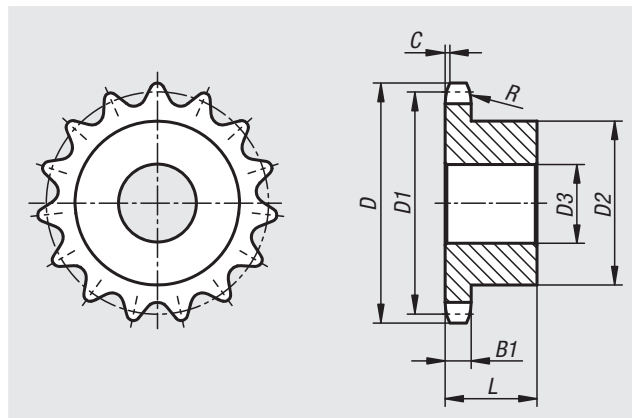
nlm 22252-10340716008

Note:

Sprockets with hub one side for DIN ISO 606 roller chains.

The sprockets have a centre bore or are pre-drilled (this can vary due to production methods). For this reason, the dimension D3 max. given in the table is the maximum diameter of the bore that the sprockets are supplied with.

This pilot hole/centre bore can be customised with a reamed hole, reamed hole with keyway or a tapped hole by the customer. Alternatively, bushes can be fitted by the customer to reduce the diameter.



Order No.	ISO No.	Pitch inch	Pitch mm	R	C	B1
22252	12 B-1	3/4X7/16	19,05 x 11,68	19	2	11,1

Order No.	No. of teeth	D	D1	D2	D3 max.	L
22252-10340716008	8	58	49,78	31	12	30
22252-10340716009	9	63,9	55,7	37	12	30
22252-10340716010	10	69,8	61,64	42	12	30
22252-10340716011	11	75,8	67,61	46	16	35
22252-10340716012	12	81,8	73,6	52	16	35
22252-10340716013	13	87,8	79,59	58	16	35
22252-10340716014	14	93,8	85,61	64	16	35
22252-10340716015	15	99,8	91,63	70	16	35
22252-10340716016	16	105,8	97,65	75	16	35
22252-10340716017	17	111,9	103,67	80	16	35
22252-10340716018	18	117,9	109,71	80	16	35
22252-10340716019	19	123,9	115,75	80	16	35
22252-10340716020	20	130	121,78	80	16	35
22252-10340716021	21	136	127,82	90	20	40
22252-10340716022	22	142	133,86	90	20	40
22252-10340716023	23	148,1	139,9	90	20	40
22252-10340716024	24	154,1	145,94	90	20	40
22252-10340716025	25	160,2	152	90	20	40
22252-10340716026	26	166,2	158,04	95	20	40
22252-10340716027	27	172,3	164,09	95	20	40

Order No.	No. of teeth	D	D1	D2	D3 max.	L
22252-10340716028	28	178,3	170,13	95	20	40
22252-10340716029	29	184,4	176,19	95	20	40
22252-10340716030	30	190,4	182,25	95	20	40
22252-10340716031	31	196,5	188,31	95	20	40
22252-10340716032	32	202,5	194,35	95	20	40
22252-10340716033	33	208,6	200,4	95	20	40
22252-10340716034	34	214,6	206,46	95	20	40
22252-10340716035	35	220,7	212,52	95	20	40
22252-10340716036	36	226,8	218,58	100	20	40
22252-10340716037	37	232,8	224,64	100	20	40
22252-10340716038	38	238,9	230,69	100	24	56
22252-10340716045	45	283,2	273,1	100	24	56
22252-10340716057	57	355,9	345,81	100	30	56
22252-10340716076	76	471,1	460,99	100	30	56
22252-10340716095	95	586,2	576,17	100	30	65
22252-10340716114	114	701,4	691,36	100	30	65

Sprockets single 1" x 17.02 mm

DIN ISO 606

**Material:**

Steel C45.

Grey cast iron GG22 from 38 teeth.

Version:

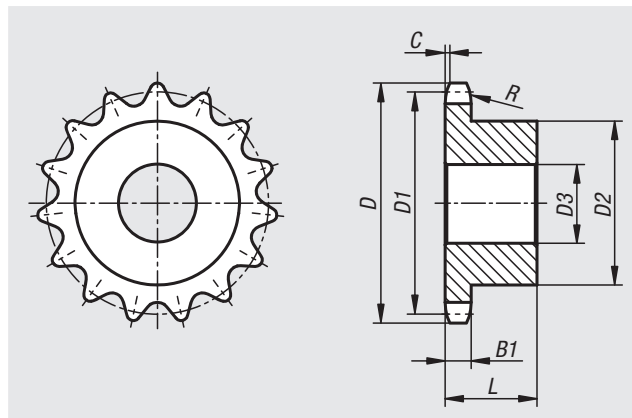
Bright, not hardened.

Sample order:

nlm 22252-11001702008

Note:

Sprockets with hub one side for DIN ISO 606 roller chains. The sprockets have a centre bore or are pre-drilled (this can vary due to production methods). For this reason, the dimension D3 max. given in the table is the maximum diameter of the bore that the sprockets are supplied with. This pilot hole/centre bore can be customised with a reamed hole, reamed hole with keyway or a tapped hole by the customer. Alternatively, bushes can be fitted by the customer to reduce the diameter.



Order No.	ISO No.	Pitch inch	Pitch mm	R	C	B1
22252	16 B-1	1X17,02mm	25,4 x 17,02	26	2,5	16,2

Order No.	No. of teeth	D	D1	D2	D3 max.	L
22252-11001702008	8	77,9	66,37	42	16	35
22252-11001702009	9	85,8	74,27	50	16	35
22252-11001702010	10	93,8	82,19	55	16	35
22252-11001702011	11	101,7	90,14	61	16	40
22252-11001702012	12	109,7	98,14	69	16	40
22252-11001702013	13	117,7	106,12	78	16	40
22252-11001702014	14	125,7	114,15	84	16	40
22252-11001702015	15	133,7	122,17	92	16	40
22252-11001702016	16	141,8	130,2	100	20	45
22252-11001702017	17	149,8	138,22	100	20	45
22252-11001702018	18	157,8	146,28	100	20	45
22252-11001702019	19	165,9	154,33	100	20	45
22252-11001702020	20	173,9	162,38	100	20	45
22252-11001702021	21	182	170,43	110	20	50
22252-11001702022	22	190,1	178,48	110	20	50
22252-11001702023	23	198,1	186,53	110	20	50
22252-11001702024	24	206,2	194,59	110	20	50
22252-11001702025	25	214,2	202,66	110	20	50
22252-11001702026	26	222,3	210,72	120	20	50
22252-11001702027	27	230,4	218,79	120	20	50

Order No.	No. of teeth	D	D1	D2	D3 max.	L
22252-11001702028	28	238,4	226,85	120	20	50
22252-11001702029	29	246,5	234,92	120	20	50
22252-11001702030	30	254,6	243	120	20	50
22252-11001702031	31	262,6	251,08	120	25	50
22252-11001702032	32	270,7	259,13	120	25	50
22252-11001702033	33	278,8	267,21	120	25	50
22252-11001702034	34	286,9	275,28	120	25	50
22252-11001702035	35	294,9	283,36	120	25	50
22252-11001702036	36	303	291,44	120	25	50
22252-11001702037	37	311,1	299,51	120	25	50
22252-11001702038	38	319,2	307,59	110	30	65
22252-11001702045	45	377,9	364,12	125	30	70
22252-11001702057	57	474,9	461,07	125	35	70
22252-11001702076	76	628,4	614,65	140	35	80
22252-11001702095	95	782	768,22	140	40	80
22252-11001702114	114	935,6	921,81	150	40	80