

Roller chains single stainless steel

DIN ISO 606, curved link plate

Material:

Stainless steel 1.4301.

Version:

Pre-stretched.

Sample order:

nIm 22212-0380732525

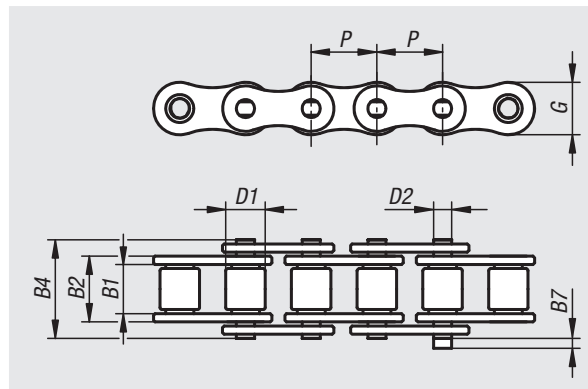
Note for ordering:

Packaging unit: 5 metres with odd number of links. Ending with an inner link at both ends. Connecting links must be ordered separately.

Note:

European-type DIN ISO 606 roller chains with curved link plates (ISO No. 06 with straight links). All chains are pre-stretched. Not lubricated, the chains must be lubricated depending on the application.

The stainless steel roller chains offer excellent corrosion protection and good chemical resistance. They can be used in applications with water and at high temperatures.



B7 = maximum value for links.

Pitch = $P \times B1$

Temperature range:

-20°C to +400°C.

Order No.	ISO No.	Pitch inch	Pitch mm	B2	B4	B7	D1	D2	G	~L	No. of links	Break force F min. kN
22212-0380732525	06 B-1	3/8 x 7/32	9,525 x 5,72	8,53	13,5	3,3	6,35	3,28	8,26	~5000	525	6,6
22212-0120516393	08 B-1	1/2 x 5/16	12,7 x 7,75	11,3	17	3,9	8,51	4,45	11,81	~5000	393	12
22212-0580308315	10 B-1	5/8 x 3/8	15,875 x 9,65	13,28	19,6	4,1	10,16	5,08	14,73	~5000	315	15
22212-0340716263	12 B-1	3/4 x 7/16	19,05 x 11,68	15,62	22,7	4,6	12,07	5,72	16,13	~5000	263	17
22212-1001702197	16 B-1	1 x 17,02mm	25,4 x 17,02	25,45	36,1	5,4	15,88	8,28	21,08	~5000	197	40

Links stainless steel

DIN ISO 606



Material:

Stainless steel 1.4301.

Sample order:

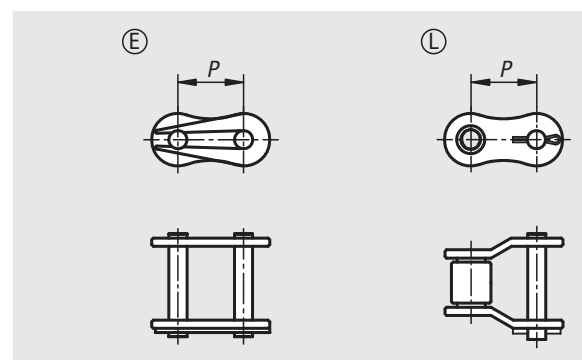
nIm 22212-30380732

Note:

Links for single roller chains acc. to DIN ISO 606.

With Form E, the spring clips must be mounted with the closed end pointing in the direction of travel.

Offset links are required to close the chain if there is an odd number of links. Using offset links reduces the power and tensile strength by 20%.



Form E connecting links

Order No.	ISO No.	P	Suitable for chains
22212-30380732	06 B-1	9,525	3/8 x 7/32
22212-30120516	08 B-1	12,7	1/2 x 5/16
22212-30580308	10 B-1	15,875	5/8 x 3/8
22212-30340716	12 B-1	19,05	3/4 x 7/16
22212-31001702	16 B-1	25,4	1 x 17,02 mm

Form L offset links

Order No.	ISO No.	P	Suitable for chains
22212-40380732	06 B-1	9,525	3/8 x 7/32
22212-40120516	08 B-1	12,7	1/2 x 5/16
22212-40580308	10 B-1	15,875	5/8 x 3/8
22212-40340716	12 B-1	19,05	3/4 x 7/16
22212-41001702	16 B-1	25,4	1 x 17,02 mm