

Roller chains triplex

DIN ISO 606, curved link plate

Material:

Steel.

Version:

Pre-stretched.

Sample order:

nIm 22202-0380732525

Note for ordering:

Packaging unit: 5 metres with odd number of links. Ending with an inner link at both ends. Connecting links must be ordered separately.

Note:

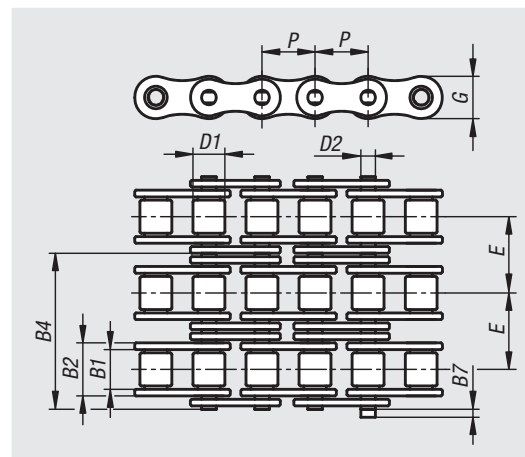
European-type roller chains acc. to DIN ISO 606 with curved link plates (ISO No. 06 with straight links). All chains are pre-stretched. Initial lubrication: anti-corrosion mineral based oil.

B7 = maximum value for links.

Pitch = PxB1

Temperature range:

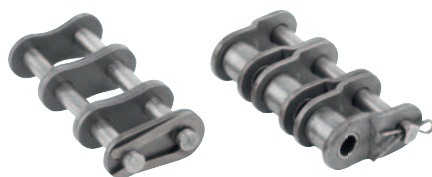
Order No.	ISO No.	Pitch inch	Pitch mm	B2	B4	B7	D1	D2	E	G	~L	No. of links	Break force F min. kN
22202-0380732525	06 B-3	3/8X7/32	9,525 x 5,72	8,53	34	3,3	6,35	3,28	10,24	8,26	~5000	525	24,9
22202-0120516393	08 B-3	1/2X5/16	12,7 x 7,75	11,3	44,9	3,9	8,51	4,45	13,92	11,81	~5000	393	44,5
22202-0580308315	10 B-3	5/8X3/8	15,875 x 9,65	13,28	52,8	4,1	10,16	5,08	16,59	14,73	~5000	315	66,7
22202-0340716263	12 B-3	3/4X7/16	19,05 x 11,68	15,62	61,7	4,6	12,07	5,72	19,46	16,13	~5000	263	86,7
22202-1001702197	16 B-3	1X17,02mm	25,4 x 17,02	25,45	99,9	5,4	15,88	8,28	31,88	21,08	~5000	197	160



-20°C to +120°C.

Connecting links triplex

DIN ISO 606



Material:

Steel.

Sample order:

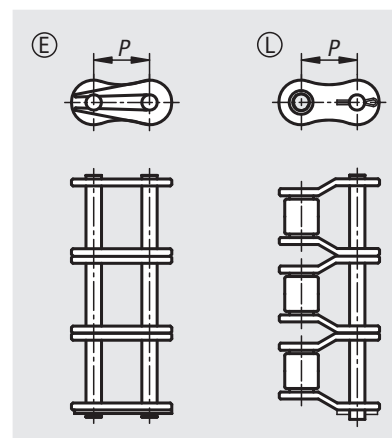
nIm 22202-30380732

Note:

Connecting links for DIN ISO 606 triplex roller chains.

By Form E, the spring clip must be mounted with the closed end facing in the direction of movement.

Offset links are required to close the chain if there is an odd number of links. Using offset links reduces the power and tensile strength by 20%.



Form E connecting links

Order No.	ISO No.	P	Suitable for chains
22202-30380732	06 B-3	9,525	3/8 x 7/32
22202-30120516	08 B-3	12,7	1/2 x 5/16
22202-30580308	10 B-3	15,875	5/8 x 3/8
22202-30340716	12 B-3	19,05	3/4 x 7/16
22202-31001702	16 B-3	25,4	1 x 17,02 mm

Form L offset links

Order No.	ISO No.	P	Suitable for chains
22202-40380732	06 B-3	9,525	3/8 x 7/32
22202-40120516	08 B-3	12,7	1/2 x 5/16
22202-40580308	10 B-3	15,875	5/8 x 3/8
22202-40340716	12 B-3	19,05	3/4 x 7/16
22202-41001702	16 B-3	25,4	1 x 17,02 mm