

# Roller chains single

DIN ISO 606, curved link plate



**Material:**  
Steel.

**Version:**  
Pre-stretched.

**Sample order:**  
nlm 22200-0380732525

**Note for ordering:**

Packaging unit: 5 metres with odd number of links.  
Ending with an inner link at both ends. Connecting links must be ordered separately.

**Note:**

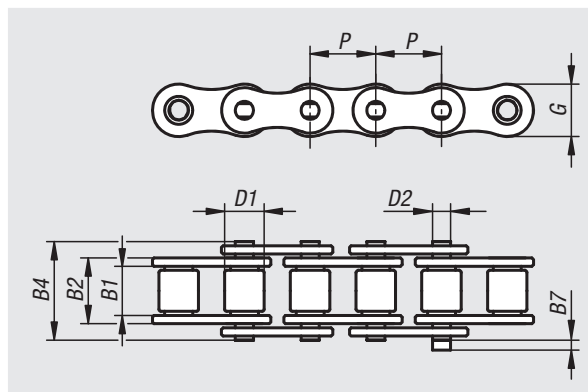
European-type roller chains acc. to DIN ISO 606 with curved link plates (ISO No. 06 with straight links). All chains are pre-stretched. Initial lubrication: anti-corrosion mineral based oil.

B7 = maximum value for links.

Pitch = PxB1

**Temperature range:**

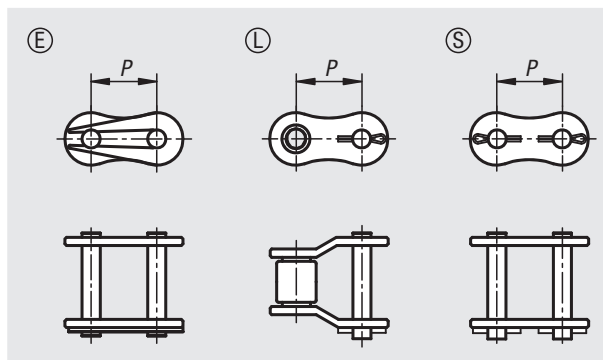
-20°C to +120°C.



Order No.	ISO No.	Pitch inch	Pitch mm	B2	B4	B7	D1	D2	G	~L	No. of links	Break force F min. kN
22200-0800030625	05 B-1	-	8,0 x 3,0	4,77	8,6	3,1	5	2,31	7,11	~5000	625	4,4
22200-0380732525	06 B-1	3/8X7/32	9,525 x 5,72	8,53	13,5	3,3	6,35	3,28	8,26	~5000	525	6,6
22200-0120516393	08 B-1	1/2X5/16	12,7 x 7,75	11,3	17	3,9	8,51	4,45	11,81	~5000	393	12
22200-0580308315	10 B-1	5/8X3/8	15,875 x 9,65	13,28	19,6	4,1	10,16	5,08	14,73	~5000	315	15
22200-0340716263	12 B-1	3/4X7/16	19,05 x 11,68	15,62	22,7	4,6	12,07	5,72	16,13	~5000	263	17
22200-1001702197	16 B-1	1X17,02mm	25,4 x 17,02	25,45	36,1	5,4	15,88	8,28	21,08	~5000	197	40
22200-1140304157	20 B-1	1 1/4X3/4	31,75 x 19,56	29,01	43,2	6,1	19,05	10,19	26,42	~5000	157	95
22200-1121000131	24 B-1	1 1/2X1	38,1 x 25,4	37,92	53,4	6,6	25,4	14,63	33,4	~5000	131	160

# Links

DIN ISO 606



**Material:**  
Steel.

**Sample order:**  
nlm 22200-30380732

**Note:**  
Links for single roller chains acc. to DIN ISO 606.

With Form E, the spring clips must be mounted with the closed end pointing in the direction of travel.

Offset links are required to close the chain if there is an odd number of links. Using offset links reduces the power and tensile strength by 20%.

## Form E connecting links

Order No.	ISO No.	P	Suitable for chains
22200-30800030	05 B-1	8	8,0 x 3,0mm
22200-30380732	06 B-1	9,525	3/8 x 7/32
22200-30120516	08 B-1	12,7	1/2 x 5/16
22200-30580308	10 B-1	15,875	5/8 x 3/8
22200-30340716	12 B-1	19,05	3/4 x 7/16
22200-31001702	16 B-1	25,4	1 x 17,02 mm

## Form L offset links

Order No.	ISO No.	P	Suitable for chains
22200-40800030	05 B-1	8	8,0 x 3,0mm
22200-40380732	06 B-1	9,525	3/8 x 7/32
22200-40120516	08 B-1	12,7	1/2 x 5/16
22200-40580308	10 B-1	15,875	5/8 x 3/8
22200-40340716	12 B-1	19,05	3/4 x 7/16
22200-41001702	16 B-1	25,4	1 x 17,02 mm
22200-41140340	20 B-1	31,75	1 1/4 x 3/4
22200-41121000	24 B-1	38,1	1 1/2 x 1

## Form S, connecting links with cotter pin

Order No.	ISO No.	P	Suitable for chains
22200-51140340	20 B-1	31,75	1 1/4 x 3/4
22200-51121000	24 B-1	38,1	1 1/2 x 1