

Technical Information for toothed belts 22052, 22054, 22057 and 22059

General

Our toothed belts are made of abrasion-resistant polyurethane and reinforced with high-tensile steel cording. They allow for a smooth and synchronous transmission of power. They are maintenance-free and extremely cost-efficient.

Drive installation

Diagrams and performance tables are available on these pages for selecting the size. The axes must be parallel to one another. It is possible to align the toothed pulleys very precisely using a straight edge or laser. Use the largest possible toothed pulleys. Make sure that at least one toothed pulley has rim flanges. When installing the toothed belts, never forcefully lever over the rim flange. Adjustment possibilities should be pre-planned for mounting and setting the correct belt tension.

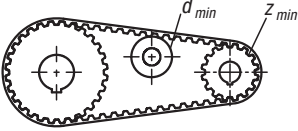
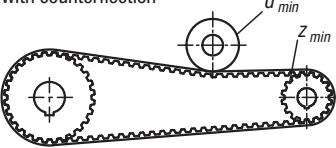
Belt tension

In order to guarantee a long service life and low-noise operation, correct alignment and tensioning of the drive are absolutely necessary. Idlers are often used on drives with fixed centre distances in order to be able to set the belt tension accurately. A smooth roller is the preferred idler to use on the slack side of the belt. Smooth idlers produce counter-flection which reduces the service life of the drive. If it is not possible to do without them, the idler should be at least 1.25 times as large as the drive's smallest toothed pulley and fitted as close as possible to the small pulley in order to maximise the number of teeth in mesh.

Belt storage

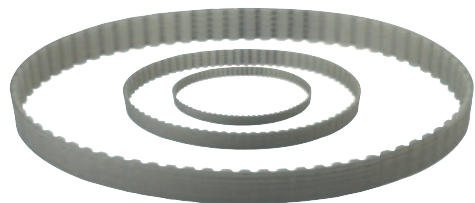
Never bend the toothed belt. When storing, prevent bending, direct solar radiation and chemical influences.

Minimum number of teeth and minimum diameter

	Profile	T5	T10	AT5	AT10
without counterflexion 	Synchronising wheel z_{min}	10	12	15	15
	Inner idler on teeth d_{min} [mm]	30	60	30	50
with counterflexion 	Synchronising wheel z_{min}	15	20	25	25
	Outer idler on belt back d_{min} [mm]	30	60	60	120

Toothed belts

AT profile



Material:

Polyurethane (PU) with steel cord reinforcement.

Sample order:

nIm 22057-0510X0225

Note:

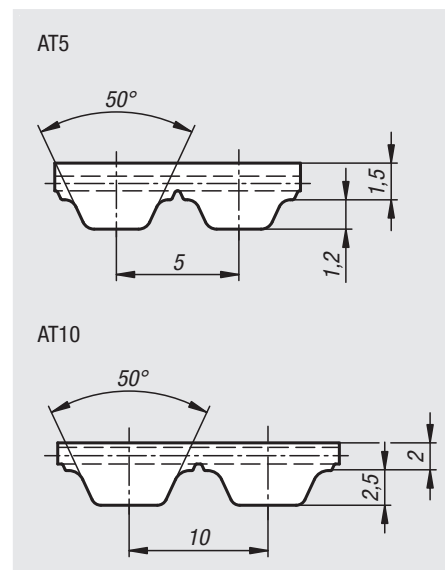
Endless toothed belt with trapezoidal profile and reinforced steel cord (compared to T-Series) with metric pitch. Optimised tooth profile for more uniform force distribution and lower tooth deformation under load. Reduced polygon effect for quieter belt operation. The toothed belts are intended for drives where precision is a requirement, safety is important and the effects of chemicals are a concern.

Temperature range:

from -30 °C to +90 °C

Features:

- maintenance-free
- high-power transmission
- minimal belt extension
- accurate positioning and angles
- very good chemical resistance, especially to oils, greases and fuels
- extremely high abrasion resistance
- transmits power up to 70 kW
- reliable speed up to 10,000 rpm



Toothed belts AT5 profile

Order No. belt width 10	Order No. belt width 16	Order No. belt width 25	No. of teeth	Effective length
22057-0510X0225	22057-0516X0225	22057-0525X0225	45	225
22057-0510X0255	22057-0516X0255	22057-0525X0255	51	255
22057-0510X0280	22057-0516X0280	22057-0525X0280	56	280
22057-0510X0300	22057-0516X0300	22057-0525X0300	60	300
22057-0510X0340	22057-0516X0340	22057-0525X0340	68	340
22057-0510X0375	22057-0516X0375	22057-0525X0375	75	375
22057-0510X0390	22057-0516X0390	22057-0525X0390	78	390
22057-0510X0420	22057-0516X0420	22057-0525X0420	84	420
22057-0510X0455	22057-0516X0455	22057-0525X0455	91	455
22057-0510X0500	22057-0516X0500	22057-0525X0500	100	500
22057-0510X0545	22057-0516X0545	22057-0525X0545	109	545
22057-0510X0600	22057-0516X0600	22057-0525X0600	120	600
22057-0510X0610	22057-0516X0610	22057-0525X0610	122	610
22057-0510X0660	22057-0516X0660	22057-0525X0660	132	660
22057-0510X0720	22057-0516X0720	22057-0525X0720	144	720
22057-0510X0750	22057-0516X0750	22057-0525X0750	150	750
22057-0510X0780	22057-0516X0780	22057-0525X0780	156	780
22057-0510X0825	22057-0516X0825	22057-0525X0825	165	825
22057-0510X0975	22057-0516X0975	22057-0525X0975	195	975
22057-0510X1050	22057-0516X1050	22057-0525X1050	210	1050
22057-0510X1125	22057-0516X1125	22057-0525X1125	225	1125
22057-0510X1500	22057-0516X1500	22057-0525X1500	300	1500

Toothed belts

AT profile

Toothed belts AT10 profile

Order No. belt width 16	Order No. belt width 25	Order No. belt width 32	No. of teeth	Effective length
22057-1016X0500	22057-1025X0500	22057-1032X0500	50	500
22057-1016X0560	22057-1025X0560	22057-1032X0560	56	560
22057-1016X0610	22057-1025X0610	22057-1032X0610	61	610
22057-1016X0660	22057-1025X0660	22057-1032X0660	66	660
22057-1016X0700	22057-1025X0700	22057-1032X0700	70	700
22057-1016X0730	22057-1025X0730	22057-1032X0730	73	730
22057-1016X0780	22057-1025X0780	22057-1032X0780	78	780
22057-1016X0800	22057-1025X0800	22057-1032X0800	80	800
22057-1016X0840	22057-1025X0840	22057-1032X0840	84	840
22057-1016X0890	22057-1025X0890	22057-1032X0890	89	890
22057-1016X0920	22057-1025X0920	22057-1032X0920	92	920
22057-1016X0960	22057-1025X0960	22057-1032X0960	96	960
22057-1016X0980	22057-1025X0980	22057-1032X0980	98	980
22057-1016X1010	22057-1025X1010	22057-1032X1010	101	1010
22057-1016X1050	22057-1025X1050	22057-1032X1050	105	1050
22057-1016X1080	22057-1025X1080	22057-1032X1080	108	1080
22057-1016X1150	22057-1025X1150	22057-1032X1150	115	1150
22057-1016X1210	22057-1025X1210	22057-1032X1210	121	1210
22057-1016X1250	22057-1025X1250	22057-1032X1250	125	1250
22057-1016X1320	22057-1025X1320	22057-1032X1320	132	1320
22057-1016X1400	22057-1025X1400	22057-1032X1400	140	1400
22057-1016X1500	22057-1025X1500	22057-1032X1500	150	1500
22057-1016X1600	22057-1025X1600	22057-1032X1600	160	1600
22057-1016X1700	22057-1025X1700	22057-1032X1700	170	1700
22057-1016X1800	22057-1025X1800	22057-1032X1800	180	1800