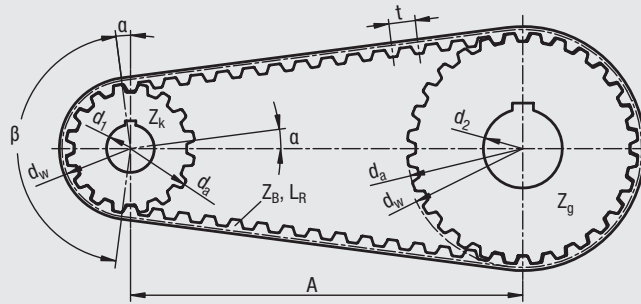


Technical information for toothed belts 22052 and 22057

b	(cm)	Belt width
L_R	(mm)	Belt length
Z_R	-	Number of belt teeth
B	(mm)	Pulley width
A	(mm)	Centre distance
A_{eff}	(mm)	Effective centre distance
d	(mm)	Diameter of bore
d_a	(mm)	Outer diameter
d_{ak}	(mm)	Outer diameter of small pulley
d_{ag}	(mm)	Outer diameter of large pulley
d_w	(mm)	Effective diameter
d_{wk}	(mm)	Effective diameter of small pulley
d_{wg}	(mm)	Effective diameter of large pulley
F_{Wsta}	(N)	Static shaft power
F_{TV}	(N)	Pre-tensioning force per belt
F_{Tzul}	(N)	Maximum permissible belt tension
F_U	(N)	Peripheral force
M	(Nm)	Torque
P	(kW)	Output
t_{ab}	(s)	Acceleration time
t_{av}	(s)	Deceleration time
v	(m/s)	Speed / peripheral speed
Z_e	-	Number of teeth in mesh
Z_k	-	Number of teeth on small pulley
Z_g	-	Number of teeth on large pulley
i	-	Speed ratio $n_1 : n_2$
ρ	(kg/dm ³)	Density
J	(kgm ²)	Mass moment of inertia
t	(mm)	Pitch
n	(min ⁻¹)	Speed
n_1	(min ⁻¹)	Drive pulley speed
ω	(s ⁻¹)	Angular speed
β	(°)	Wrap angle

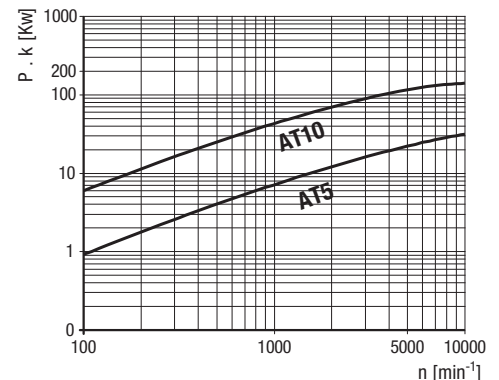
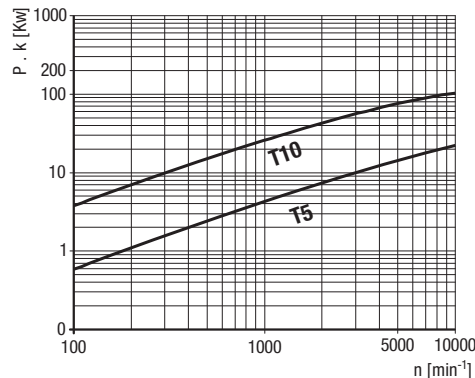


Formula's

Power	Circumferential force	Torque
$P = \frac{M \cdot n}{9550}$	$F_U = \frac{19100 \cdot P \cdot 10^3}{n \cdot d_w}$	$M = \frac{F_U \cdot d_w}{2000}$
$P = \frac{F_U \cdot d_w \cdot n}{19100 \cdot 10^3}$	$F_U = \frac{2000 \cdot M}{d_w}$	$M = \frac{9550 \cdot P}{n}$
Angular velocity	Circumferential speed	Acceleration torque
$\omega = \frac{\pi \cdot n}{30}$	$v = \frac{d_w \cdot n}{19100}$	$M_{ab} = \frac{J \cdot \Delta n}{9,55 \cdot t_{ab}}$
Moment of inertia	Speed	Effective diameter
$J = 98,2 \cdot 10^{-15} \cdot B \cdot \rho \cdot (d_a^4 - d^4)$	$n = \frac{19100 \cdot v}{d_w}$	$d_w = \frac{z \cdot t}{\pi}$
Belt length for $i=1$		
$L_R = 2 \cdot A + \pi \cdot d_w$		
$L_R = 2 \cdot A + z \cdot t$		
Belt length for $i \neq 1$ (simplified)	Belt length for $i \neq 1$ (for greater accuracy)	
$L_R \approx \frac{t}{2} \cdot (Z_g + Z_k) + 2A + \frac{1}{4A} \cdot \left[\frac{(Z_g - Z_k) \cdot t}{\pi} \right]^2$	$L_R \approx 2A \cdot \sin \frac{\beta}{2} + \frac{t}{2} \cdot \left[Z_g + Z_k + \left(1 - \frac{\beta}{180} \right) \cdot (Z_g - Z_k) \right]$	

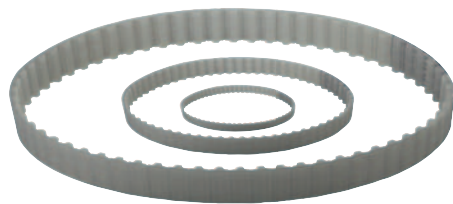
Selection diagram

The selection diagrams enables the selection of the belt profile for the drive task in advance. The application c safety factors and the speed of the small pulley must be taken into account.



Toothed belts

T profile



Material:

Polyurethane (PU) with steel cord reinforcement.

Sample order:

nIm 22052-0510X0165

Note:

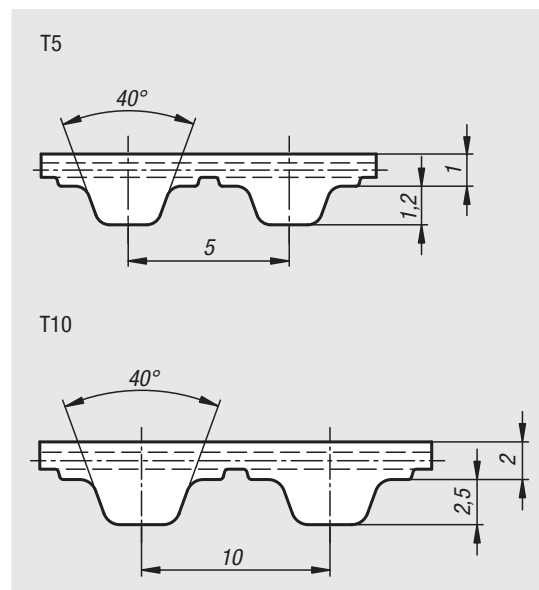
Endless toothed belt with trapezoidal profile to DIN 7721 T1 with metric pitch. Ideal for drives with high belt flexibility. Permits smallest pulley diameters. The toothed belts are intended for drives where precision is a requirement, safety is important and the effects of chemicals are a concern.

Temperature range:

from -30 °C to +90 °C

Features:

- maintenance-free
- high-power transmission
- minimal belt extension
- accurate positioning and angles
- very good chemical resistance, especially to oils, greases and fuels
- extremely high abrasion resistance
- transmits power up to 30 kW
- reliable speed up to 10,000 rpm



Toothed belts T5 profile

Order No. belt width 10	Order No. belt width 16	Order No. belt width 25	No. of teeth	Effective length
22052-0510X0165	22052-0516X0165	22052-0525X0165	33	165
22052-0510X0185	22052-0516X0185	22052-0525X0185	37	185
22052-0510X0200	22052-0516X0200	22052-0525X0200	40	200
22052-0510X0215	22052-0516X0215	22052-0525X0215	43	215
22052-0510X0220	22052-0516X0220	22052-0525X0220	44	220
22052-0510X0225	22052-0516X0225	22052-0525X0225	45	225
22052-0510X0245	22052-0516X0245	22052-0525X0245	49	245
22052-0510X0250	22052-0516X0250	22052-0525X0250	50	250
22052-0510X0255	22052-0516X0255	22052-0525X0255	51	255
22052-0510X0260	22052-0516X0260	22052-0525X0260	52	260
22052-0510X0270	22052-0516X0270	22052-0525X0270	54	270
22052-0510X0275	22052-0516X0275	22052-0525X0275	55	275
22052-0510X0280	22052-0516X0280	22052-0525X0280	56	280
22052-0510X0295	22052-0516X0295	22052-0525X0295	59	295
22052-0510X0300	22052-0516X0300	22052-0525X0300	60	300
22052-0510X0305	22052-0516X0305	22052-0525X0305	61	305
22052-0510X0325	22052-0516X0325	22052-0525X0325	65	325
22052-0510X0330	22052-0516X0330	22052-0525X0330	66	330
22052-0510X0340	22052-0516X0340	22052-0525X0340	68	340
22052-0510X0350	22052-0516X0350	22052-0525X0350	70	350
22052-0510X0355	22052-0516X0355	22052-0525X0355	71	355
22052-0510X0365	22052-0516X0365	22052-0525X0365	73	365
22052-0510X0375	22052-0516X0375	22052-0525X0375	75	375
22052-0510X0390	22052-0516X0390	22052-0525X0390	78	390
22052-0510X0400	22052-0516X0400	22052-0525X0400	80	400
22052-0510X0410	22052-0516X0410	22052-0525X0410	82	410
22052-0510X0420	22052-0516X0420	22052-0525X0420	84	420
22052-0510X0425	22052-0516X0425	22052-0525X0425	85	425
22052-0510X0450	22052-0516X0450	22052-0525X0450	90	450
22052-0510X0455	22052-0516X0455	22052-0525X0455	91	455
22052-0510X0475	22052-0516X0475	22052-0525X0475	95	475

Toothed belts

T profile

Toothed belts T5 profile

Order No. belt width 10	Order No. belt width 16	Order No. belt width 25	No. of teeth	Effective length
22052-0510X0480	22052-0516X0480	22052-0525X0480	96	480
22052-0510X0500	22052-0516X0500	22052-0525X0500	100	500
22052-0510X0510	22052-0516X0510	22052-0525X0510	102	510
22052-0510X0525	22052-0516X0525	22052-0525X0525	105	525
22052-0510X0545	22052-0516X0545	22052-0525X0545	109	545
22052-0510X0550	22052-0516X0550	22052-0525X0550	110	550
22052-0510X0560	22052-0516X0560	22052-0525X0560	112	560
22052-0510X0575	22052-0516X0575	22052-0525X0575	115	575
22052-0510X0600	22052-0516X0600	22052-0525X0600	120	600
22052-0510X0610	22052-0516X0610	22052-0525X0610	122	610
22052-0510X0620	22052-0516X0620	22052-0525X0620	124	620
22052-0510X0630	22052-0516X0630	22052-0525X0630	126	630
22052-0510X0640	22052-0516X0640	22052-0525X0640	128	640
22052-0510X0650	22052-0516X0650	22052-0525X0650	130	650
22052-0510X0660	22052-0516X0660	22052-0525X0660	132	660
22052-0510X0690	22052-0516X0690	22052-0525X0690	138	690
22052-0510X0700	22052-0516X0700	22052-0525X0700	140	700
22052-0510X0720	22052-0516X0720	22052-0525X0720	144	720
22052-0510X0750	22052-0516X0750	22052-0525X0750	150	750
22052-0510X0780	22052-0516X0780	22052-0525X0780	156	780
22052-0510X0815	22052-0516X0815	22052-0525X0815	163	815
22052-0510X0840	22052-0516X0840	22052-0525X0840	168	840
22052-0510X0850	22052-0516X0850	22052-0525X0850	170	850
22052-0510X0900	22052-0516X0900	22052-0525X0900	180	900
22052-0510X0990	22052-0516X0990	22052-0525X0990	198	990
22052-0510X1000	22052-0516X1000	22052-0525X1000	200	1000
22052-0510X1075	22052-0516X1075	22052-0525X1075	215	1075
22052-0510X1100	22052-0516X1100	22052-0525X1100	220	1100
22052-0510X1215	22052-0516X1215	22052-0525X1215	243	1215
22052-0510X1380	22052-0516X1380	22052-0525X1380	276	1380
22052-0510X1440	22052-0516X1440	22052-0525X1440	288	1440

Toothed belts T10 profile

Order No. belt width 16	Order No. belt width 25	Order No. belt width 32	No. of teeth	Effective length
22052-1016X0260	22052-1025X0260	22052-1032X0260	26	260
22052-1016X0370	22052-1025X0370	22052-1032X0370	37	370
22052-1016X0400	22052-1025X0400	22052-1032X0400	40	400
22052-1016X0410	22052-1025X0410	22052-1032X0410	41	410
22052-1016X0440	22052-1025X0440	22052-1032X0440	44	440
22052-1016X0450	22052-1025X0450	22052-1032X0450	45	450
22052-1016X0500	22052-1025X0500	22052-1032X0500	50	500
22052-1016X0530	22052-1025X0530	22052-1032X0530	53	530

Toothed belts

T profile

Toothed belts T10 profile

Order No. belt width 16	Order No. belt width 25	Order No. belt width 32	No. of teeth	Effective length
22052-1016X0560	22052-1025X0560	22052-1032X0560	56	560
22052-1016X0610	22052-1025X0610	22052-1032X0610	61	610
22052-1016X0630	22052-1025X0630	22052-1032X0630	63	630
22052-1016X0660	22052-1025X0660	22052-1032X0660	66	660
22052-1016X0690	22052-1025X0690	22052-1032X0690	69	690
22052-1016X0700	22052-1025X0700	22052-1032X0700	70	700
22052-1016X0720	22052-1025X0720	22052-1032X0720	72	720
22052-1016X0750	22052-1025X0750	22052-1032X0750	75	750
22052-1016X0780	22052-1025X0780	22052-1032X0780	78	780
22052-1016X0810	22052-1025X0810	22052-1032X0810	81	810
22052-1016X0840	22052-1025X0840	22052-1032X0840	84	840
22052-1016X0880	22052-1025X0880	22052-1032X0880	88	880
22052-1016X0890	22052-1025X0890	22052-1032X0890	89	890
22052-1016X0900	22052-1025X0900	22052-1032X0900	90	900
22052-1016X0920	22052-1025X0920	22052-1032X0920	92	920
22052-1016X0960	22052-1025X0960	22052-1032X0960	96	960
22052-1016X0970	22052-1025X0970	22052-1032X0970	97	970
22052-1016X0980	22052-1025X0980	22052-1032X0980	98	980
22052-1016X1010	22052-1025X1010	22052-1032X1010	101	1010
22052-1016X1080	22052-1025X1080	22052-1032X1080	108	1080
22052-1016X1110	22052-1025X1110	22052-1032X1110	111	1110
22052-1016X1140	22052-1025X1140	22052-1032X1140	114	1140
22052-1016X1150	22052-1025X1150	22052-1032X1150	115	1150
22052-1016X1210	22052-1025X1210	22052-1032X1210	121	1210
22052-1016X1240	22052-1025X1240	22052-1032X1240	124	1240
22052-1016X1250	22052-1025X1250	22052-1032X1250	125	1250
22052-1016X1300	22052-1025X1300	22052-1032X1300	130	1300
22052-1016X1320	22052-1025X1320	22052-1032X1320	132	1320
22052-1016X1350	22052-1025X1350	22052-1032X1350	135	1350
22052-1016X1390	22052-1025X1390	22052-1032X1390	139	1390
22052-1016X1400	22052-1025X1400	22052-1032X1400	140	1400
22052-1016X1420	22052-1025X1420	22052-1032X1420	142	1420
22052-1016X1440	22052-1025X1440	22052-1032X1440	144	1440
22052-1016X1450	22052-1025X1450	22052-1032X1450	145	1450
22052-1016X1460	22052-1025X1460	22052-1032X1460	146	1460
22052-1016X1500	22052-1025X1500	22052-1032X1500	150	1500
22052-1016X1560	22052-1025X1560	22052-1032X1560	156	1560
22052-1016X1610	22052-1025X1610	22052-1032X1610	161	1610
22052-1016X1750	22052-1025X1750	22052-1032X1750	175	1750
22052-1016X1780	22052-1025X1780	22052-1032X1780	178	1780
22052-1016X1880	22052-1025X1880	22052-1032X1880	188	1880
22052-1016X1960	22052-1025X1960	22052-1032X1960	196	1960
22052-1016X2250	22052-1025X2250	22052-1032X2250	225	2250