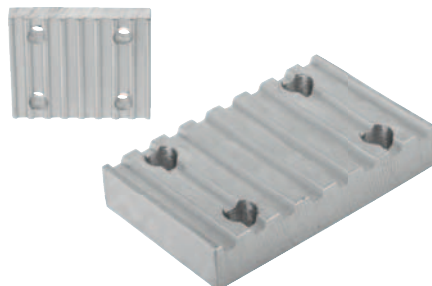


Clamp plates for toothed belts

profile T and AT



Material:

Aluminium.

Version:

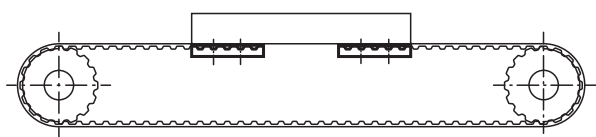
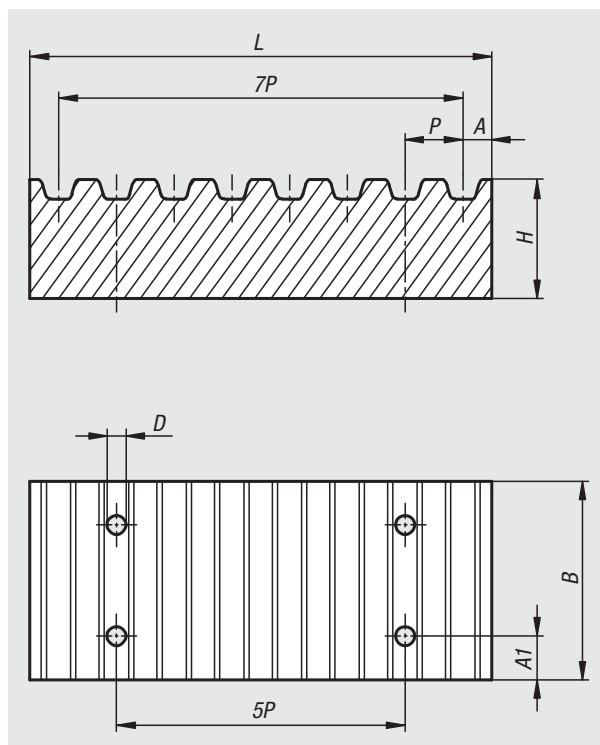
Bright.

Sample order:

nIm 22012-05101

Note:

Clamp plates are used to mechanically secure the free belt end for numerous linear applications. The clamp plates must have matching tooth profiles to the belts to be secure to apply a uniform clamping force. For standard applications at least 7 belt teeth per belt end and must be engaged.



Order No.	Profile	belt width	P	A	A1	B	D	H	L
22012-05101	T5	10	5	3,4	6	29	5,5	8	41,8
22012-05161	T5	16	5	3,4	6	35	5,5	8	41,8
22012-05251	T5	25	5	3,4	6	44	5,5	8	41,8
22012-10161	T10	16	10	5	8	41	9	15	80
22012-10251	T10	25	10	5	8	50	9	15	80
22012-10321	T10	32	10	5	8	57	9	15	80
22012-05102	AT5	10	5	3,4	6	29	5,5	8	41,8
22012-05162	AT5	16	5	3,4	6	35	5,5	8	41,8
22012-05252	AT5	25	5	3,4	6	44	5,5	8	41,8
22012-10162	AT10	16	10	5	8	41	9	15	80
22012-10252	AT10	25	10	5	8	50	9	15	80
22012-10322	AT10	32	10	5	8	57	9	15	80