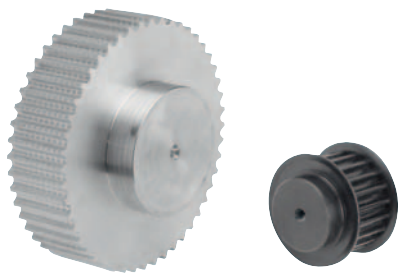


Toothed pulleys

profile HTD 5M



Material:

Steel.

Toothed pulleys without aluminium rim flanges.

Version:

Steel phosphated.

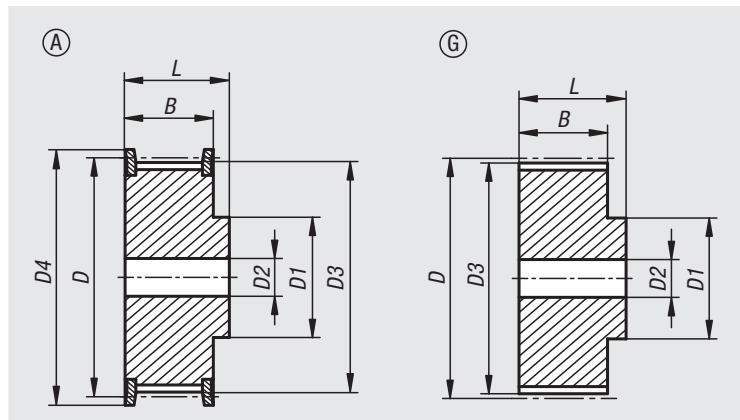
Aluminium bright.

Sample order:

nIm 22004-051512

Note:

Standard HTD profile with metric pitch (half-round toothing). At least one belt pulley must have a rim flange. The toothed belt pulleys have a centre bore or a pilot hole (this can vary due to manufacturing methods). For this reason, the dimension D2 max. given in the table is the maximum diameter of the bore with which the toothed belt pulleys are supplied. This pilot/centre bore can be amended by the customer to produce a reamed bore, reamed bore with keyway or a tapped hole. Alternatively, customers can also use bushes to reduce the bore diameter. The pulleys may be recessed on the sides.



Order No. belt width 15	Order No. belt width 25	Form	Main material	No. of teeth	D1 max.	D2 max.	D3	D4 max.	B	L
22004-051512	22004-052512	A	steel	12	13	6	17,96	23	20,5/30	26/36
22004-051514	22004-052514	A	steel	14	14	6	21,14	25	20,5/30	26/36
22004-051515	22004-052515	A	steel	15	16	6	22,73	28	20,5/30	26/36
22004-051516	22004-052516	A	steel	16	16,5	6	24,32	28	20,5/30	26/36
22004-051518	22004-052518	A	steel	18	20	6	27,51	32	20,5/30	26/36
22004-051520	22004-052520	A	steel	20	23	6	30,69	36	20,5/30	26/36
22004-051521	22004-052521	A	steel	21	24	6	32,28	38	20,5/30	26/38
22004-051522	22004-052522	A	steel	22	25,5	6	33,87	39	20,5/30	26/38
22004-051524	22004-052524	A	steel	24	27	6	37,06	42	20,5/30	28/38
22004-051526	22004-052526	A	steel	26	30	6	40,24	46	20,5/30	28/38
22004-051528	22004-052528	A	steel	28	30,5	6	43,42	50	20,5/30	28/38
22004-051530	22004-052530	A	steel	30	35	8	46,61	51	20,5/30	28/38
22004-051532	22004-052532	A	steel	32	38	8	49,79	55	20,5/30	28/38
22004-051536	22004-052536	A	steel	36	38	8	56,16	62	20,5/30	28/38
22004-051540	22004-052540	A	steel	40	38	8	62,52	71	20,5/30	28/38
22004-051544	22004-052544	G	aluminium	44	38	8	68,89	-	20,5/30	30/40
22004-051548	22004-052548	G	aluminium	48	45	8	75,25	-	20,5/30	30/40
22004-051560	22004-052560	G	aluminium	60	50	8	94,35	-	20,5/30	30/40
22004-051572	22004-052572	G	aluminium	72	50	8	113,45	-	20,5/30	30/40

Toothed pulleys

profile HTD 8M



Material:

Steel or grey cast iron.

Version:

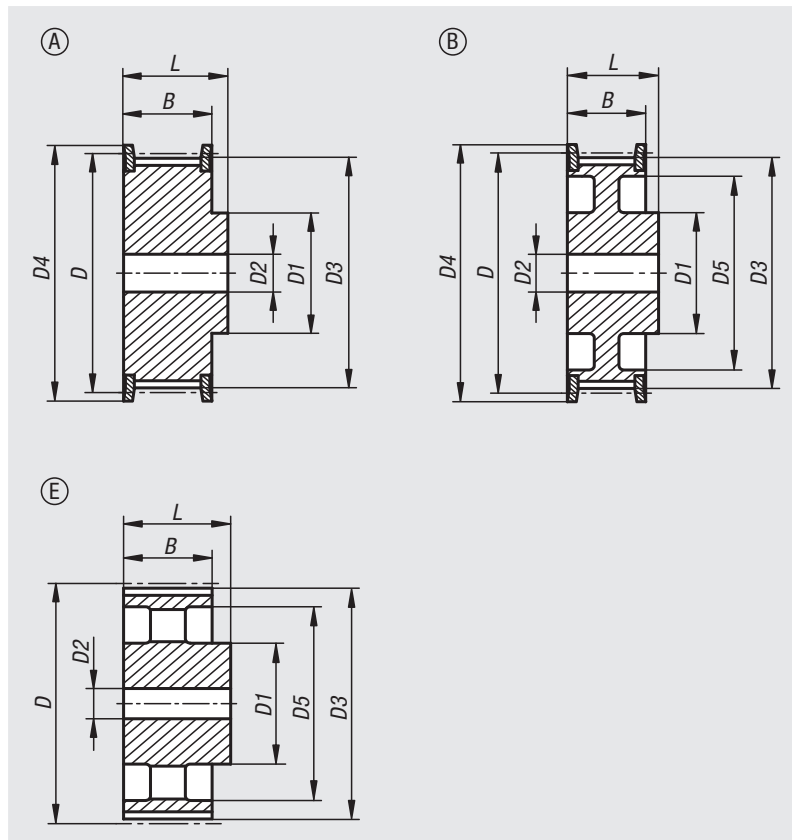
Phosphated

Sample order:

nIm 22004-0820018

Note:

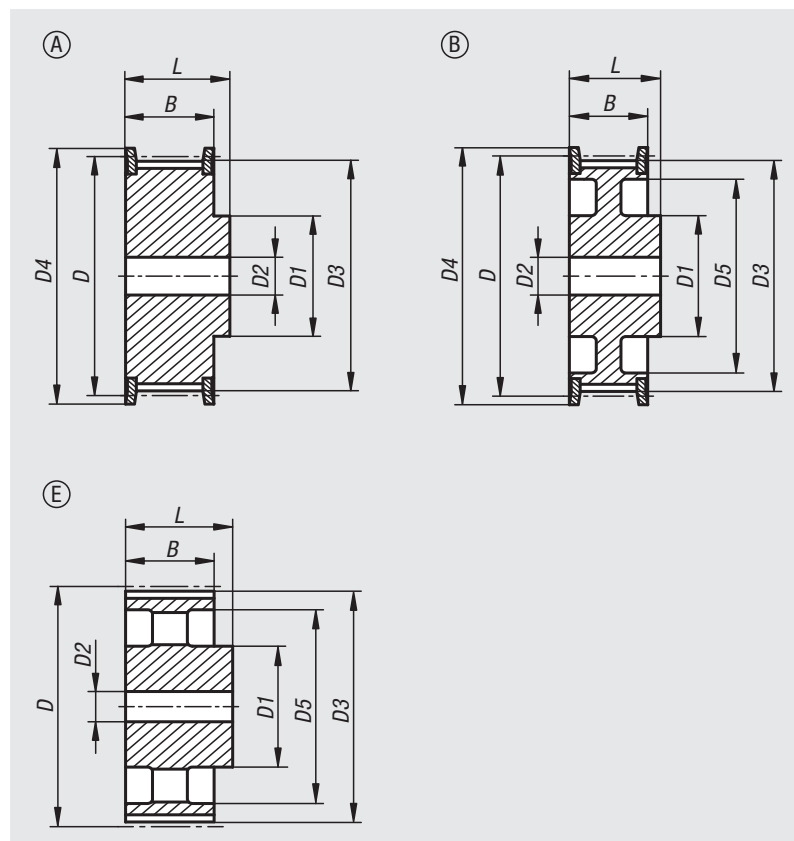
Standard HTD profile with metric pitch (half-round toothing). At least one belt pulley must have a rim flange. The toothed belt pulleys have a centre bore or a pilot hole (this can vary due to manufacturing methods). For this reason, the dimension D2 max. given in the table is the maximum diameter of the bore with which the toothed belt pulleys are supplied. This pilot/centre bore can be amended by the customer to produce a reamed bore, reamed bore with keyway or a tapped hole. Alternatively, customers can also use bushes to reduce the bore diameter.



Order No.	belt width	Form	Material	No. of teeth	D	D1 max.	D2 max.	D3	D4 max.	D5	B	L
22004-0820018	20	A	steel	18	45,84	32	12	44,46	51	-	28	38
22004-0820020	20	A	steel	20	50,93	36	12	49,56	57	-	28	38
22004-0820022	20	A	steel	22	56,02	43	12	54,65	62	-	28	38
22004-0820024	20	A	steel	24	61,12	49	12	59,74	67	-	28	38
22004-0820026	20	A	steel	26	66,21	50	12	64,84	73	-	28	38
22004-0820028	20	A	steel	28	71,3	55	14	69,93	77	-	28	38
22004-0820030	20	A	steel	30	76,39	60	14	75,02	84	-	28	38
22004-0820032	20	A	steel	32	81,49	64	14	80,12	88	-	28	38
22004-0820034	20	A	steel	34	86,58	70	14	85,21	94	-	28	38
22004-0820036	20	A	steel	36	91,67	75	14	90,3	98	-	28	38
22004-0820038	20	A	steel	38	96,77	80	14	95,39	104	-	28	38
22004-0820040	20	A	steel	40	101,86	85	14	100,49	108	-	28	38
22004-0820044	20	A	grey cast iron	44	112,05	96	14	110,67	121	-	28	38
22004-0820048	20	A	grey cast iron	48	122,23	104	14	120,86	129	-	28	38
22004-0820056	20	B	grey cast iron	56	142,6	80	14	141,23	150	117	28	38
22004-0820060	20	B	grey cast iron	60	152,79	80	14	151,42	158	127	28	38
22004-0820064	20	B	grey cast iron	64	162,97	80	14	161,6	168	137	28	38
22004-0820072	20	B	grey cast iron	72	183,35	80	18	181,97	192	158	28	38
22004-0820080	20	E	grey cast iron	80	203,72	90	14	202,35	-	179	28	38
22004-0820084	20	E	grey cast iron	84	213,9	90	14	212,53	-	190	28	38
22004-0820090	20	E	grey cast iron	90	229,18	90	14	227,81	-	204	28	38
22004-0820112	20	E	grey cast iron	112	285,21	90	20	283,83	-	260	28	38
22004-0820144	20	E	grey cast iron	144	366,69	90	20	365,32	-	342	28	38
22004-0820168	20	E	grey cast iron	168	427,8	100	20	426,42	-	403	28	38
22004-0820192	20	E	grey cast iron	192	488,92	100	20	487,54	-	465	28	38

Toothed pulleys

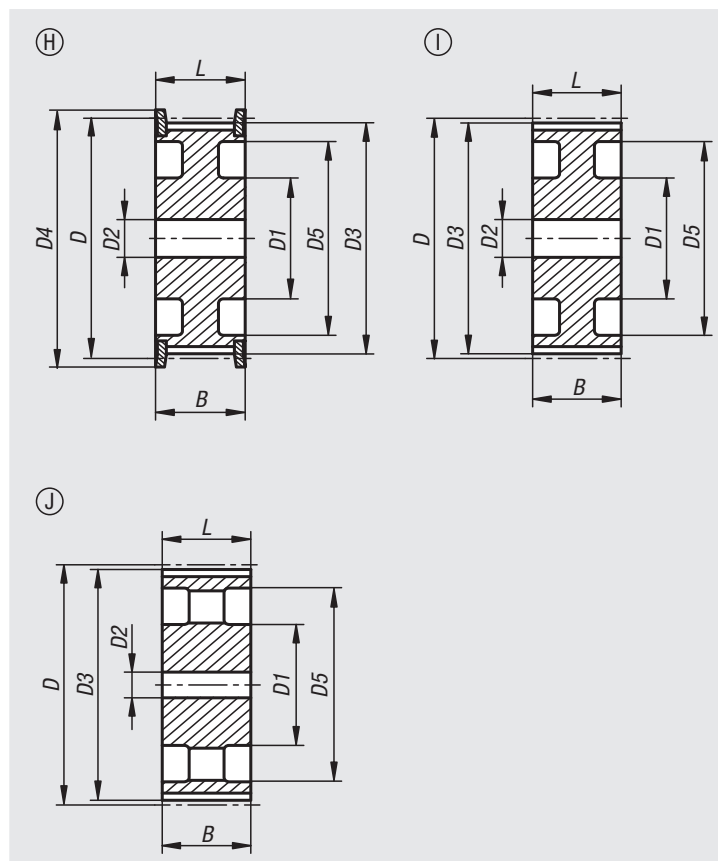
profile HTD 8M



Order No.	belt width	Form	Material	No. of teeth	D	D1 max.	D2 max.	D3	D4 max.	D5	B	L
22004-0830018	30	A	steel	18	45,84	32	12	44,46	51	-	38	48
22004-0830020	30	A	steel	20	50,93	36	12	49,56	57	-	38	48
22004-0830022	30	A	steel	22	56,02	43	12	54,65	62	-	38	48
22004-0830024	30	A	steel	24	61,12	49	12	59,74	67	-	38	48
22004-0830026	30	A	steel	26	66,21	50	12	64,84	73	-	38	48
22004-0830028	30	A	steel	28	71,3	55	14	69,93	77	-	38	48
22004-0830030	30	A	steel	30	76,39	60	14	75,02	84	-	38	48
22004-0830032	30	A	steel	32	81,49	64	14	80,12	88	-	38	48
22004-0830034	30	A	steel	34	86,58	70	14	85,21	94	-	38	48
22004-0830036	30	A	steel	36	91,67	75	14	90,3	98	-	38	48
22004-0830038	30	A	steel	38	96,77	80	14	95,39	104	-	38	48
22004-0830040	30	A	steel	40	101,86	85	14	100,49	108	-	38	48
22004-0830044	30	A	grey cast iron	44	112,05	96	14	110,67	121	-	38	48
22004-0830048	30	A	grey cast iron	48	122,23	104	14	120,86	129	-	38	48
22004-0830056	30	B	grey cast iron	56	142,6	90	14	141,23	150	117	38	48
22004-0830060	30	B	grey cast iron	60	152,79	90	14	151,42	158	127	38	48
22004-0830064	30	B	grey cast iron	64	162,97	90	14	161,6	168	137	38	48
22004-0830072	30	B	grey cast iron	72	183,35	95	14	181,97	192	158	38	48
22004-0830080	30	E	grey cast iron	80	203,72	100	14	202,35	-	179	38	48
22004-0830084	30	E	grey cast iron	84	213,9	100	14	212,53	-	190	38	48
22004-0830090	30	E	grey cast iron	90	229,18	100	14	227,81	-	204	38	48
22004-0830112	30	E	grey cast iron	112	285,21	100	20	283,83	-	260	38	48
22004-0830144	30	E	grey cast iron	144	366,69	100	20	365,32	-	342	38	48
22004-0830168	30	E	grey cast iron	168	427,8	100	20	426,42	-	403	38	48
22004-0830192	30	E	grey cast iron	192	488,92	100	20	487,54	-	465	38	48

Toothed pulleys

profile HTD 8M



Order No.	belt width	Form	Material	No. of teeth	D	D1 max.	D2 max.	D3	D4 max.	D5	B	L
22004-0850018	50	A	steel	18	45,84	32	12	44,46	51	-	60	70
22004-0850020	50	A	steel	20	50,93	36	12	49,56	57	-	60	70
22004-0850022	50	A	steel	22	56,02	43	12	54,65	62	-	60	70
22004-0850024	50	A	steel	24	61,12	49	12	59,74	67	-	60	70
22004-0850026	50	A	steel	26	66,21	50	12	64,84	73	-	60	70
22004-0850028	50	A	steel	28	71,3	55	14	69,93	77	-	60	70
22004-0850030	50	A	steel	30	76,39	60	14	75,02	84	-	60	70
22004-0850032	50	A	steel	32	81,49	64	14	80,12	88	-	60	70
22004-0850034	50	A	steel	34	86,58	70	14	85,21	94	-	60	70
22004-0850036	50	A	steel	36	91,67	75	14	90,3	98	-	60	70
22004-0850038	50	A	steel	38	96,77	80	14	95,39	104	-	60	70
22004-0850040	50	A	steel	40	101,86	85	14	100,49	108	-	60	70
22004-0850044	50	A	grey cast iron	44	112,05	96	14	110,67	121	-	60	70
22004-0850048	50	A	grey cast iron	48	122,23	104	14	120,86	129	-	60	70
22004-0850056	50	H	grey cast iron	56	142,6	90	18	141,23	150	117	60	60
22004-0850060	50	H	grey cast iron	60	152,79	100	18	151,42	158	127	60	60
22004-0850064	50	H	grey cast iron	64	162,97	100	18	161,6	168	137	60	60
22004-0850072	50	H	grey cast iron	72	183,35	100	18	181,97	192	158	60	60
22004-0850080	50	I	grey cast iron	80	203,72	110	18	202,35	-	179	60	60
22004-0850084	50	J	grey cast iron	84	213,9	110	18	212,53	-	190	60	60
22004-0850090	50	J	grey cast iron	90	229,18	110	18	227,81	-	204	60	60
22004-0850112	50	J	grey cast iron	112	285,21	110	20	283,83	-	260	60	60
22004-0850144	50	J	grey cast iron	144	366,69	110	20	365,32	-	342	60	60
22004-0850168	50	J	grey cast iron	168	427,8	120	20	426,42	-	403	60	60
22004-0850192	50	J	grey cast iron	192	488,92	130	20	487,54	-	465	60	60