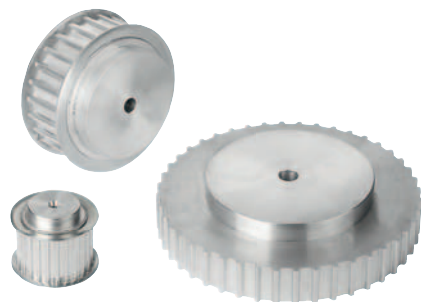


Toothed belt pulleys

AT profile



Material:

Aluminium.
Rim flanges, steel.

Version:

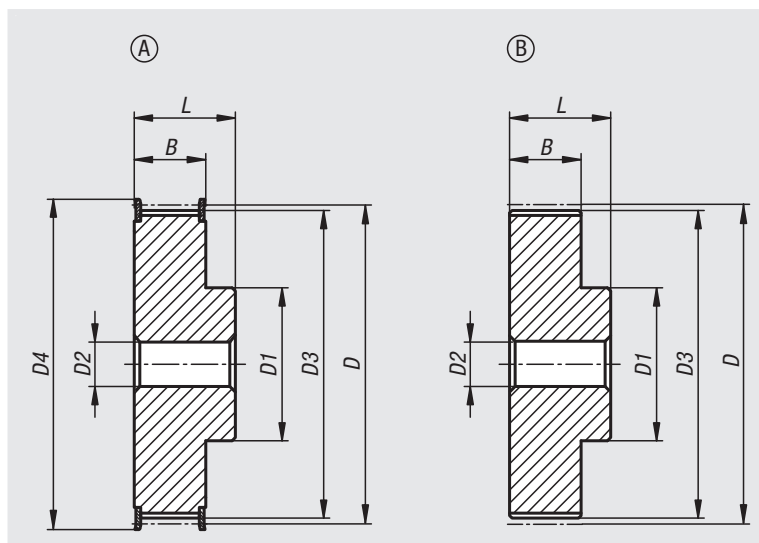
Aluminium bright.
Steel electro zinc-plated.

Sample order:

nln 22003-051012

Note:

Standard AT profile with metric pitch (trapezoidal toothing). At least one belt pulley must have a rim flange. The toothed belt pulleys have a centre bore or a pilot hole (this can vary due to manufacturing methods). For this reason, the dimension D2 max. given in the table is the maximum diameter of the bore with which the toothed belt pulleys are supplied. This pilot/centre bore can be amended by the customer to produce a reamed bore, reamed bore with keyway or a tapped hole. Alternatively, customers can also use bushes to reduce the bore diameter. The pulleys may be recessed on the front side.



Toothed belt pulleys, AT5 profile

Order No. belt width 10	Order No. belt width 16	Order No. belt width 25	Form	No. of teeth	D=diameter	D1	D2 max.	D3	D4	B	L
22003-051012	22003-051612	22003-052512	A	12	19,01	10	6	17,85	23	15/21/30	21/27/36
22003-051014	22003-051614	22003-052514	A	14	22,29	13	8	21,05	25	15/21/30	21/27/36
22003-051015	22003-051615	22003-052515	A	15	23,88	16	10	22,65	28	15/21/30	21/27/36
22003-051016	22003-051616	22003-052516	A	16	25,47	18	11	24,2	32	15/21/30	21/27/36
22003-051018	22003-051618	22003-052518	A	18	28,65	20	12	27,4	32	15/21/30	21/27/36
22003-051019	22003-051619	22003-052519	A	19	30,25	22	12	29	36	15/21/30	21/27/36
22003-051020	22003-051620	22003-052520	A	20	31,83	23	14	30,6	36	15/21/30	21/27/36
22003-051022	22003-051622	22003-052522	A	22	35,12	24	15	33,85	38	15/21/30	21/27/36
22003-051024	22003-051624	22003-052524	A	24	38,21	26	15	37	42	15/21/30	21/27/36
22003-051025	22003-051625	22003-052525	A	25	39,8	26	15	38,6	44	15/21/30	21/27/36
22003-051026	22003-051626	22003-052526	A	26	41,47	26	16	40,2	44	15/21/30	21/27/36
22003-051027	22003-051627	22003-052527	A	27	42,98	30	18	41,8	48	15/21/30	21/27/36
22003-051028	22003-051628	22003-052528	A	28	44,62	32	18	43,35	48	15/21/30	21/27/36
22003-051030	22003-051630	22003-052530	A	30	47,76	34	18	46,55	51	15/21/30	21/27/36
22003-051032	22003-051632	22003-052532	A	32	50,94	36	22	49,7	54	15/21/30	21/27/36
22003-051036	22003-051636	22003-052536	A	36	57,31	38	22	56,05	63	15/21/30	21/27/36
22003-051040	22003-051640	22003-052540	A	40	63,66	40	23	62,45	66	15/21/30	21/27/36
22003-051042	22003-051642	22003-052542	A	42	66,87	40	24	65,6	71	15/21/30	21/27/36
22003-051044	22003-051644	22003-052544	B	44	70,07	45	26	68,8	-	15/21/30	21/27/36
22003-051048	22003-051648	22003-052548	B	48	76,42	50	28	75,15	-	15/21/30	21/27/36
22003-051060	22003-051660	22003-052560	B	60	95,52	65	35	94,25	-	15/21/30	21/27/36

Toothed belt pulleys

AT profile

Toothed belt pulleys, AT10 profile

Order No. belt width 16	Order No. belt width 25	Order No. belt width 32	Form	No. of teeth	D=diameter	D1	D2 max.	D3	D4	B	L
22003-101615	22003-102515	-	A	15	47,75	32	18	45,9	51	21/30	31/40
22003-101616	22003-102516	-	A	16	50,93	35	20	49,05	54	21/30	31/40
22003-101618	22003-102518	22003-103218	A	18	57,29	40	22	55,45	60	21/30/37	31/40/47
22003-101619	22003-102519	22003-103219	A	19	60,48	44	22	58,6	66	21/30/37	31/40/47
22003-101620	22003-102520	22003-103220	A	20	63,66	46	24	61,8	66	21/30/37	31/40/47
22003-101622	22003-102522	22003-103222	A	22	70,03	52	28	68,15	75	21/30/37	31/40/47
22003-101624	22003-102524	22003-103224	A	24	76,39	58	30	74,55	83	21/30/37	31/40/47
22003-101625	22003-102525	22003-103225	A	25	79,58	60	30	77,7	83	21/30/37	31/40/47
22003-101626	22003-102526	22003-103226	A	26	82,76	60	30	80,9	87	21/30/37	31/40/47
22003-101627	22003-102527	22003-103227	A	27	85,95	60	30	84,1	91	21/30/37	31/40/47
22003-101628	22003-102528	22003-103228	A	28	89,13	60	30	87,25	93	21/30/37	31/40/47
22003-101630	22003-102530	22003-103230	A	30	95,49	60	30	93,65	97	21/30/37	31/40/47
22003-101632	22003-102532	22003-103232	A	32	101,86	65	32	100	106	21/30/37	31/40/47
22003-101636	22003-102536	22003-103236	A	36	114,59	70	35	112,75	119	21/30/37	31/40/47
22003-101640	22003-102540	22003-103240	A	40	127,32	80	40	125,45	131	21/30/37	31/40/47
22003-101644	22003-102544	22003-103244	B	44	140,06	88	46	138,2	-	21/30/37	31/40/47
22003-101648	22003-102548	22003-103248	B	48	152,78	95	48	150,95	-	21/30/37	31/40/47
22003-101660	22003-102560	22003-103260	B	60	190,98	110	60	189,1	-	21/30/37	31/40/47