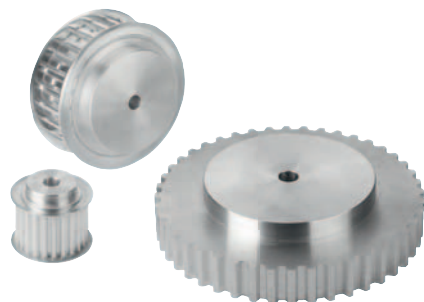


Toothed belt pulleys

T profile



Material:

Aluminium.
Rim flanges, steel.

Version:

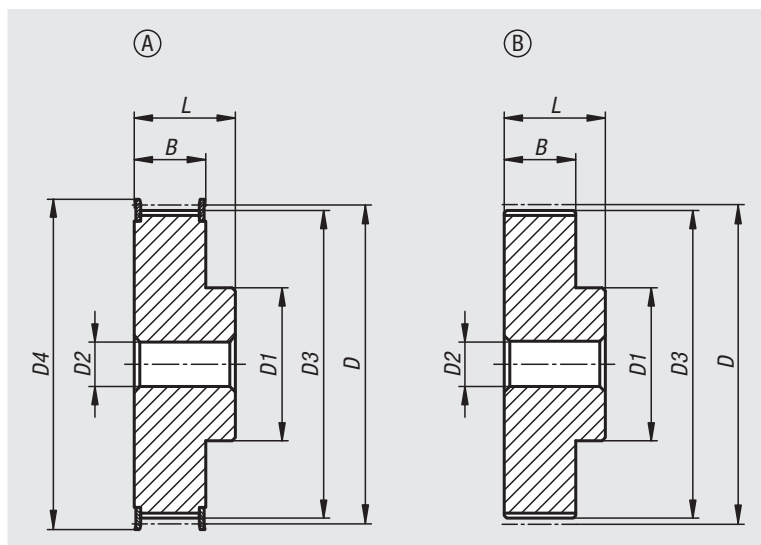
Aluminium bright.
Steel electro zinc-plated.

Sample order:

n1m 22002-051010

Note:

Standard T profile acc. to DIN 7721 T2 with metric pitch (trapezoidal toothing). At least one belt pulley must have a rim flange. The toothed belt pulleys have a centre bore or a pilot hole (this can vary due to manufacturing methods). For this reason, the dimension D2 max. given in the table is the maximum diameter of the bore with which the toothed belt pulleys are supplied. This pilot/centre bore can be amended by the customer to produce a reamed bore, reamed bore with keyway or a tapped hole. Alternatively, customers can also use bushes to reduce the bore diameter.



Toothed belt pulleys, T5 profile

| Order No. belt width 10 | Order No. belt width 16 | Order No. belt width 25 | Form | No. of teeth | D | D1 max. | D2 max. | D3 | D4 max. | B | L |
|----------------------------|----------------------------|----------------------------|------|-----------------|-------|------------|------------|-------|------------|----------|----------|
| 22002-051010 | 22002-051610 | 22002-052510 | A | 10 | 15,92 | 8 | 5 | 15,05 | 19,5 | 15/21/30 | 21/27/36 |
| 22002-051012 | 22002-051612 | 22002-052512 | A | 12 | 19,01 | 10 | 6 | 18,25 | 23 | 15/21/30 | 21/27/36 |
| 22002-051014 | 22002-051614 | 22002-052514 | A | 14 | 22,29 | 13 | 8 | 21,45 | 25 | 15/21/30 | 21/27/36 |
| 22002-051015 | 22002-051615 | 22002-052515 | A | 15 | 23,88 | 16 | 10 | 23,05 | 28 | 15/21/30 | 21/27/36 |
| 22002-051016 | 22002-051616 | 22002-052516 | A | 16 | 25,47 | 18 | 11 | 24,6 | 32 | 15/21/30 | 21/27/36 |
| 22002-051018 | 22002-051618 | 22002-052518 | A | 18 | 28,65 | 20 | 12 | 27,8 | 30 | 15/21/30 | 21/27/36 |
| 22002-051019 | 22002-051619 | 22002-052519 | A | 19 | 30,25 | 22 | 12 | 29,4 | 36 | 15/21/30 | 21/27/36 |
| 22002-051020 | 22002-051620 | 22002-052520 | A | 20 | 31,83 | 23 | 14 | 31 | 36 | 15/21/30 | 21/27/36 |
| 22002-051022 | 22002-051622 | 22002-052522 | A | 22 | 35,12 | 24 | 15 | 34,25 | 38 | 15/21/30 | 21/27/36 |
| 22002-051024 | 22002-051624 | 22002-052524 | A | 24 | 38,21 | 26 | 15 | 37,4 | 42 | 15/21/30 | 21/27/36 |
| 22002-051025 | 22002-051625 | 22002-052525 | A | 25 | 39,8 | 26 | 15 | 39 | 44 | 15/21/30 | 21/27/36 |
| 22002-051026 | 22002-051626 | 22002-052526 | A | 26 | 41,47 | 26 | 16 | 40,6 | 44 | 15/21/30 | 21/27/36 |
| 22002-051027 | 22002-051627 | 22002-052527 | A | 27 | 42,98 | 30 | 18 | 42,2 | 48 | 15/21/30 | 21/27/36 |
| 22002-051028 | 22002-051628 | 22002-052528 | A | 28 | 44,62 | 32 | 18 | 43,75 | 48 | 15/21/30 | 21/27/36 |
| 22002-051030 | 22002-051630 | 22002-052530 | A | 30 | 47,76 | 34 | 18 | 46,95 | 51 | 15/21/30 | 21/27/36 |
| 22002-051032 | 22002-051632 | 22002-052532 | A | 32 | 50,94 | 38 | 22 | 50,1 | 54 | 15/21/30 | 21/27/36 |
| 22002-051036 | 22002-051636 | 22002-052536 | A | 36 | 57,31 | 38 | 22 | 56,45 | 63 | 15/21/30 | 21/27/36 |
| 22002-051040 | 22002-051640 | 22002-052540 | A | 40 | 63,66 | 40 | 23 | 62,85 | 66 | 15/21/30 | 21/27/36 |
| 22002-051042 | 22002-051642 | 22002-052542 | A | 42 | 66,87 | 40 | 24 | 66 | 71 | 15/21/30 | 21/27/36 |
| 22002-051044 | 22002-051644 | 22002-052544 | B | 44 | 70,07 | 45 | 26 | 69,2 | - | 15/21/30 | 21/27/36 |
| 22002-051048 | 22002-051648 | 22002-052548 | B | 48 | 76,42 | 50 | 28 | 75,55 | - | 15/21/30 | 21/27/36 |
| 22002-051060 | 22002-051660 | 22002-052560 | B | 60 | 95,52 | 65 | 35 | 94,65 | - | 15/21/30 | 21/27/36 |

Toothed belt pulleys

T profile

Toothed belt pulleys, T10 profile

| Order No. belt width 16 | Order No. belt width 25 | Order No. belt width 32 | Form | No. of teeth | D | D1 | D2 max. | D3 | D4 | B | L |
|----------------------------|----------------------------|----------------------------|------|-----------------|--------|-----|------------|--------|-----|----------|----------|
| 22002-101612 | 22002-102512 | - | A | 12 | 38,2 | 28 | 16 | 36,35 | 42 | 21/30 | 31/40 |
| 22002-101614 | 22002-102514 | - | A | 14 | 44,56 | 32 | 18 | 42,7 | 48 | 21/30 | 31/40 |
| 22002-101615 | 22002-102515 | - | A | 15 | 47,75 | 32 | 18 | 45,9 | 51 | 21/30 | 31/40 |
| 22002-101616 | 22002-102516 | - | A | 16 | 50,93 | 35 | 20 | 49,05 | 54 | 21/30 | 31/40 |
| 22002-101618 | 22002-102518 | 22002-103218 | A | 18 | 57,29 | 40 | 22 | 55,45 | 60 | 21/30/37 | 31/40/47 |
| 22002-101619 | 22002-102519 | 22002-103219 | A | 19 | 60,48 | 44 | 22 | 58,6 | 66 | 21/30/37 | 31/40/47 |
| 22002-101620 | 22002-102520 | 22002-103220 | A | 20 | 63,66 | 46 | 24 | 61,8 | 66 | 21/30/37 | 31/40/47 |
| 22002-101622 | 22002-102522 | 22002-103222 | A | 22 | 70,03 | 52 | 28 | 68,15 | 75 | 21/30/37 | 31/40/47 |
| 22002-101624 | 22002-102524 | 22002-103224 | A | 24 | 76,39 | 58 | 30 | 74,55 | 83 | 21/30/37 | 31/40/47 |
| 22002-101625 | 22002-102525 | 22002-103225 | A | 25 | 79,58 | 60 | 30 | 77,7 | 83 | 21/30/37 | 31/40/47 |
| 22002-101626 | 22002-102526 | 22002-103226 | A | 26 | 82,76 | 60 | 30 | 80,9 | 87 | 21/30/37 | 31/40/47 |
| 22002-101627 | 22002-102527 | 22002-103227 | A | 27 | 85,95 | 60 | 30 | 84,1 | 91 | 21/30/37 | 31/40/47 |
| 22002-101628 | 22002-102528 | 22002-103228 | A | 28 | 89,13 | 60 | 30 | 87,25 | 93 | 21/30/37 | 31/40/47 |
| 22002-101630 | 22002-102530 | 22002-103230 | A | 30 | 95,49 | 60 | 30 | 93,65 | 97 | 21/30/37 | 31/40/47 |
| 22002-101632 | 22002-102532 | 22002-103232 | A | 32 | 101,86 | 65 | 32 | 100 | 106 | 21/30/37 | 31/40/47 |
| 22002-101636 | 22002-102536 | 22002-103236 | A | 36 | 114,59 | 70 | 35 | 112,75 | 119 | 21/30/37 | 31/40/47 |
| 22002-101640 | 22002-102540 | 22002-103240 | A | 40 | 127,32 | 80 | 40 | 125,45 | 131 | 21/30/37 | 31/40/47 |
| 22002-101644 | 22002-102544 | 22002-103244 | B | 44 | 140,06 | 88 | 46 | 138,2 | - | 21/30/37 | 31/40/47 |
| 22002-101648 | 22002-102548 | 22002-103248 | B | 48 | 152,78 | 95 | 48 | 150,95 | - | 21/30/37 | 31/40/47 |
| 22002-101660 | 22002-102560 | 22002-103260 | B | 60 | 190,98 | 110 | 60 | 189,1 | - | 21/30/37 | 31/40/47 |