

Handwheels for position indicators



Material:

Cast aluminium.

Version:

Bright.

Sample order:

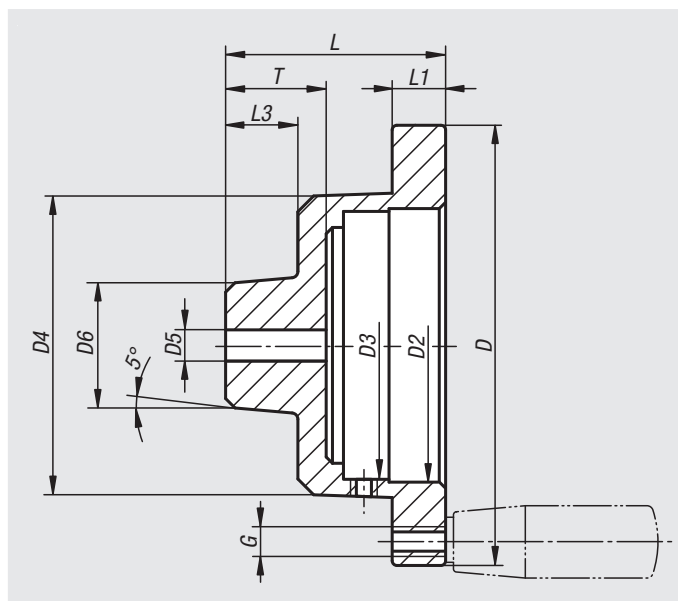
nIm 21972-801201

Note:

The handwheels have a recess for receiving position indicators.

Accessories:

- Position Indicators 21962
- Handles 06290 - 06320



Order No.	Size	D	D2	D3	D4	D5 predrilled	D6	G	L	L1	L3	T	Suitable for
21972-801201	80	120	87	85,2	95	6,8	40	M6	64	15	23	30	position indicator size 80
21972-801401	80	140	87	85,2	95	6,8	40	M8	70	17	23	30	position indicator size 80

20000 21000 22000 23000 24000 26000 27000 28000 29000 31000 32000 33000