

Adjusting knobs with position indicator

digital display



Material:

Housing plastic.
Hollow shaft steel.
Screen plastic.

Version:

Housing fibreglass reinforced.
Hollow shaft black oxidised.

Sample order:

nIm 21952-01501112
(Adjusting knob with 1.5 mm pitch, decimal point in first position from the right, torque support at 270°, direction of count ascending clockwise, colour black)

Note:

Adjusting knobs with integrated position indicators allow direct readout of set measurement values such as lengths, flow rates, speeds, etc, at a glance. In addition, the display value can be selected per spindle rotation (corresponding spindle pitch), with the different display values being realized by a variable ratio transmission. The torque support allows the use of the adjusting knobs in any assembly position, even in case of high vibrations.

** At the 1st asterisk give torque support and at the 2nd asterisk give the count direction (see sample order „torque support, count direction“).

On request:

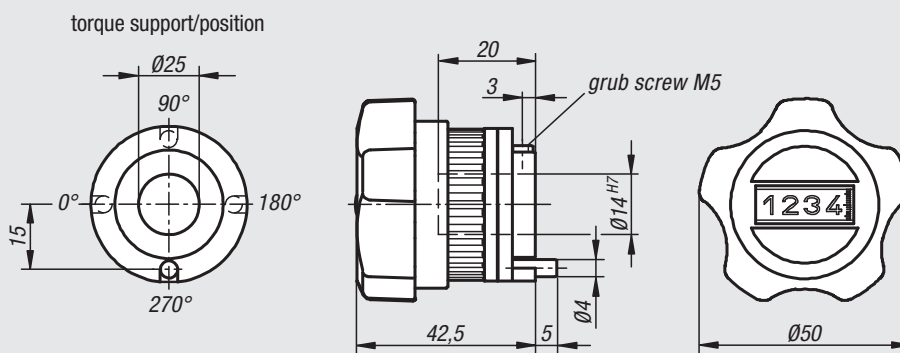
Other pitches

Accessories:

– Reducing bushes 21940

Technical data:

- Counter consisting of 4 10-position dials + fine scale
- Height of figures about 6 mm
- Hollow shaft Ø 14 H7 mm
- Temperature resistant to 80 °C
- Oil and solvent resistant



Indicator after one rotation, decimal point position:			Torque support (1 - 4):	
order number	for pitch	display		
0150	1.5	001,5		
0200	2	002,0		
0400	4	004,0		
0500	5	005,0		
1000	10	010,0		
e. g. 21952-01501112 0150 = 1.5 mm pitch 1 = decimal point at the 1 st position from the right			e. g. 21952-01501112 1 = 270° (standard)	

Count direction (1 - 2):		Colour (1 - 2):	
		1 2	
e. g. 21952-01501112 1 = clockwise (ascending values) 2 = anticlockwise (ascending values)		e. g. 21952-01501112 1 = red 2 = black	

Order No. red	Order No. black	Pitch	Indicator after one rotation	Decimal point in position
21952-01501**1	21952-01501**2	1,5	001,5	1
21952-02001**1	21952-02001**2	2	002,0	1
21952-04001**1	21952-04001**2	4	004,0	1
21952-05001**1	21952-05001**2	5	005,0	1
21952-10001**1	21952-10001**2	10	010,0	1

20000 21000 22000 23000 24000 26000 27000 28000 29000 31000 32000 33000