

Mounting brackets



Mounting brackets form a compact unit with position indicators. They guarantee reliable spindle clamping without additional construction work.

Material:

Mounting position 1, housing die-cast zinc
 Mounting position 3, housing aluminium.
 Clamping lever plastic.

Version:

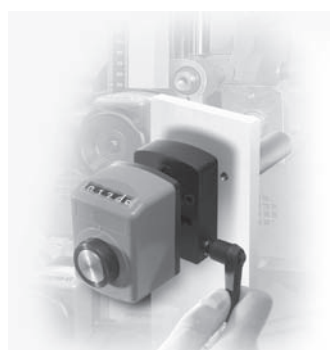
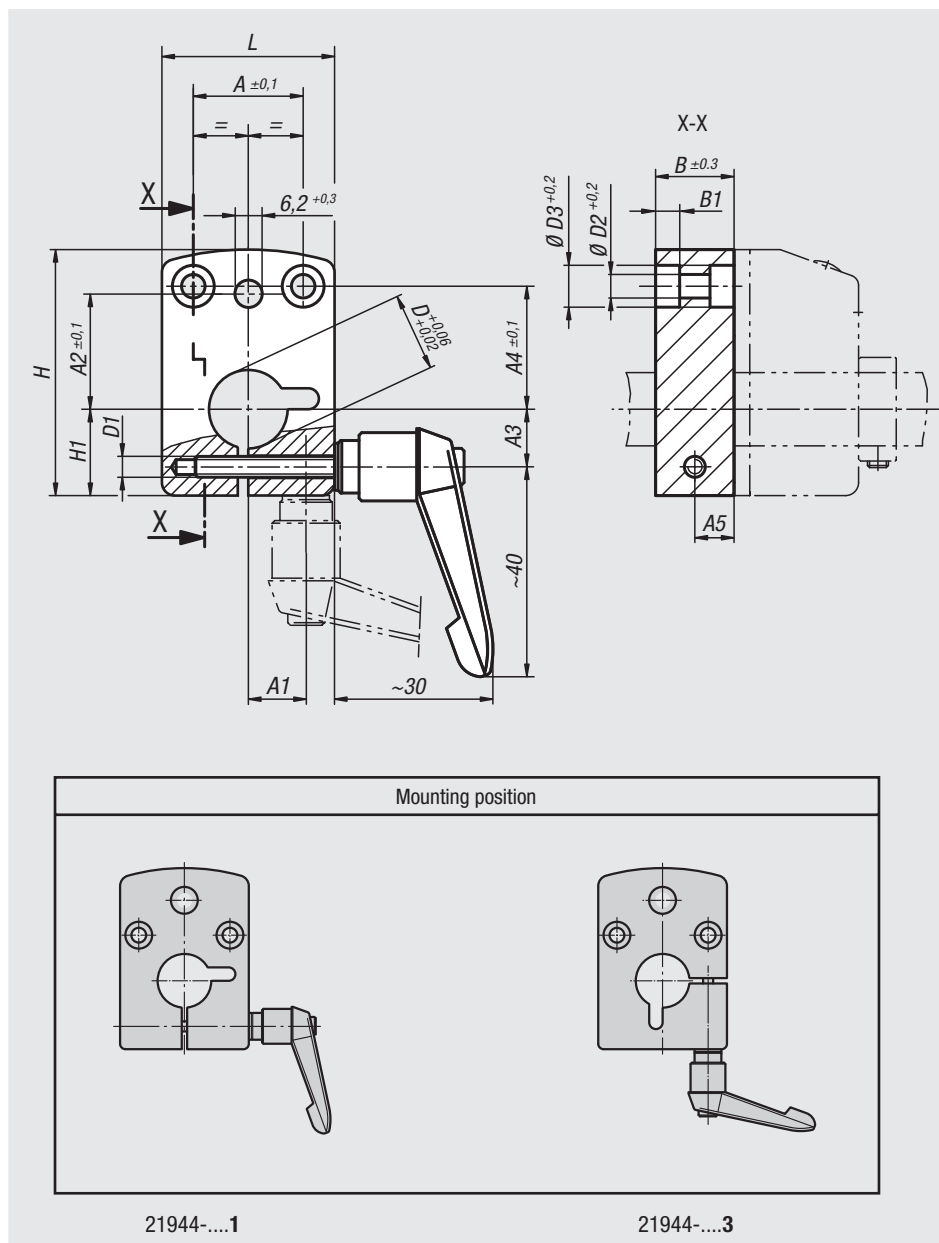
Installed position 1, housing, painted.
 Installed position 3, housing anodised.
 Clamping lever dark grey.

Sample order:

nIm 21944-09121

Note:

Due to the simple assembly, the mounting bracket is also suitable for retrofitting to existing systems.



Order No. Assembly position 1	Order No. Assembly position 3	A	A1	A2	A3	A4	A5	B	B1	D	D1	D2	D3	H	H1	L	Suitable for position indicator
21944-04081	21944-04083	21	-/11	22	11/-	23,5	7,5	15	4,6	8	M4	4,5	8	47	16,5	33	21902
21944-04101	21944-04103	21	-/11	22	11/-	23,5	7,5	15	4,6	10	M4	4,5	8	47	16,5	33	21902
21944-04121	21944-04123	21	-/11	22	11/-	23,5	7,5	15	4,6	12	M4	4,5	8	47	16,5	33	21902
21944-04141	21944-04143	21	-/11	22	11/-	23,5	7,5	15	4,6	14	M4	4,5	8	47	16,5	33	21902
21944-09121	21944-09123	34	-/17	30	17/-	17	10	20	5,5	12	M5	5,5	10	67,5	25,5	48	21904
21944-09141	21944-09143	34	-/17	30	17/-	17	10	20	5,5	14	M5	5,5	10	67,5	25,5	48	21904
21944-09161	21944-09163	34	-/17	30	17/-	17	10	20	5,5	16	M5	5,5	10	67,5	25,5	48	21904
21944-09201	21944-09203	34	-/17	30	17/-	17	10	20	5,5	20	M5	5,5	10	67,5	25,5	48	21904