

## Reducing bushings

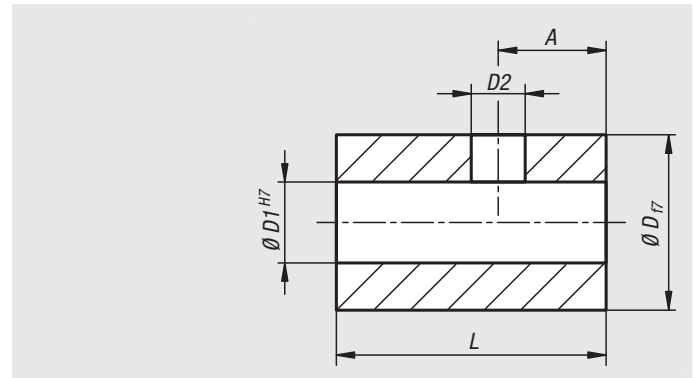
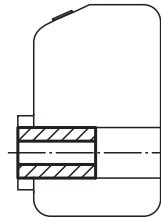


**Material:**  
Steel.

**Version:**  
Black oxidised.

**Sample order:**  
nlm 21940-1408 (include  $\emptyset D1=8$ )

**Note:**  
Reducing bushes are used for adapting the diameter between position indicator and positioning spindle.



Order No.	A	D	D1	D2	L	Suitable for position indicator
21940-10**	2,5	10	6/8	3,2	14	21901
21940-14**	3,5	14	6/8/10/12	4,2	17	21902, 21952
21940-20**	4,5	20	12/14/16/18	5,5	20	21904
21940-30**	4	30	12/14/16/18/20/25	5,5	30	21922

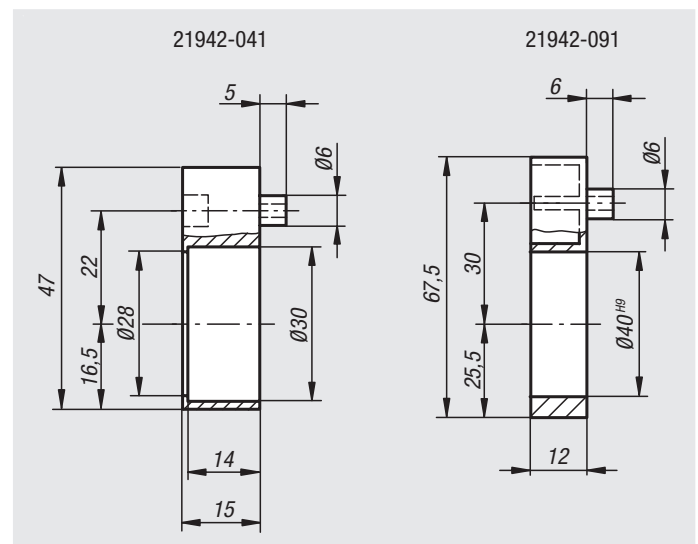
## Intermediate plates



**Material:**  
Plastic

**Sample order:**  
nlm 21942-041

**Note:**  
Intermediate plates are used for mounting shaft collars and radial shaft seals.



Order No.	Suitable for position indicator
21942-041	21902, 21923
21942-091	21904, 21922