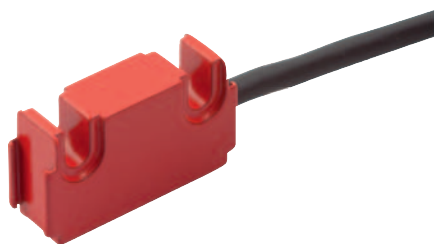


Magnetic sensors, passive sensors, miniature design

IO link interface

**Material:**

Housing aluminium.
Cable sheath PUR.

Version:

Compact sensor and connector design.
M8 connector, 6-pole, 1x pin (E15).
Connection cable, mm 6-wire \varnothing 5.2 mm.
Bend radius \geq 52 mm (dynamic).

Sample order:

nlm 21924-01-010001

Note:

Uses magnetic tapes 21725. The reading distance between sensor and tape must be 0.1 to 2 mm. The operating voltage and current for the sensor are supplied from the downstream electronics. System accuracy, repeat accuracy, and travel speed depend on the downstream electronics.
Plug-in connection at position indicators 21924.

Temperature range:

- Ambient temperature 0...60°C
- Storage temperature -10...70°C

Assembly:

Installation must be carried out using the enclosed user information.

A, reading distance sensor/tape \leq 2 mm
B, lateral offset \pm 2 mm
C, misalignment \pm 3°
D, pitch gradient \pm 1°
E, lateral gradient \pm 3°

Accessories:

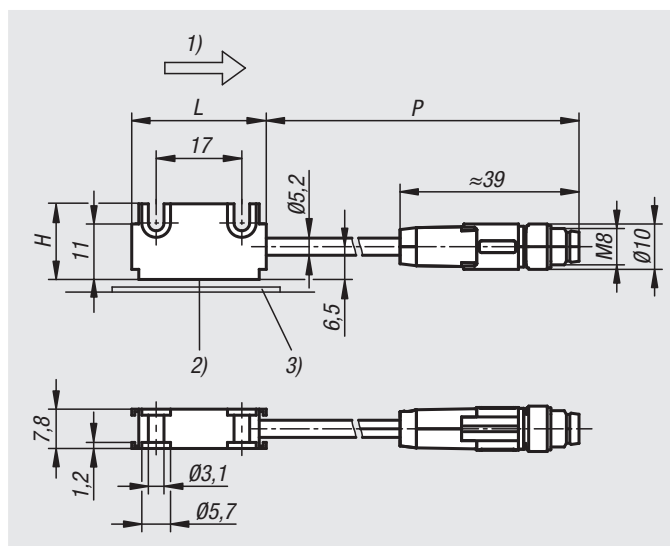
Position indicators 21924.
Magnetic tapes 21725.

Attention:

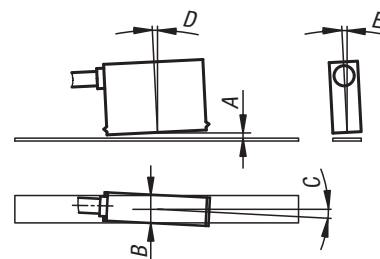
Relative humidity 100%. Dewing is permissible (sensor head).

Technical data:

- Rating IP 67; EN 60529 (sensor head)
- Shock resistance 2000 m/s², 11 ms; EN 60068-2-27
- Vibration resistance 200 m/s², 50 Hz–2 kHz; EN 60068-2-6

**Drawing reference:**

- 1) Sine before cosine
- 2) Active measuring surface
- 3) Magnetic tape



Magnetic sensors, passive sensors, miniature design IO link interface

Order No.	H	L	P	for Art. No.
21924-01-010001	15	26,7	1000	21924-1531 / 21924-1651
21924-01-020001	15	26,7	2000	21924-1531 / 21924-1651