

Position indicators

freely programmable



Material:

Housing plastic.
Hollow shaft steel.
Screen LCD display.
Grub screw steel.

Version:

Hollow shaft black oxidised.
Grub screw black.

Sample order not programmed:

nIm 21923-12
(Position indicator with mounted position 1, colour black)

Sample order programmed:

nIm 21923-0200021120
(see ordering example on the next page)

Note:

The electronic position indicators offer diverse opportunities compared to mechanical position indicators because they display angles as well as uncommon spindle pitches and record each fraction of spindle movement.

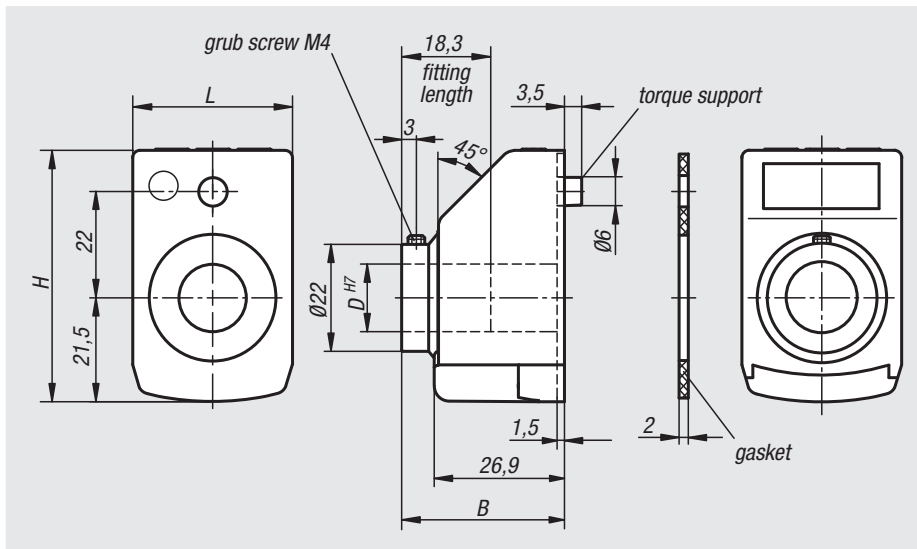
* Freely programmable parameters using the programming software 21922-09.

Features:

- indicated value and decimal point freely programmable
- linear or angle mode
- function key for zero-point position
- function key for switching between the absolute dimension and chain dimension
- programming of an offset value directly at the device
- easy battery change

Accessories:

- reducing bushes 21940
- programming software 21922-09



Technical data:

- LCD Display with 5 digits
- Digit size approx. 8 mm
- Display range from -19999 ... 99999
- Hollow shaft Ø 14 H7 mm
- Operating temperature -10 °C to +60 °C
- Storage temperature -30 °C to +80 °C
- Revolution max. 600 rpm
- Lithium battery button cell 3V, type CR 2032. service life ca. 2 years
- Vibration-resistance acc. to DIN IEC 68-2-6 10 g / (5 ... 150 Hz), 20 g / (100 ... 2000 Hz)
- Shock-resistance acc. to DIN IEC 68-2-27 30 g / 15 ms
- EMC DIN EN 61000-4-2; DIN EN 61000-4-4
- Protection IP 51

Position indicators programmed

Order No.	Version 1	Version 2	B	D	H	L
21923-	See sample order for position Indicators programmed	freely programmable	33,6	14	52	33

Position indicators not programmed*

Order No.	Assembly position	Main colour	Version 2	Order No. software
21923-11	1	orange	freely programmable	21922-09
21923-12	1	black	freely programmable	21922-09
21923-31	3	orange	freely programmable	21922-09
21923-32	3	black	freely programmable	21922-09

20000 21000 22000 23000 24000 26000 27000 28000 29000 31000 32000 33000