

Position indicators



Material:
 Housing polyamide 6.
 Hollow shaft steel.
 Screen plastic.
 Grub screw steel.

Version:
 Impact-resistant housing.
 Hollow shaft black oxidised.
 Grub screw black.
 Dial black, digits white.

Sample order:
 nlm 21904-01002111
 (Position indicator with 1 mm pitch, decimal point in second position from the right, assembly position 1, direction of count ascending clockwise, colour orange)

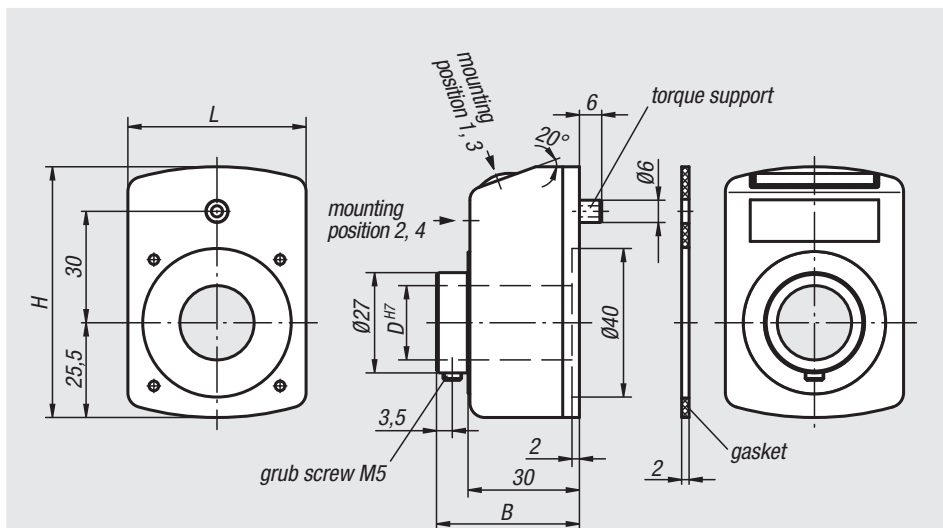
Note:
 Position indicators allow direct reading of input measurement values at a glance. In addition the value indicated per spindle rotation (corresponding spindle pitch) can be selected and the various indicator values are realised by a transmission gear. The position indicators are distinguished by their very clear display and fine scale. They have a torque support that is positioned in a hole on the side.

** At the 1st asterisk give assembly position and at the 2nd asterisk give the count direction (see sample order "assembly position, count direction").

On request:
 – Counter cover made of mineral glass
 – Stainless steel driveshaft
 – Axial sealing (dust-proof)
 – Waterproof
 – Vibration protection

Accessories:
 – Reducing bushes 21940
 – Insert plate 21942
 – Mounting plates 21944

Technical data:
 – Counter consisting of 5 10-position dials + fine scale
 – Height of figures about 7 mm
 – Hollow shaft \varnothing 20 H7 mm
 – Temperature resistant to 80 °C
 – Oil and solvent resistant
 – Dust-proof



Display after one rotation, with decimal point:	Mounting position (1 - 4):
e. g. 21904-01002111 0100 = 1 mm increments 2 = decimal places	e. g. 21904-01002111 = mounting position 1

Count direction (1 - 2):	Colour (1 - 2):
e. g. 21904-01002111 1 = clockwise (ascending values) 2 = anticlockwise (ascending values)	e. g. 21904-01002111 1 = orange 2 = black

Order No. orange RAL 2004	Order No. black	B	D	H	L	Pitch	Indicator after one rotation	Decimal point in position	Max. rpm
21904-01002**1	21904-01002**2	38,5	20	67,5	48	1	000,10	2	500
21904-01001**1	21904-01001**2	38,5	20	67,5	48	1	0001,0	1	500
21904-01501**1	21904-01501**2	38,5	20	67,5	48	1,5	0001,5	1	500
21904-02001**1	21904-02001**2	38,5	20	67,5	48	2	0002,0	1	500
21904-02501**1	21904-02501**2	38,5	20	67,5	48	2,5	0002,5	1	500
21904-03001**1	21904-03001**2	38,5	20	67,5	48	3	0003,0	1	500
21904-04001**1	21904-04001**2	38,5	20	67,5	48	4	0004,0	1	450
21904-05001**1	21904-05001**2	38,5	20	67,5	48	5	0005,0	1	300
21904-06001**1	21904-06001**2	38,5	20	67,5	48	6	0006,0	1	250
21904-10001**1	21904-10001**2	38,5	20	67,5	48	10	0010,0	1	150