

Position indicators



Material:

Housing polyamide 6.
Hollow shaft steel.
Screen plastic.
Grub screw steel.

Version:

Impact-resistant housing.
Hollow shaft black oxidised.
Grub screw black.
Dial black, digits white.

Sample order:

nIm 21902-01002111
(Position indicator with 1 mm pitch, decimal point in second position from the right, assembly position 1, direction of count ascending clockwise, colour orange)

Note:

Position indicators allow direct reading of input measurement values at a glance. In addition, the value indicated per spindle rotation (corresponding spindle pitch) can be selected and the various indicator values are realised by a transmission gear. The position indicators are distinguished by their small construction with very clear display and fine scale. They are especially suitable for small spindle distances and small shaft diameters and have a torque support that is positioned in a hole on the side.

** At the 1st asterisk give assembly position and at the 2nd asterisk give the count direction (see sample order "assembly position, count direction").

On request:

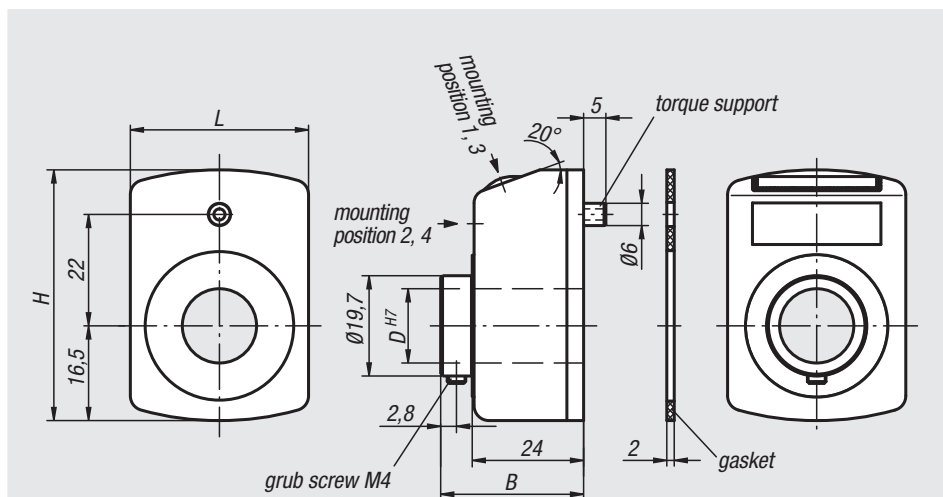
- Counter cover made of mineral glass
- Stainless steel driveshaft
- Axial sealing (dust-proof)
- Vibration protection

Accessories:

- Reducing bushes 21940
- Insert plate 21942
- Mounting plates 21944

Technical data:

- Counter consisting of 4 10-position dials + fine scale
- Height of figures about 6 mm
- Hollow shaft \varnothing 14 H7 mm
- Temperature resistant to 80 °C
- Oil and solvent resistant



| Display after one rotation, with decimal point: | Mounting position (1 - 4): |
|--|---|
| | |
| e. g. 21902-01002111 0100 = 1 mm increments 2 = decimal places | e. g. 21902-01002111 = mounting position 1 |

| Count direction (1 - 2): | Colour (1 - 2): |
|--|---|
| | |
| e. g. 21902-01002111 1 = clockwise (ascending values) 2 = anticlockwise (ascending values) | e. g. 21902-01002111 1 = orange 2 = black |

| Order No. orange RAL 2004 | Order No. black | B | D | H | L | Pitch | Assembly position | Indicator after one rotation | Decimal point in position | Max. rpm |
|------------------------------|--------------------|----|----|----|----|-------|-------------------|------------------------------|---------------------------|----------|
| 21902-01002**1 | 21902-01002**2 | 31 | 14 | 47 | 33 | 1 | 1 | 00,10 | 2 | 500 |
| 21902-01001**1 | 21902-01001**2 | 31 | 14 | 47 | 33 | 1 | 1 | 001,0 | 1 | 500 |
| 21902-01251**1 | 21902-01251**2 | 31 | 14 | 47 | 33 | 1,25 | 1 | 001,2/5 | 1 | 500 |
| 21902-01501**1 | 21902-01501**2 | 31 | 14 | 47 | 33 | 1,5 | 1 | 001,5 | 1 | 500 |
| 21902-02001**1 | 21902-02001**2 | 31 | 14 | 47 | 33 | 2 | 1 | 002,0 | 1 | 500 |
| 21902-02501**1 | 21902-02501**2 | 31 | 14 | 47 | 33 | 2,5 | 1 | 002,5 | 1 | 500 |
| 21902-03001**1 | 21902-03001**2 | 31 | 14 | 47 | 33 | 3 | 1 | 003,0 | 1 | 500 |
| 21902-04001**1 | 21902-04001**2 | 31 | 14 | 47 | 33 | 4 | 1 | 004,0 | 1 | 375 |
| 21902-05001**1 | 21902-05001**2 | 31 | 14 | 47 | 33 | 5 | 1 | 005,0 | 1 | 300 |
| 21902-06001**1 | 21902-06001**2 | 31 | 14 | 47 | 33 | 6 | 1 | 006,0 | 1 | 250 |
| 21902-08001**1 | 21902-08001**2 | 31 | 14 | 47 | 33 | 8 | 1 | 008,0 | 1 | 180 |
| 21902-10001**1 | 21902-10001**2 | 31 | 14 | 47 | 33 | 10 | 1 | 010,0 | 1 | 150 |