

# Reducer sleeves

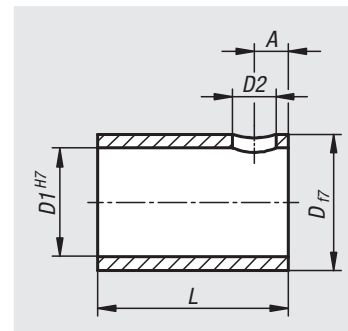


**Material:**  
Stainless steel

**Version:**  
Bright.

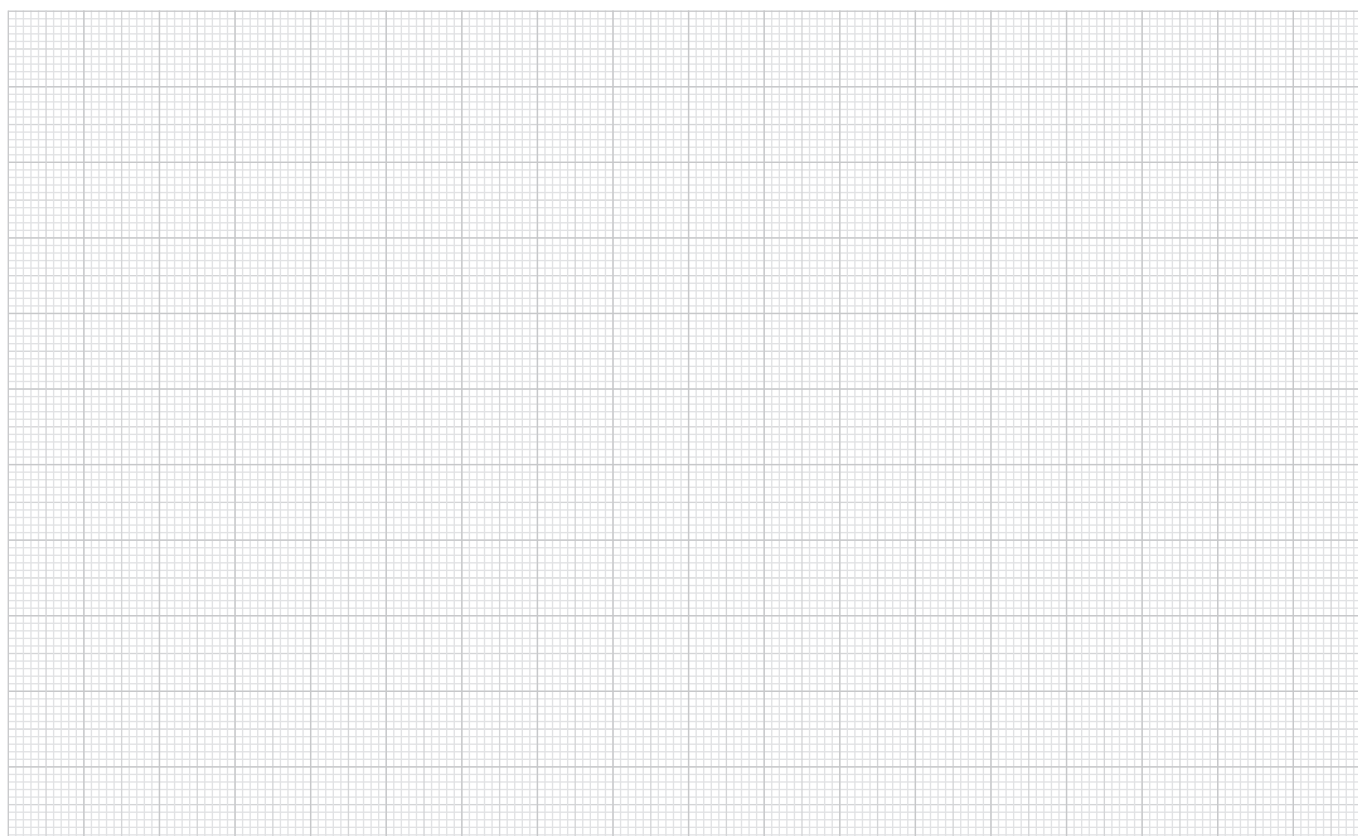
**Sample order:**  
nlm 21740-112012

**Note:**  
Reducer sleeves are used to change the diameter between the hollow shaft sensor and adjustment spindle.



Order No.	A	D	D1	D2	L	Suitable for
21740-112012	3	20	12	3,6	20	21730
21740-112014	3	20	14	3,6	20	21730
21740-112016	3	20	16	3,6	20	21730
21740-112018	3	20	18	3,6	20	21730

## Notes



20000 21000 22000 23000 24000 26000 27000 28000 29000 31000 32000 33000