

Hollow shaft sensors

with magnetic scanning



Material:

Shaft stainless-steel.
Housing plastic.
Cable sheath PVC.

Version:

Housing black.
Flat connector, 8-pole, 1x pin.
Cable bend radius, > 17 mm (fixed).

Sample order:

nIm 21730-0500

Note:

For speeds ≤ 600 rpm.
Simple assembly for hollow shafts up to max. 20 mm.
Plug-in connection to position indicators 21700 and 21702.
The sensor is supplied with operating voltage and draws current via the electronics.
The resolution and measuring range are dependent on the electronics.

Temperature range:

- Ambient temperature 0–60°C
- Storage temperature -10–70°C

Assembly:

Installation must be carried out according to the enclosed user information.

Accessories:

Position indicators 21700 and 21702.
Reducer sleeves 21740.

Attention:

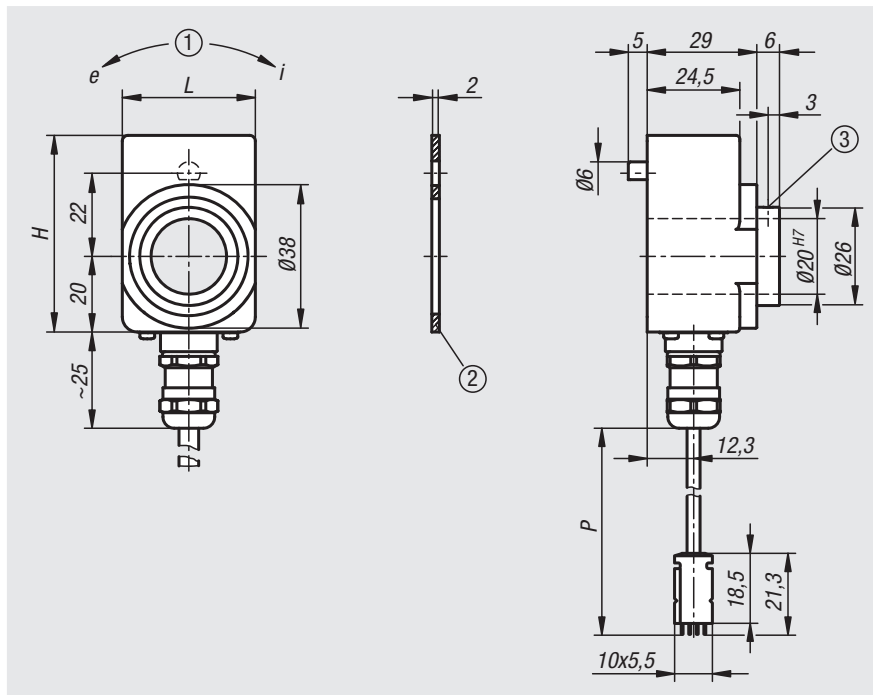
Dewing is not permissible.

Technical data:

- Rotative sensor
- Magnetic scanning via a magnet wheel with 18 poles each 5 mm
- Rating IP 65; EN60529

Drawing reference:

- 1) Direction of rotation
- 2) Sealing plate
- 3) Grub screw, M3 (2x120)



Order No.	H	L	P
21730-0500	52	35,2	500
21730-1000	52	35,2	1000
21730-2000	52	35,2	2000