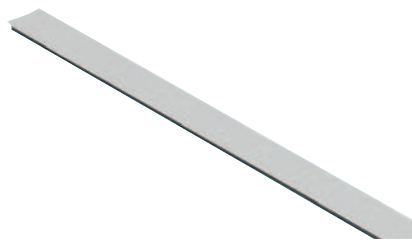


# Magnetic tape

scale with incremental coding, 5 mm pole length



## Material:

Magnetic tape, magnetised plastic sheet.  
Carrier band steel.  
Cover band stainless steel.

## Version:

Scale with incremented coding.  
Pole length 5 mm.

## Sample order:

nlm 21725-010X1000

## Note:

Simple adhesive mounting; self-assembly possible.  
Required tape length calculated from:  
measuring path + sensor length „L“ + (2 x run or return „B“).  
L = see drawing of sensor used.  
B = 10 mm (run and return).

## Temperature range:

- Ambient temperature -20–70°C  
- Storage temperature -40–70°C

## Assembly:

Installation using the pre-affixed double-sided adhesive tape must be carried out according to the enclosed user information.

## On request:

Other lengths from 0.1–100 m, in increments of 0.1 m.

## Attention:

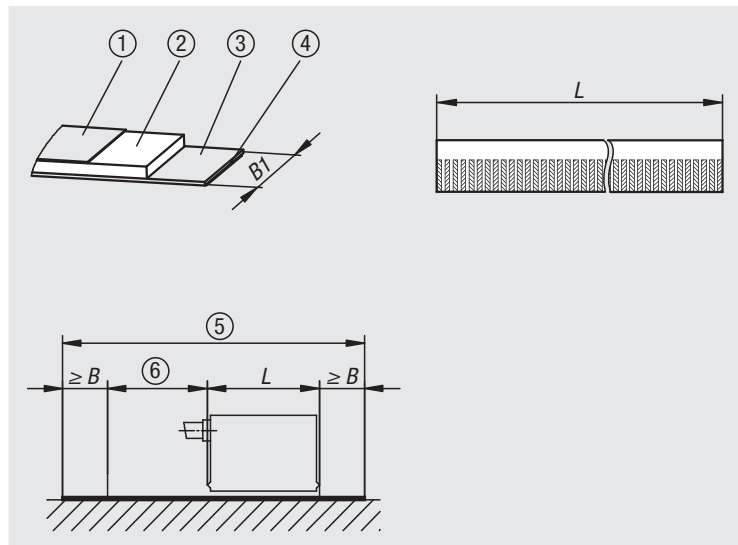
Relative humidity 100%. Dewing is permissible.

## Technical data:

- Coefficient of expansion  $(11 \pm 1) \times 10^{-6}/K$  (spring steel)

## Drawing reference:

- 1) Cover band A = 0.176 mm
- 2) Magnetic tape M = 1.0 mm
- 3) Carrier band T = 0.3 mm
- 4) Adhesive tape K = 0.1 mm
- 5) Required tape length = measuring path + L + 2 x B
- 6) Measuring path



Order No.	B1	L	Precision mm
21725-010X1000	10	1000	0,1
21725-010X2000	10	2000	0,1
21725-010X3000	10	3000	0,1
21725-010X4000	10	4000	0,1
21725-010X5000	10	5000	0,1
21725-010X6000	10	6000	0,1
21725-010X7000	10	7000	0,1
21725-010X8000	10	8000	0,1
21725-010X9000	10	9000	0,1
21725-010X10000	10	10000	0,1