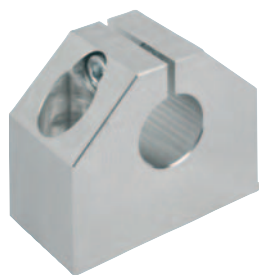


# Shaft supports



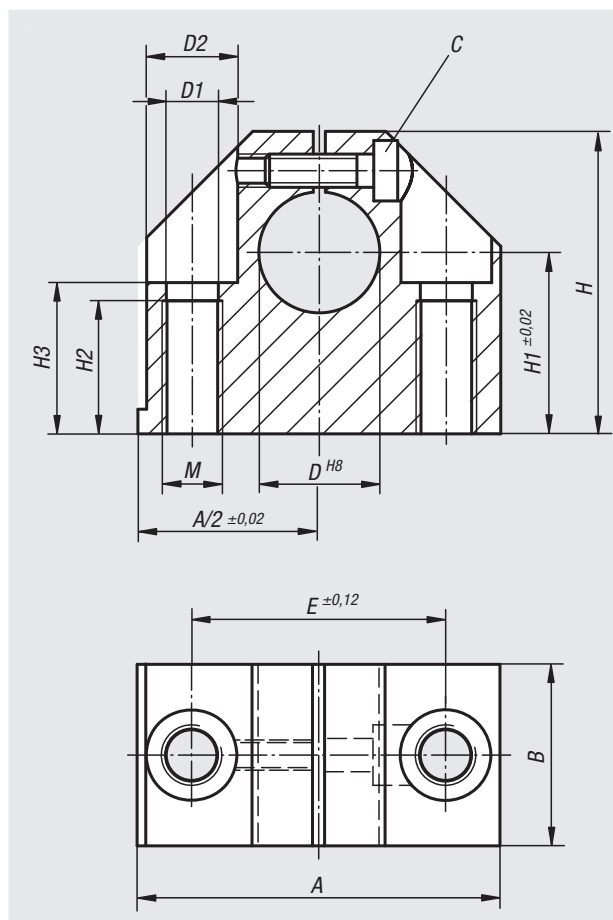
**Material:**  
Aluminium.

**Version:**  
Bright.

**Sample order:**  
nlm 21580-12

**Note:**  
Shaft support with bore for easy and secure clamping and fastening the guide shafts.

**Accessories:**  
Precision guide shafts 21595.  
Fastening screws 07160 or 07161.



Order No.	A	B	D	D1	D2	E	H	H1	H2	H3	M	C (DIN 912)
21580-12	43	20	12	5,2	10	30	35	20	13	16,5	M6	M4
21580-16	53	24	16	6,8	11	38	42	25	18	21	M8	M5
21580-20	60	30	20	8,6	15	42	50	30	22	25	M10	M6
21580-25	78	38	25	10,3	18	56	60	35	26	30	M12	M8
21580-30	87	40	30	10,3	18	64	70	40	26	34	M12	M8
21580-40	108	48	40	14,25	20	82	90	50	34	44	M16	M10
21580-50	132	58	50	17,5	26	100	105	60	43	49	M20	M12

20000 21000 22000 23000 24000 26000 27000 28000 29000 31000 32000 33000