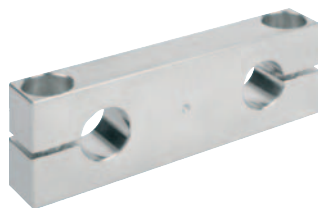


Traverses moveable



Material:
Aluminium.

Version:
Bright.

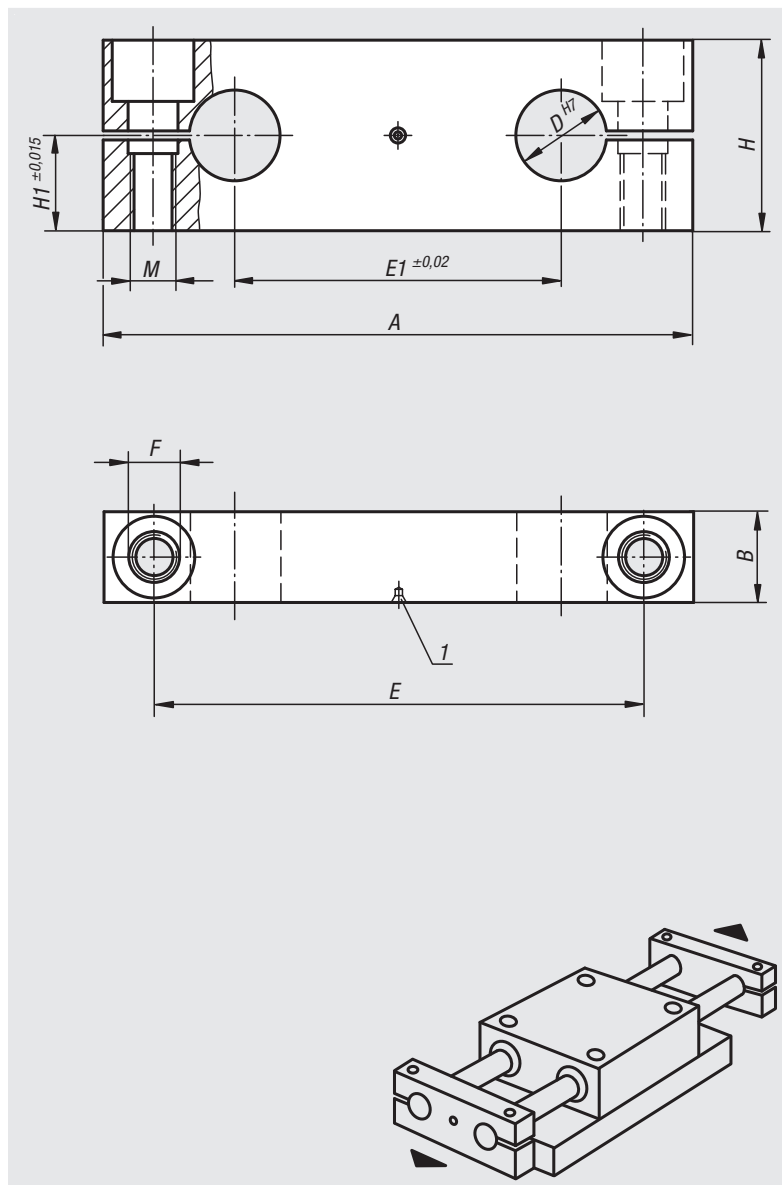
Sample order:
nlm 21577-12

Note:
Traverse with two bores for easy and secure clamping and fastening of guide shafts. For the assembly of prefabricated table units with our Quadro linear housing units 21550 or 21555.

By fixed mounted linear bearing units these traverses permit the shaft to travel with the travers.

Accessories:
Precision guide shafts 21595.
Fastening screws 07160 or 07161.

Drawing reference:
1) centring hole



Order No.	A	B	D	E	E1	F hole for ISO 4762 cap screw	H	H1	M
21577-12	85	14	12	70	42	6,6	28	14	M6
21577-16	100	18	16	82	54	9	32	16	M8
21577-20	130	20	20	108	72	11	42	21	M10
21577-25	160	25	25	132	88	13,5	52	26	M12
21577-30	180	25	30	150	96	13,5	58	29	M12
21577-40	230	30	40	190	122	17,5	72	36	M16
21577-50	280	30	50	240	152	17,5	88	44	M16