

Traverses fixed



Material:
Aluminium.

Version:
Bright.

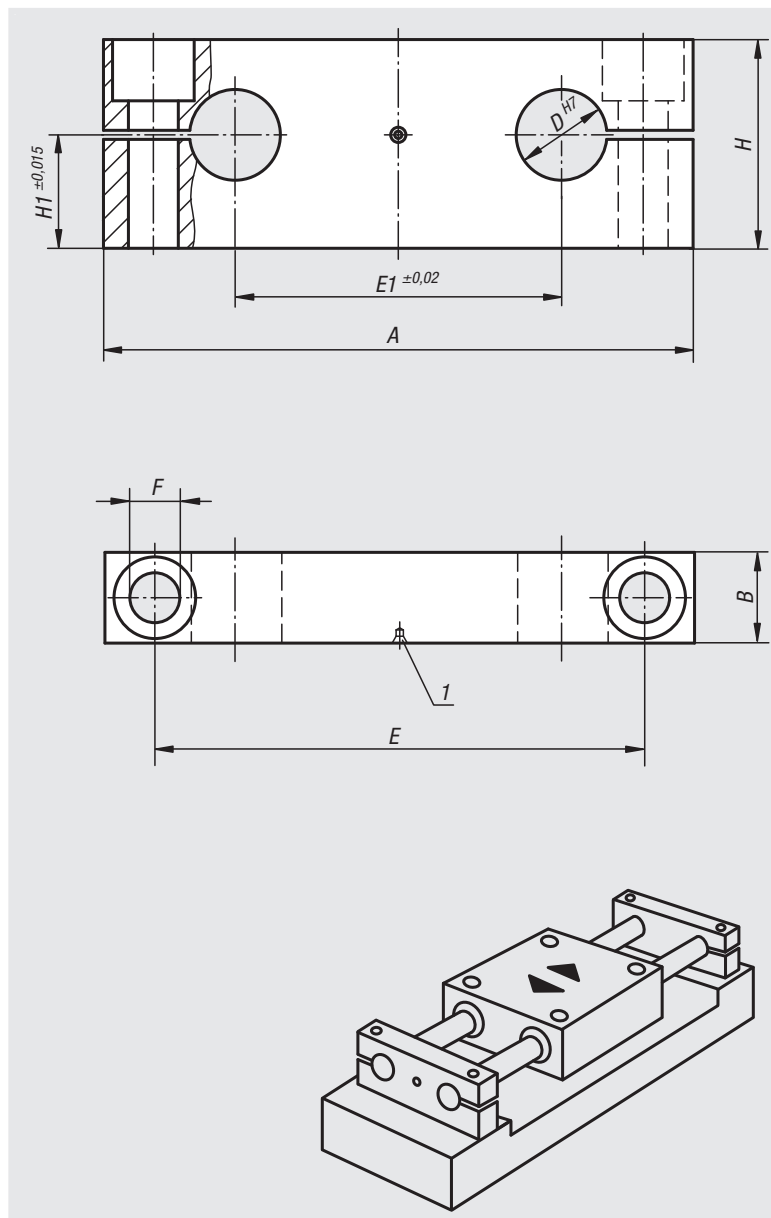
Sample order:
nlm 21575-12

Note:
Traverse with two bores for easy and secure clamping and fastening of guide shafts. For the assembly of prefabricated table units with our Quadro linear housing units 21550 or 21555.

This version permits the axial motion of the linear bearing unit i.e. the shafts are mounted fixed with the traverses on the machine bed.

Accessories:
Precision guide shafts 21595.
Fastening screws 07160 or 07161.

Drawing reference:
1) centring hole



Order No.	A	B	D	E	E1	F hole for ISO 4762 cap screw	H	H1
21575-20	130	20	20	108	72	11	46	25
21575-12	85	14	12	70	42	6,6	32	18
21575-16	100	18	16	82	54	9	36	20
21575-25	160	25	25	132	88	13,5	56	30
21575-30	180	25	30	150	96	13,5	64	35
21575-40	230	30	40	190	122	17,5	80	44
21575-50	280	30	50	240	152	17,5	96	52