

End seals

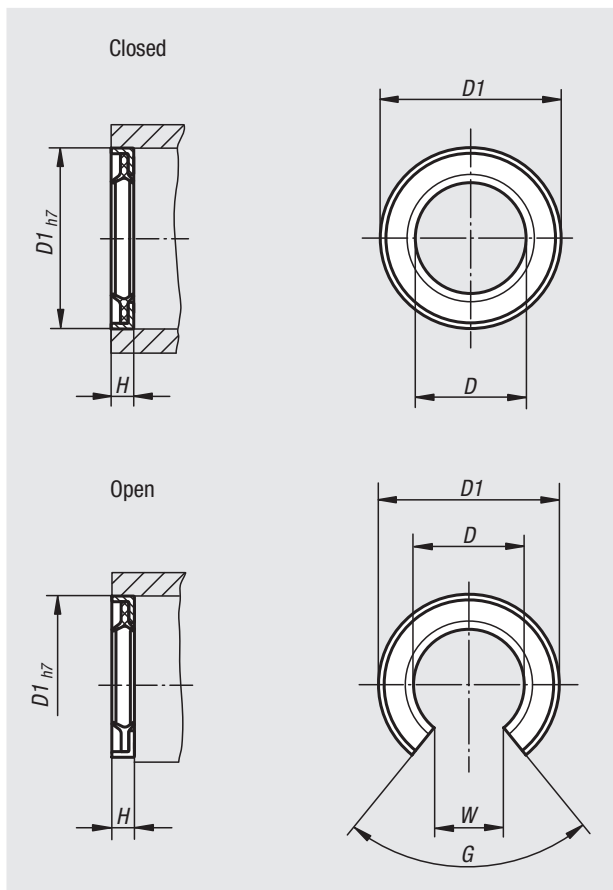
double-lip sealing rings



Material:
Ring steel.
Rubber NBR.

Sample order:
nlm 21560-120

Note:
In addition to the standard seals for linear ball bearings, these end seals are also available. The end seals give much better protection from dirt and dust. The seals are inserted into the housing bores (tolerance H7) in front of the bearings and secured with glue.



Order No. closed	Order No. open	D	D1	H	G	W
21560-120	21560-121	12	22	3	-/78°	-/7,5
21560-160	21560-161	16	26	3	-/78°	-/10
21560-200	21560-201	20	32	4	-/60°	-/10
21560-250	21560-251	25	40	4	-/60°	-/12,5
21560-300	21560-301	30	47	5	-/50°	-/12,5
21560-400	21560-401	40	62	5	-/56°	-/18,7

20000 21000 22000 23000 24000 26000 27000 28000 29000 31000 32000 33000