

Linear housing units, aluminium, compact,

single, closed



Material:

Housing aluminium

Version:

Bright.

Sample order:

nIm 21530-10-161102

Note:

The ready-to-install compact linear housing consists of extruded aluminium housing, installed linear ball bearing 21511-02 and double-sided seal.

Recommended shaft tolerance: h6.

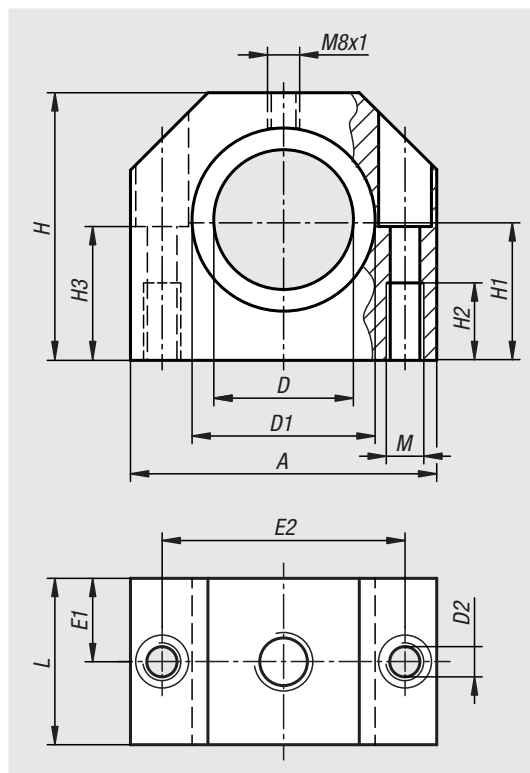
Load rating according to specification of the linear ball bearing.

With lubrication hole M8x1.

Accessories:

Precision guide shafts 21595.

Fastening screws 07160.



Order No.	A	D	D1	D2	E1	E2	H	H1	H2	H3	L	M
21530-10-121102	40	12	19	4,3	14	29	33	17	11	16	28	M5
21530-10-161102	45	16	24	4,3	15	34	38	19	11	18	30	M5
21530-10-201102	53	20	28	5,3	15	40	45	23	13	22	30	M6
21530-10-251102	62	25	35	6,6	20	48	54	27	18	26	40	M8
21530-10-301102	67	30	40	6,6	25	53	60	30	18	29	50	M8
21530-10-401102	87	40	52	8,4	30	69	76	39	22	38	60	M10
21530-10-501102	103	50	62	10,5	35	82	92	47	26	46	70	M12

20000
21000
22000
23000
24000
26000
27000
28000
29000
31000
32000
33000