

# Linear ball bearings

with round flange, double bearing



### Material:

Housing steel.  
Cage plastic.  
Balls steel.

### Sample order:

nIm 21520-1202

### Note:

The linear ball bearings correspond to series 3 of ISO 10285. With double-sided seal. The linear ball bearings have a plastic cage which results in quiet and outstanding running properties. With flange for direct mounting on the housing. Double bearing version for use under torque loads.

Recommended tolerances:

Shaft: h6

Housing: H7

Linear ball bearings with double-sided seal should be greased before installation.

The specified load ratings apply with the use of hardened and ground shafts.

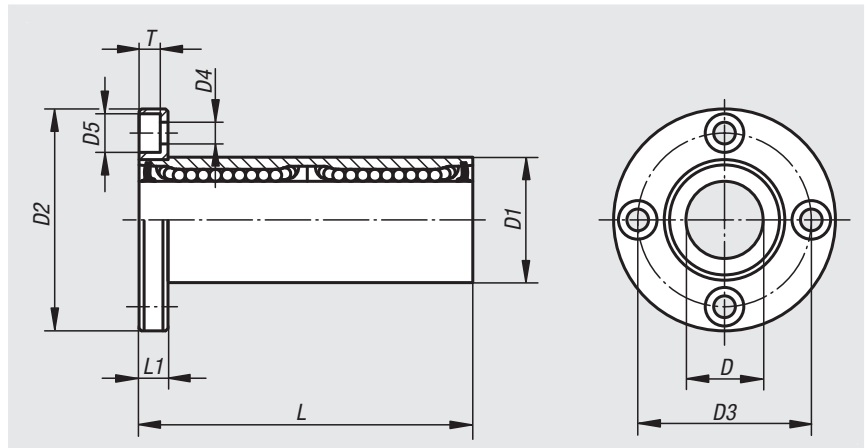
### Temperature range:

-20 °C to +80 °C.

### Accessories:

Precision guide shafts 21595.

Fastening screws 07160.



Order No.	D	D1	D2	D3	D4	D5	L	L1	T	Dynamic load rating N	Static load rating N
21520-2502	25	40	62	51	5,5	9	112	8	5,1	1560	3140
21520-1202	12	22	42	32	4,5	7,5	61	6	4,1	657	1200
21520-1602	16	26	46	36	4,5	7,5	68	6	4,1	1230	2350
21520-2002	20	32	54	43	5,5	9	80	8	5,1	1400	2750
21520-3002	30	47	76	62	6,6	11	123	10	6,1	2490	5490
21520-0802	8	16	32	24	3,4	6	46	5	3,1	421	804
21520-4002	40	62	98	80	9	14	151	13	8,1	3430	8040
21520-5002	50	75	112	94	9	14	192	13	8,1	6080	15900