

# Linear ball bearings

with round flange



### Material:

Housing steel.  
Cage plastic.  
Balls steel.

### Sample order:

nIm 21518-1202

### Note:

The linear ball bearings correspond to series 3 of ISO 10285.  
With double-sided seal. The linear ball bearings have a plastic cage which results in quiet and outstanding running properties. With flange for direct mounting on the housing.

Recommended tolerances:

Shaft: h6

Housing: H7

Linear ball bearings with double-sided seal should be greased before installation.

The specified load ratings apply with the use of hardened and ground shafts.

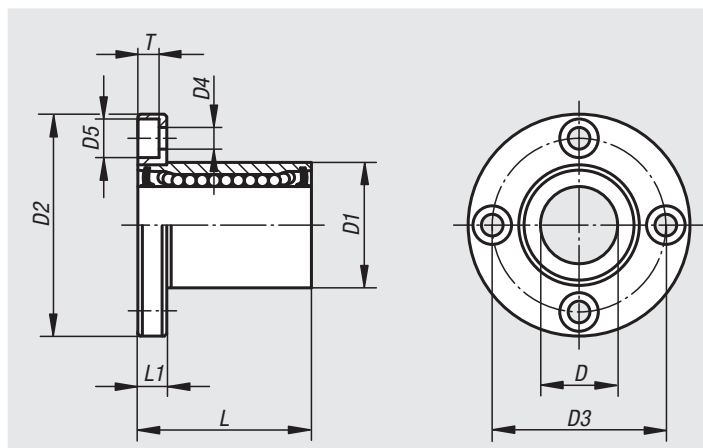
### Temperature range:

-20 °C to +80 °C.

### Accessories:

Precision guide shafts 21595.

Fastening screws 07160.



Order No.	D	D1	D2	D3	D4	D5	L	L1	T	Dynamic load rating N	Static load rating N
21518-0802	8	16	32	24	3,4	6	25	5	3,1	265	402
21518-1202	12	22	42	32	4,5	7,5	32	6	4,1	520	790
21518-1602	16	26	46	36	4,5	7,5	36	6	4,1	590	910
21518-2002	20	32	54	43	5,5	9	45	8	5,1	880	1400
21518-2502	25	40	62	51	5,5	9	58	8	5,1	1000	1600
21518-3002	30	47	76	62	6,6	11	68	10	6,1	1600	2800
21518-4002	40	62	98	80	9	14	80	13	8,1	2160	4020
21518-5002	50	75	112	94	9	14	100	13	8,1	3820	7940