

Item description/product images



**Description**

**Material:**

Guide bushes low carbon steel 1.7139.  
Ball cage brass.

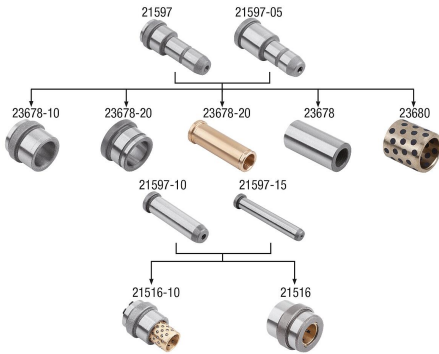
**Version:**

Steel case-hardened.

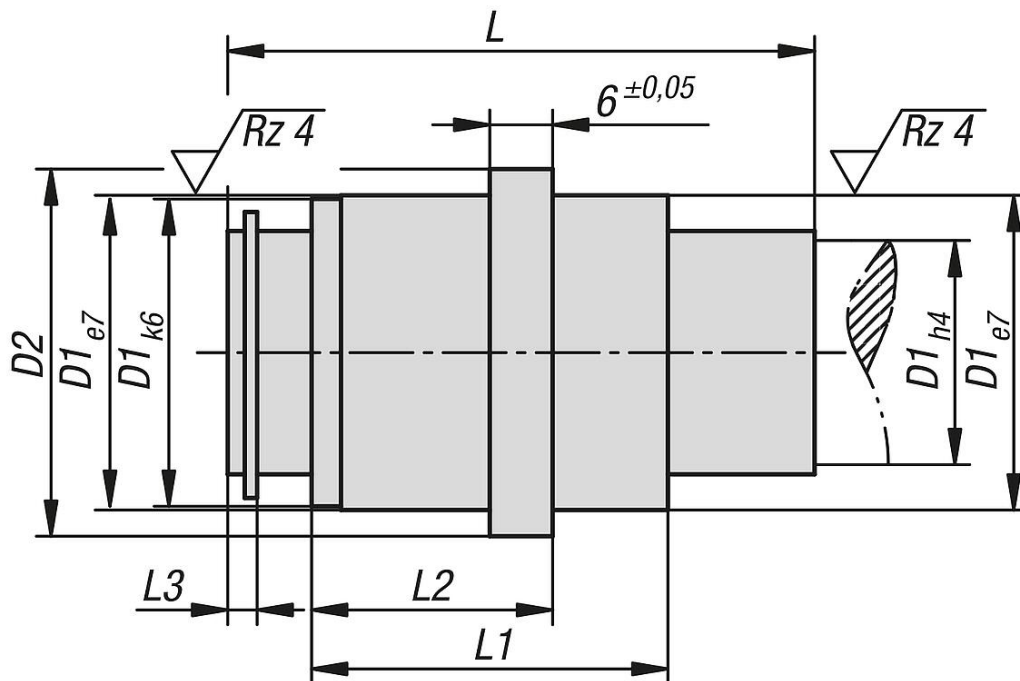
**Note:**

The steel ball guides can be used in tool and die making.  
The ball guides offer precise linear guidance, high load capacity, good accuracy, robustness and low-friction movements. Through their properties, they help to increase production quality and overcome the challenges of complex manufacturing processes.

Possible combinations of the various standard parts



Drawings



Overview of items

Order No.	D	D1	D2	L	L1	L2	L3
21516-10-1240	12	22	26	40	24	18	2,5

## Overview of items

Order No.	D	D1	D2	L	L1	L2	L3
21516-10-1256	12	22	26	56	24	18	2,5
21516-10-1845	18	30	35	45	34	23	2,8
21516-10-1856	18	30	35	56	34	23	2,8
21516-10-1871	18	30	35	71	34	23	2,8
21516-10-3056	30	46	52	56	54	33	4,8
21516-10-3075	30	46	52	75	54	33	4,8
21516-10-3095	30	46	52	95	54	33	4,8