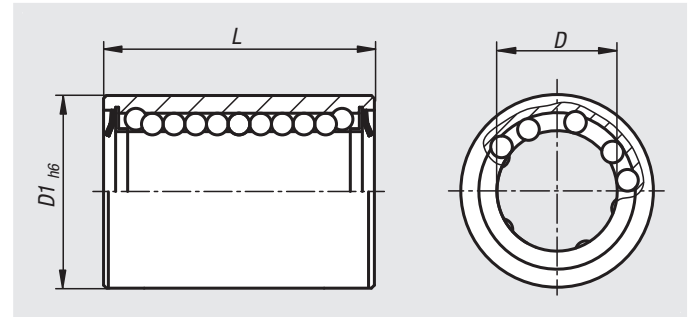


Linear ball bearing, plastic, compact,

self-aligning



Material:

Housing plastic
Raceways ball bearing steel.
Balls steel.

Sample order:

nIm 21511-01-1602

Note:

Self-aligning and sealed both ends. These bearings comprise a highly precise die-cast plastic carrier in which the bearing steel, clipped-on raceways are mounted. The plastic carrier also acts as a return and seal retainer. The seal is made from a special polyamide material with a low coefficient of friction. The linear ball bearing is secured using DIN 471/472 circlips.

Application:

Suitable for applications where installation space is limited.

| Order No. | D | D1 | L | Dynamic load rating N | Static load rating N |
|---------------|----|----|----|-----------------------|----------------------|
| 21511-01-1202 | 12 | 19 | 28 | 695 | 510 |
| 21511-01-1602 | 16 | 24 | 30 | 930 | 630 |
| 21511-01-2002 | 20 | 28 | 30 | 1160 | 800 |
| 21511-01-2502 | 25 | 35 | 40 | 2120 | 1560 |
| 21511-01-3002 | 30 | 40 | 50 | 3150 | 2700 |
| 21511-01-4002 | 40 | 52 | 60 | 5500 | 4500 |
| 21511-01-5002 | 50 | 62 | 70 | 6950 | 6300 |

20000
21000
22000
23000
24000
26000
27000
28000
29000
31000
32000
33000