

Linear ball bearings

self-aligning



Material:
 Housing plastic
 Raceways ball bearing steel.
 Balls steel.

Sample order:
 nlm 21510-1202

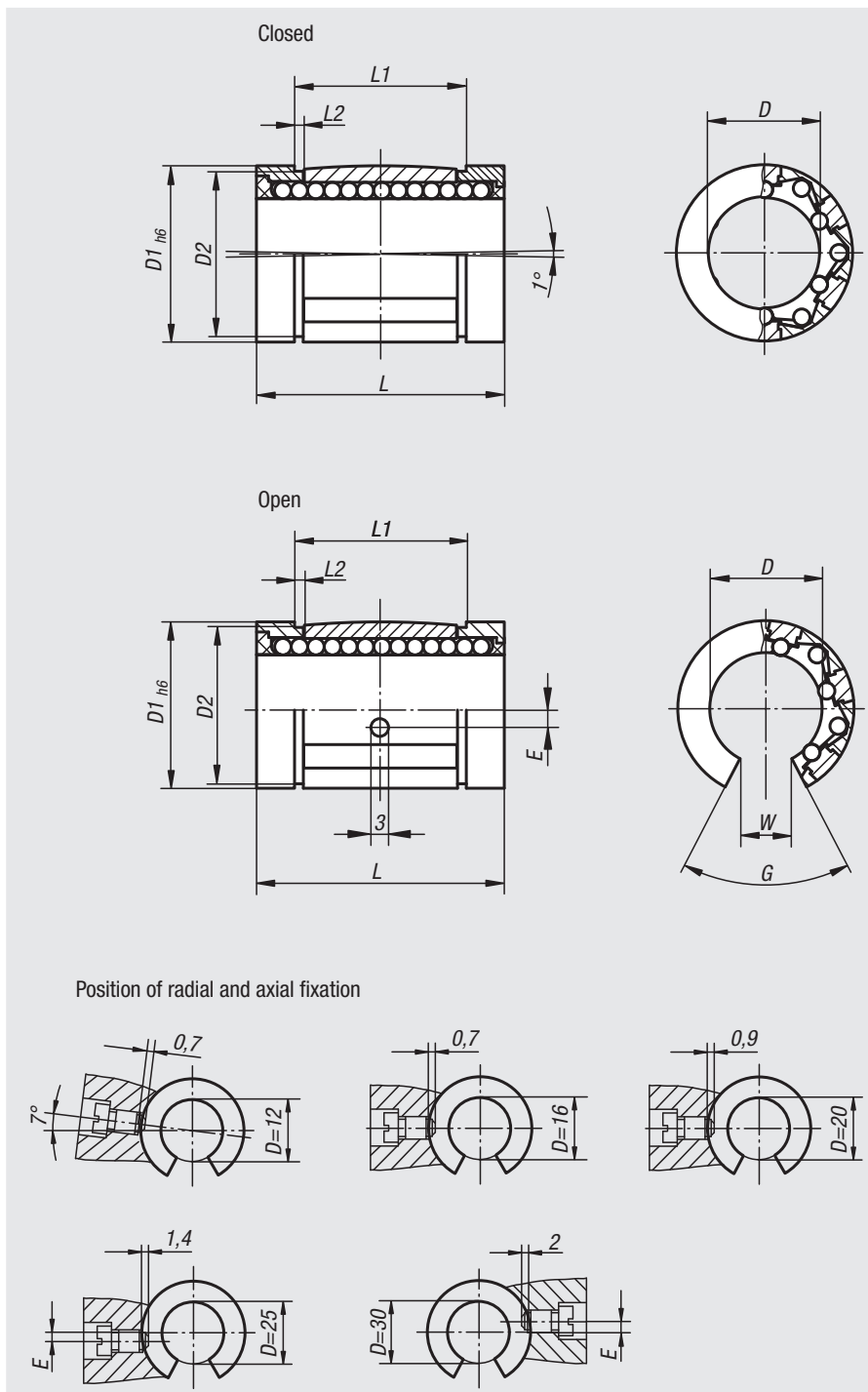
Note:
 The linear ball bearings correspond to the self-aligning series 3 of ISO 10285. With double-sided seal. These bearings consist of high precision injection moulded plastic housings in which ball bearing steel raceway segments are clipped in. The plastic housing serves simultaneously for recycling and as seal retainer. The seal consists of a special polyamide material with a low coefficient of friction. The bearing is secured with DIN 471/472 circlips.

Recommended tolerances:
 Shaft: h6
 Housing: H7

Linear ball bearings with double-sided seal should be greased before installation.

The specified load ratings apply with the use of hardened and ground shafts.

Temperature range:
 -20 °C to +80 °C.



Order No. closed	Order No. open	D	D1	D2	E	G	L	L1	L2	W	Dynamic load rating N	Static load rating N
21510-1602	21510-1612	16	26	24,9	-/0	-/68°	36	24,6	1,3	-/9,8	1020	1120
21510-2002	21510-2012	20	32	30,3	-/0	-/55°	45	31,2	1,6	-/10,5	2020	2220
21510-1202	21510-1212	12	22	21	-/1,35	-/66°	32	22,6	1,3	-/7	830	910
21510-2502	21510-2512	25	40	37,5	-/1,5	-/57°	58	43,7	1,85	-/13	3950	4350
21510-3002	21510-3012	30	47	44,5	-/2	-/57°	68	51,7	1,85	-/15,3	4800	5280
21510-4002	21510-4012	40	62	59	-/0	-/58°	80	60,3	2,15	-/21,4	8240	9060
21510-5002	21510-5012	50	75	72	-/0	-/55°	100	77,3	2,65	-/24	12060	13270

20000 21000 22000 23000 24000 26000 27000 28000 29000 31000 32000 33000