

Linear ball bearings

with steel cage



Material:

Outer jacket ball bearing steel.
Cage steel.
Balls steel.

Sample order:

nIm 21505-1202

Note:

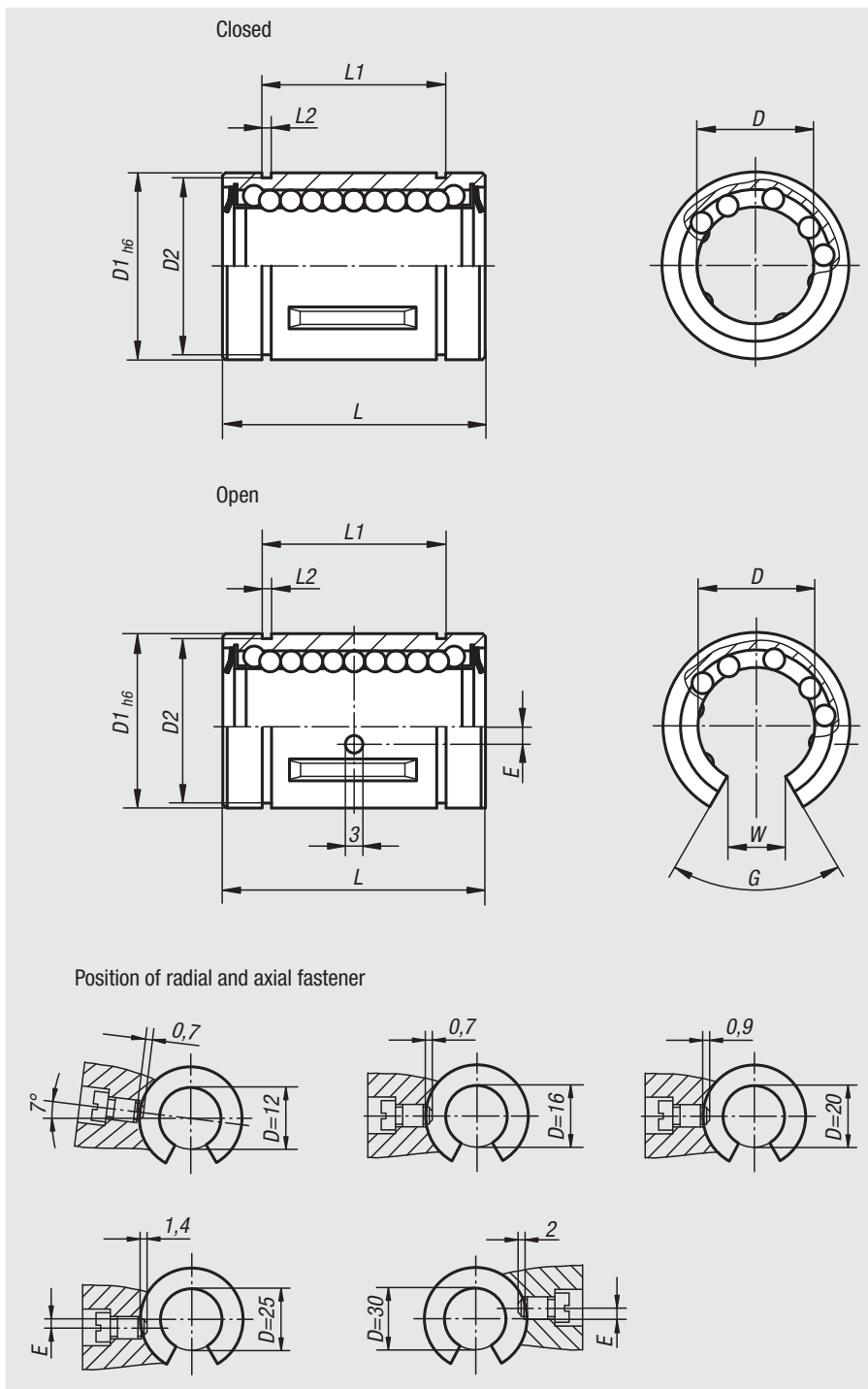
The linear ball bearings correspond to series 3 of ISO 10285. With double-sided seals and a steel cage. The bearing is secured with DIN 471/472 circlips.

Recommended tolerances:

Shaft: h6
Housing: H7

Linear ball bearings with double-sided seals should be greased before installation.

The specified load ratings apply with the use of hardened and ground shafts.



Order No. closed	Order No. open	D	D1	D2	E	G	L	L1	L2	W	Dynamic load rating N	Static load rating N
21505-1202	21505-1212	12	22	21	-/1,35	-/78°	32 -0,2	22,9 -0,2	1,3	-/7,5	420	714
21505-1602	21505-1612	16	26	24,9	-/0	-/78°	36 -0,2	24,9 -0,2	1,3	-/10	686	1092
21505-2002	21505-2012	20	32	30,3	-/0	-/60°	45 -0,2	31,5 -0,2	1,6	-/10	924	1610
21505-2502	21505-2512	25	40	37,5	-/1,5	-/60°	58 -0,3	44,1 -0,3	1,85	-/12,5	1470	2590
21505-3002	21505-3012	30	47	44,5	-/2	-/50°	68 -0,3	52,1 -0,3	1,85	-/12,5	2100	3920

20000 21000 22000 23000 24000 26000 27000 28000 29000 31000 32000 33000