

Linear ball bearings stainless steel



Material:

Outer jacket stainless steel.
Cage stainless steel.
Balls stainless steel.

Sample order:

nIm 21505-01-1202

Note:

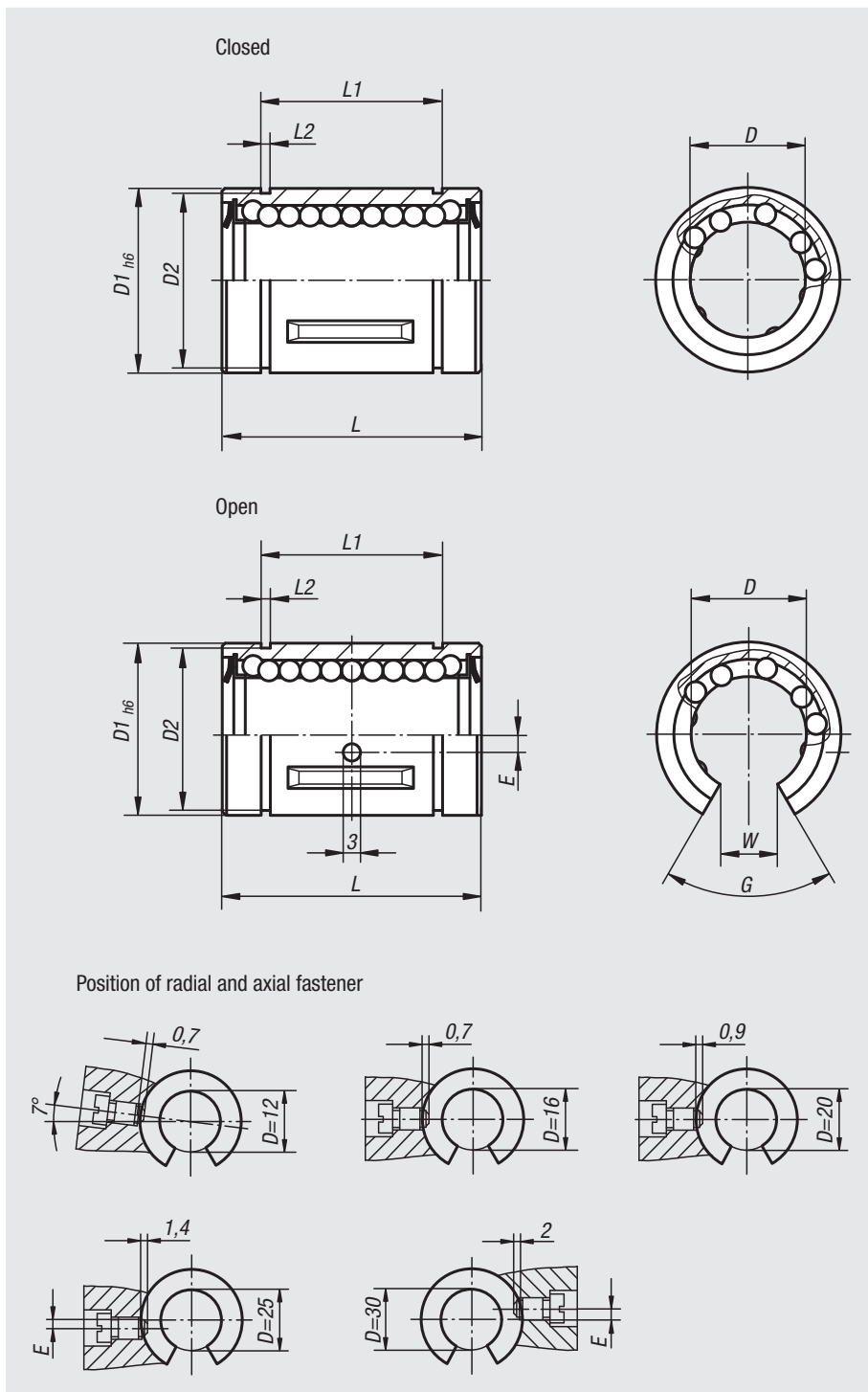
The linear ball bearings correspond to series 3 of ISO 10285. With double-sided seals and a stainless steel cage. The bearing is secured with DIN 471/472 circlips.

Recommended tolerances:

Shaft: h6
Housing: H7

Linear ball bearings with double-sided seals should be greased before installation.

The specified load ratings apply with the use of hardened and ground shafts.



Order No. closed	Order No. open	D	D1	D2	G	E	L	L1	L2	W	Dynamic load rating N	Static load rating N
21505-01-1202	21505-01-1212	12	22	21	-78°	-1,35	32 -0,2	22,9 -0,2	1,3	-7,5	420	714
21505-01-1602	21505-01-1612	16	26	24,9	-78°	-0	36 -0,2	24,9 -0,2	1,3	-10	686	1092
21505-01-2002	21505-01-2012	20	32	30,3	-60°	-0	45 -0,2	31,5 -0,2	1,6	-10	924	1610
21505-01-2502	21505-01-2512	25	40	37,5	-60°	-1,5	58 -0,3	44,1 -0,3	1,85	-12,5	1470	2590
21505-01-3002	21505-01-3012	30	47	44,5	-50°	-2	68 -0,3	52,1 -0,3	1,85	-12,5	2100	3920