

## Linear ball bearings

with plastic cage



**Material:**

Outer jacket ball bearing steel.  
Cage plastic.  
Balls steel.

**Sample order:**

nlm 21500-1202

**Note:**

The linear ball bearings correspond to series 3 of ISO 10285. With double-sided seal. The linear ball bearings have a plastic cage which results in quiet and outstanding running properties. We recommend using linear ball bearing with steel cages for application temperatures over +80 °C. The bearings are secured by DIN 471/472 circlips.

**Recommended tolerances:**

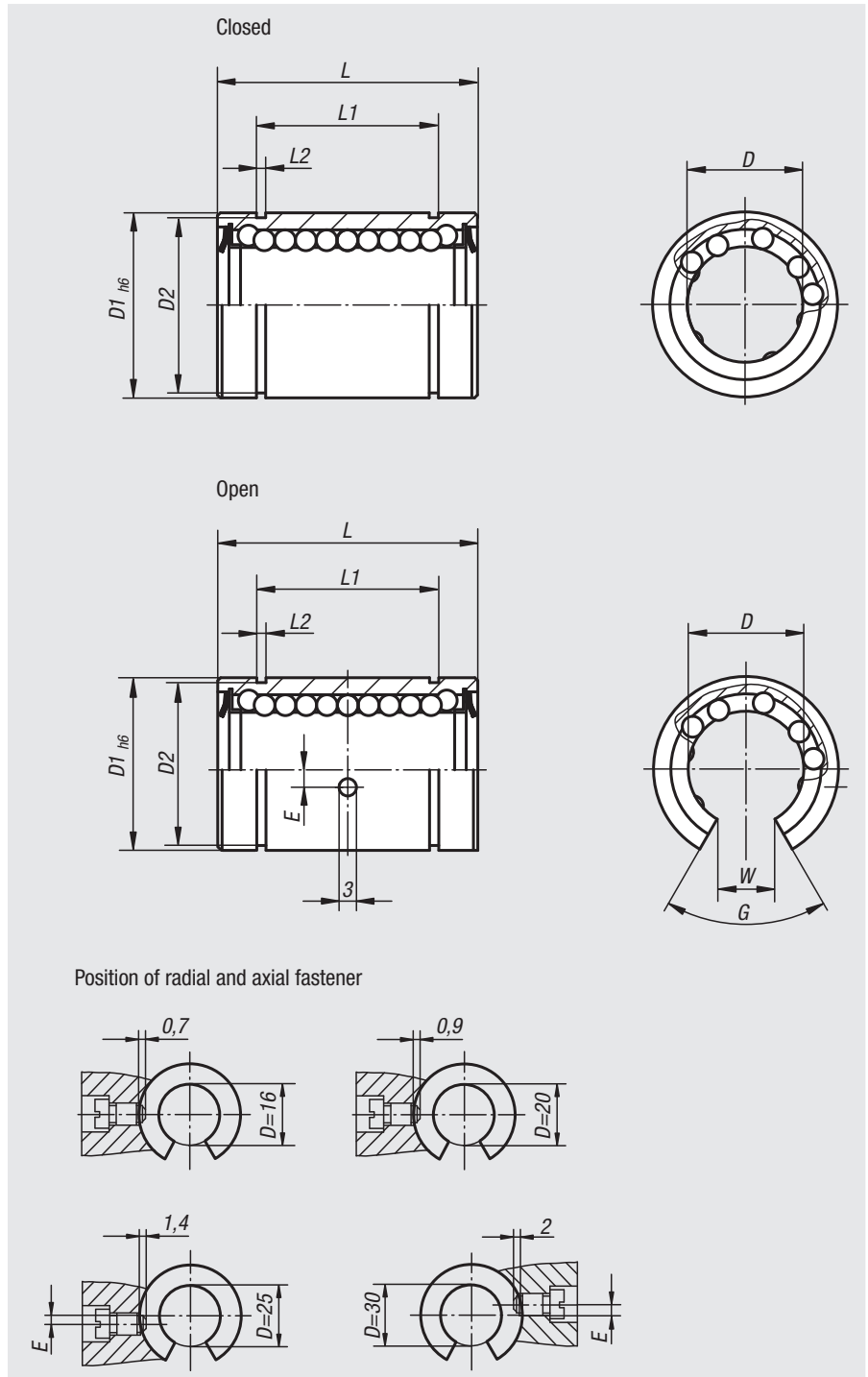
Shaft: h6  
Housing: H7

Linear ball bearings with double-sided seal should be greased before installation.

The specified load ratings apply with the use of hardened and ground shafts.

**Temperature range:**

-20 °C to +80 °C.



Order No. closed	Order No. open	D	D1	D2	E	G	L	L1	L2	W	Dynamic load rating N	Static load rating N
21500-1202	-	12	22	21	-	-	32 -0,2	22,9 -0,2	1,3	-	520	800
21500-1602	21500-1612	16	26	24,9	-/0	-/78°	36 -0,2	24,9 -0,2	1,3	-/10	590	910
21500-2002	21500-2012	20	32	30,3	-/0	-/60°	45 -0,2	31,5 -0,2	1,6	-/10	880	1400
21500-2502	21500-2512	25	40	37,5	-/1,5	-/60°	58 -0,3	44,1 -0,3	1,85	-/12,5	1000	1600
21500-3002	21500-3012	30	47	44,5	-/2	-/50°	68 -0,3	52,1 -0,3	1,85	-/12,5	1600	2800