

Clamping elements

for profile guide rails



Material:

Housing steel. Clamping lever plastic.
Threaded spindle grade 12.9.

Version:

Housing nickel-plated.
Clamping lever, spindle black oxidised.

Sample order:

nlm 21427-15

Note:

Manually operated clamping elements for static clamping tasks.
Manual clamping process using the freely adjustable clamping lever. The floating clamp ensure symmetrical application of force onto the rail. Up to 50,000 static clamping cycles (B10d value).

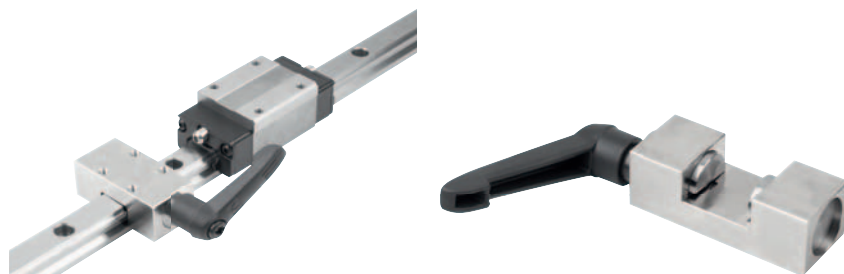
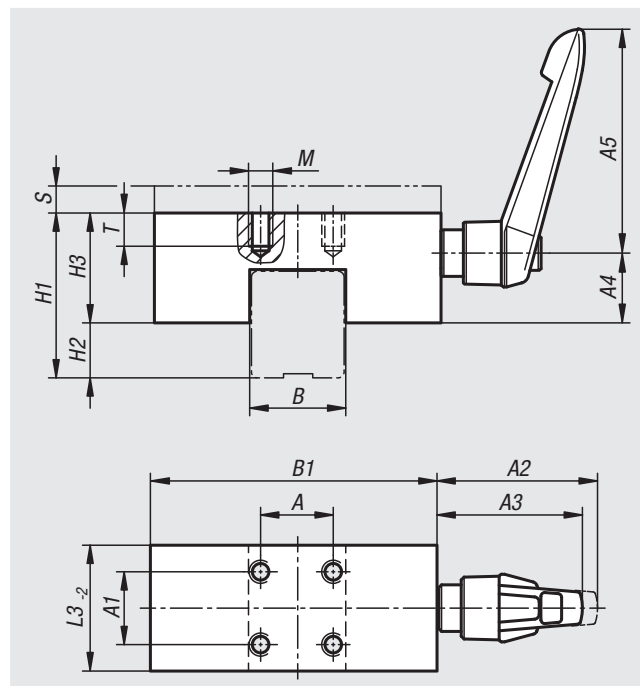
In general, a friction connection is created between the clamping element and the the linear guide on the open faces of the profile guide rail so that the ball guide tracks are not damaged.

The retaining force is tested on an oil smeared profile guide rail.

An adapter plate, dependent on the type of carriage used, is required for height adjustment.

Temperature range:

-10°C to +70°C.



Order No.	Size	A	A1	A2	A3	A4	A5	B	B1	H1	H2	H3	L3	M	S	T	Retaining force F1 N	Tightening torque Nm	Order number adapter plate
21427-15	15	17	17	33,5	30	12,5	40	15	47	24	6,5	17,5	24	M4	4	5	1200	5	21430-915
21427-20	20	15	15	45,5	41,5	13	65	20	60	28	8	20	24	M5	2	6	1200	7	21430-920
21427-25	25	20	20	45,5	41,5	16,2	65	25	70	36	12	23	30	M6	4	8	1200	7	21430-925
21427-30	30	22	22	58	53,5	21,5	80	28	90	42	12	30	39	M6	3	8	2000	15	21430-930
21427-35	35	24	24	58	53,5	27	80	34	100	48	16	37	39	M8	7	10	2000	15	21430-935
21427-45	45	26	26	58	53,5	26,5	80	45	120	60	18	44	44	M10	10	14	2000	15	21430-945
21427-55	55	30	30	66	61	37,5	95	53	140	70	21	51	49	M14	10	14	2000	22	21430-955

Adapter plates for clamping elements

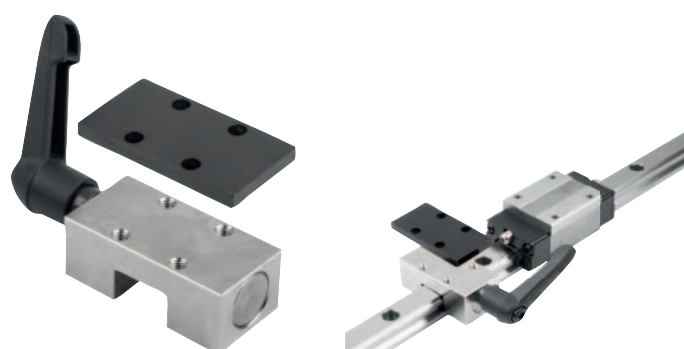
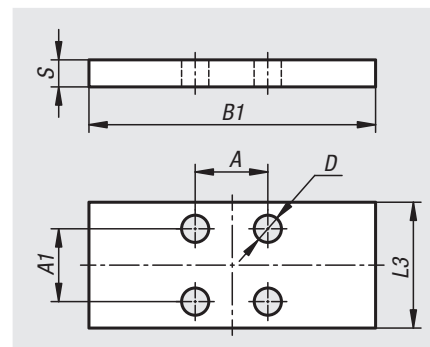


Material:
Steel.

Version:
nickel-plated.

Sample order:
nlm 21427-915

Note:
An adapter plate, dependent on the type of carriage used, is required for height adjustment.



Order No.	Size	A	A1	B1	L3	D for screw	S
21427-915	15	17	17	47	24	M4	4
21427-920	20	15	15	60	24	M5	2
21427-925	25	20	20	70	30	M6	4
21427-930	30	22	22	90	39	M6	3
21427-935	35	24	24	100	39	M8	7
21427-945	45	26	26	120	44	M10	10
21427-955	55	30	30	140	49	M14	10