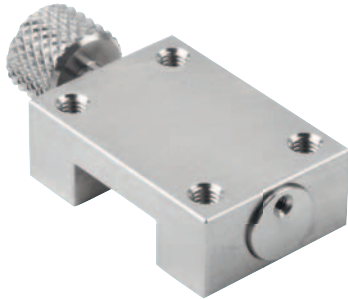


Clamping elements

for miniature profile guide rails



Material:

Housing and knurled screw stainless steel.

Version:

Housing and knurled screw bright.

Sample order:

nIm 21427-01-07

Note:

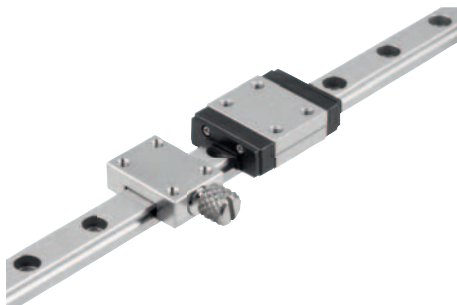
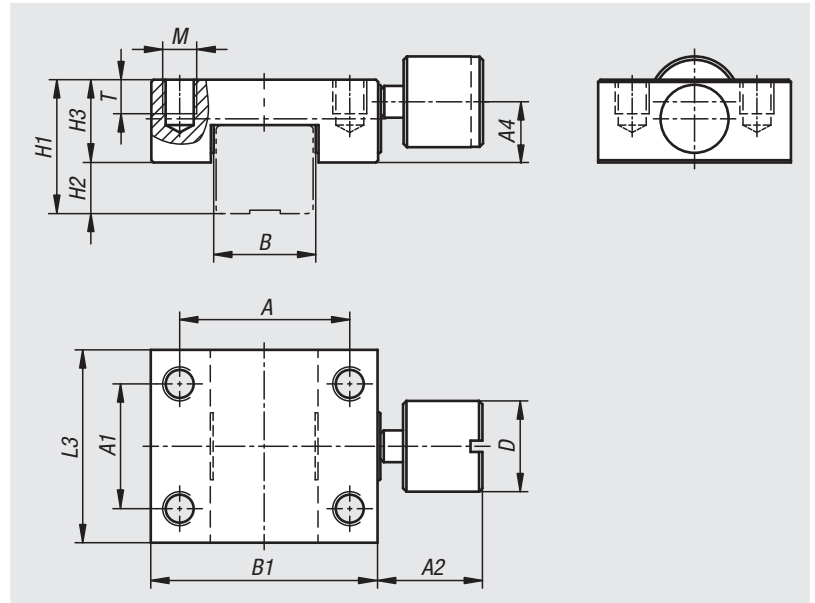
Manually operated clamping elements for static clamping tasks. Manual clamping with the knurled screw. The floating jaws ensure symmetrical application of force onto the rail. Up to 50,000 static clamping cycles (B10d value).

In general, a friction connection is created between the clamping element and the the linear guide on the open faces of the profile guide rail so that the ball guide tracks are not damaged.

The retaining force is tested on an oil smeared profile guide rail.

Temperature range:

-10°C to +70°C.



Order No.	Size	A	A1	A2	A4	B	B1	D	H1	H2	H3	L3	M	T	Retaining force F1 N	Tightening torque Nm
21427-01-07	7	12	8	7	4,3	7	17	6	8	2	6	12	M2	2,5	65	0,11
21427-01-09	9	15	11	9	5,35	9	20	8	10	2,7	7,3	17	M3	3	100	0,17
21427-01-12	12	20	13	10	7,15	12	27	10	13	3,5	9,5	19	M3	3,6	150	0,35
21427-01-15	15	25	14	14	8,05	15	32	12	16	5	11	20	M3	4	180	0,75