

Miniature profile guide rails

stainless steel



Material:

Stainless steel 1.4034.

Version:

Bright.

Hardened 52 HRC.

Sample order:

nIm 21425-0705X0240

Note:

Profile guide rails can be screwed on from above.

The profile rails, on which one or more carriages can be mounted, are available in four miniature sizes.

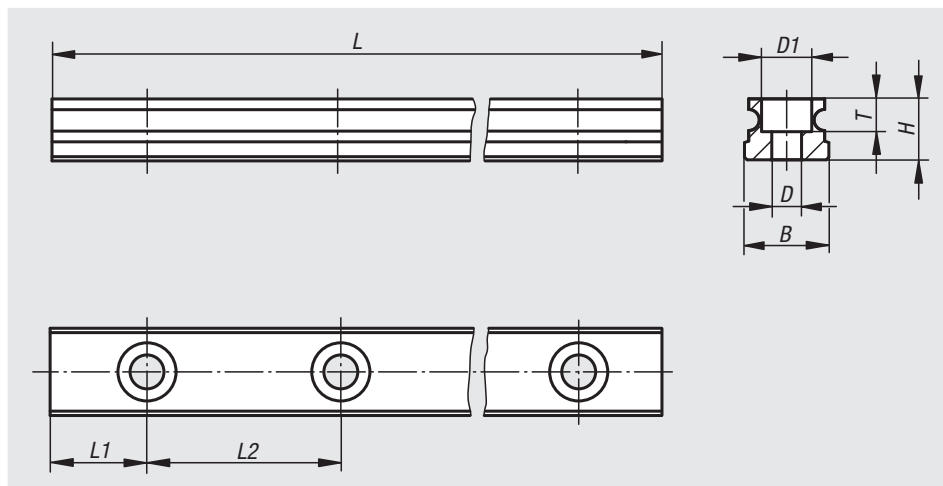
4-point ball bearing system with identical load angles and 2 ball bearings per carriage. Thus loads can be uniformly absorbed from all sides.

Max. acceleration: 80 m/s².

Maximum traversing speed 3 m/s.

Application temperature -20 °C to +80 °C.

Combination of the rails is possible.



Order No.	Size	D	D1	H	L max.	L1	L2	B	T
21425-0705X0240	7	2,4	4,2	4,7	240	7,5	15	7	2,3
21425-0907X0495	9	3,5	6	5,5	495	7,5	20	9	3,3
21425-1210X0570	12	3,5	6	7,5	570	10	25	12	4,5
21425-1515X0790	15	3,5	6	9,5	790	15	40	15	4,5