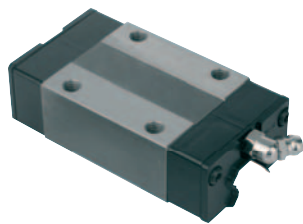


## Carriages

compact



**Material:**

Body carbon steel.  
Balls roller bearing steel.  
Diverters plastic.

**Version:**

Bright.

**Sample order:**

nlm 21404-15106601

**Note:**

Compact guide carriage with recirculating ball guidance precision N not preloaded (ZO). With double-sided end seal. 4-row versions with round arch profile. The profile guide rail tracks are arranged at 45° and can accept loads from all directions.

High dynamic values:  $v = 5$  m/s.

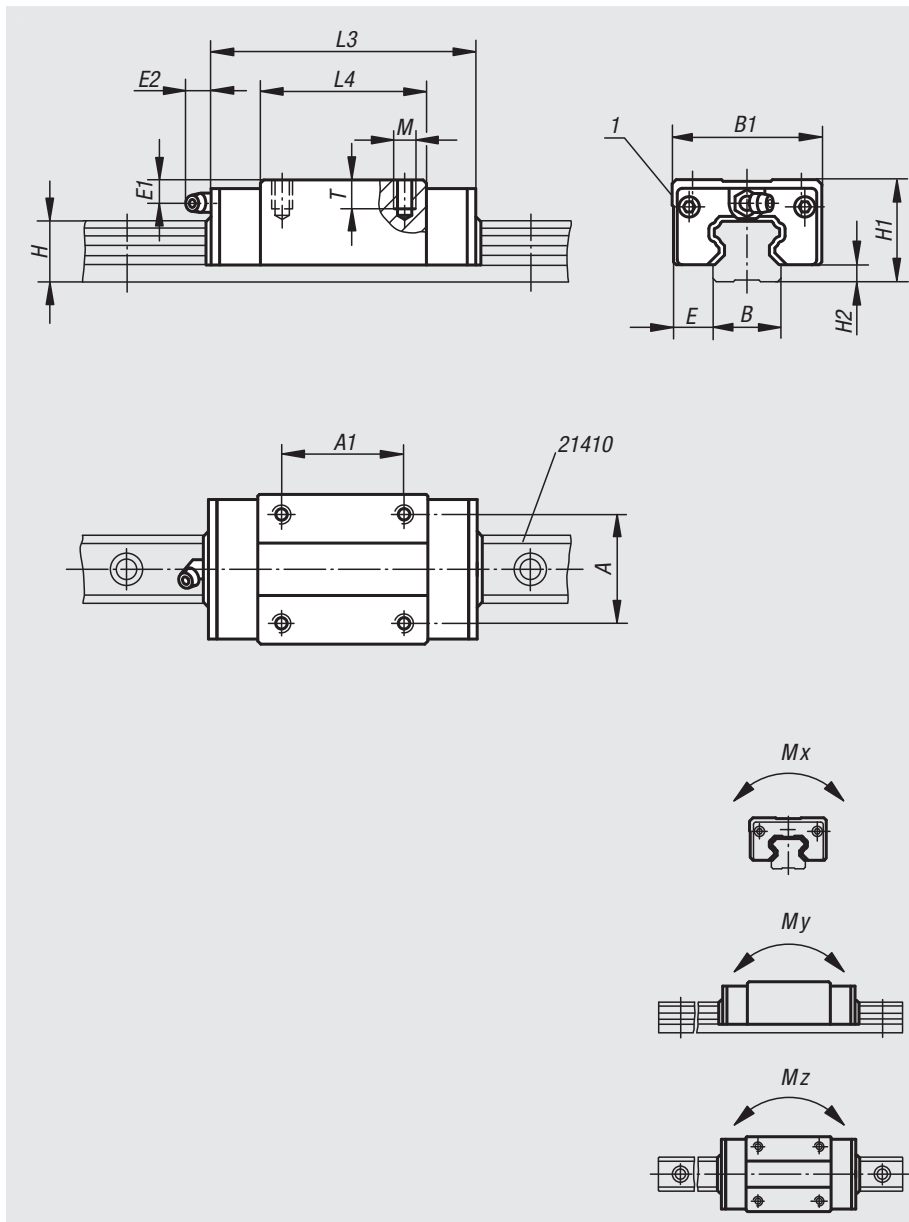
Applicable temperature in continuous use max. 80 °C.

**On request:**

Various precision and preload classes.

**Drawing reference:**

1) ground ref. edge



Order No.	Size	Mx Nm	My Nm	Mz Nm	Dynamic load rating N	Static load rating N	Lubrication hole
21404-15106601	15	70	50	50	6850	12700	∅3
21404-20107801	20	220	180	180	14500	25600	M6x1
21404-25108801	25	360	320	310	21400	40000	M6x1
21404-30110901	30	600	500	490	29800	54900	M6x1

Order No.	Size	A	A1	B	B1	E	E1	E2	H	H1	H2	L3	L4	M	T
21404-15106601	15	26	26	15	34	9,5	4,3	5	14	24	4,6	66	40	M4	5,6
21404-20107801	20	32	32	20	42	11	5	13,5	18	28	5	77,8	48,8	M5	7
21404-25108801	25	35	35	23	48	12,5	4,8	13,5	22	33	7	88	57	M6	8,4
21404-30110901	30	40	40	28	60	16	7	13	26	42	9	109	72	M8	11,2

20000 21000 22000 23000 24000 26000 27000 28000 29000 31000 32000 33000