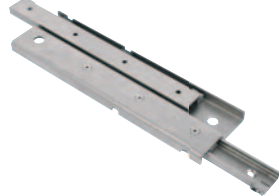


# Telescopic slides

## S-form



### Material:

Balls, rails and runners roller bearing steel.

### Version:

Rail and runner electro zinc-plated.  
Tracks inductive hardened.  
Balls hardened.

### Sample order:

nlm 21342-280290

### Note:

Full extension consisting of two guide rails as fixed and moving elements and an S-shaped intermediate element. The latter has a high area moment of inertia and high rigidity with a slim construction. This results in a high load rating with a low amount of bending in the extended state. The maximum travel is greater than the closed length of the telescopic slide.

Use grade 10.9 DIN EN ISO 10642 countersunk head screws to install the slide.

The maximum traversing speed is 0.8 m/s.

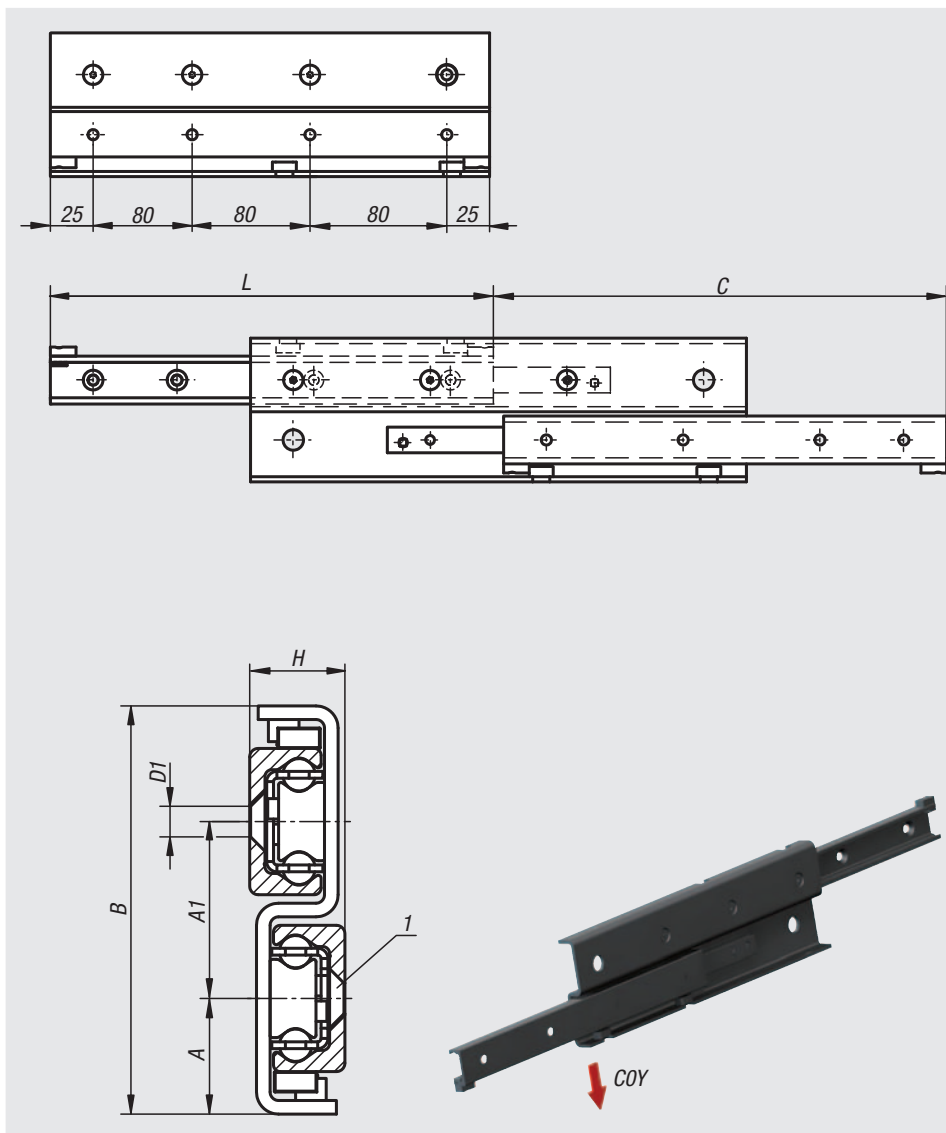
Application temperature -30 °C to +110 °C.

### On request:

Other lengths (steps 80 mm).  
Size 28 up to max. 1490 mm.  
Size 35 up to max. 1730 mm.  
Size 43 up to max. 1970 mm.

### Drawing reference:

1) for countersunk screw DIN 7991



Order No.	Size	A	A1	B	C (travel)	D1	H	L	COY N	No. of holes
21342-280290	28	24,5	36	85	296	M5	17	290	570	4 (3 accessible)
21342-280370	28	24,5	36	85	380	M5	17	370	769	5 (4 accessible)
21342-280450	28	24,5	36	85	464	M5	17	450	969	6 (4 accessible)
21342-280530	28	24,5	36	85	548	M5	17	530	1170	7 (6 accessible)
21342-280610	28	24,5	36	85	630	M5	17	610	1376	8 (6 accessible)
21342-350450	35	30,5	43	104	494	M6	22,5	450	1250	6 (5 accessible)
21342-350530	35	30,5	43	104	558	M6	22,5	530	1685	7 (6 accessible)
21342-350690	35	30,5	43	104	734	M6	22,5	690	2132	9 (7 accessible)
21342-350850	35	30,5	43	104	886	M6	22,5	850	2801	11 (9 accessible)
21342-430530	43	34	52	120	556	M8	28	530	2061	7 (6 accessible)
21342-430610	43	34	52	120	626	M8	28	610	2603	8 (6 accessible)
21342-430690	43	34	52	120	726	M8	28	690	2775	9 (7 accessible)
21342-430770	43	34	52	120	796	M8	28	770	3319	10 (7 accessible)
21342-430850	43	34	52	120	866	M8	28	850	3873	11 (9 accessible)
21342-431010	43	34	52	120	1036	M8	34	1010	4590	13 (10 accessible)
21342-431490	43	34	52	120	1516	M8	34	1490	3713	19 (15 accessible)