

Telescopic slides



Material:

Balls, rails and runners roller bearing steel.

Version:

Rail and slide electro zinc-plated.
Tracks inductively hardened.
Balls hardened.

Sample order:

nIm 21340-280290

Note:

Partial extension consisting of a fixed guide rail and a movable runner. The slide can move somewhat more than half the length of the rail (C travel). By removing the locking screw, a partial extension with the travel length C is possible to both sides. The total travel is thus 2C.

This compact and simple construction allows very high load ratings.

The maximum traversing speed is 0.8 m/s.

Application temperature -30 °C to +170 °C.

On request:

Other lengths (pitch 80 mm).

Size 28 up to max. 1170 mm.

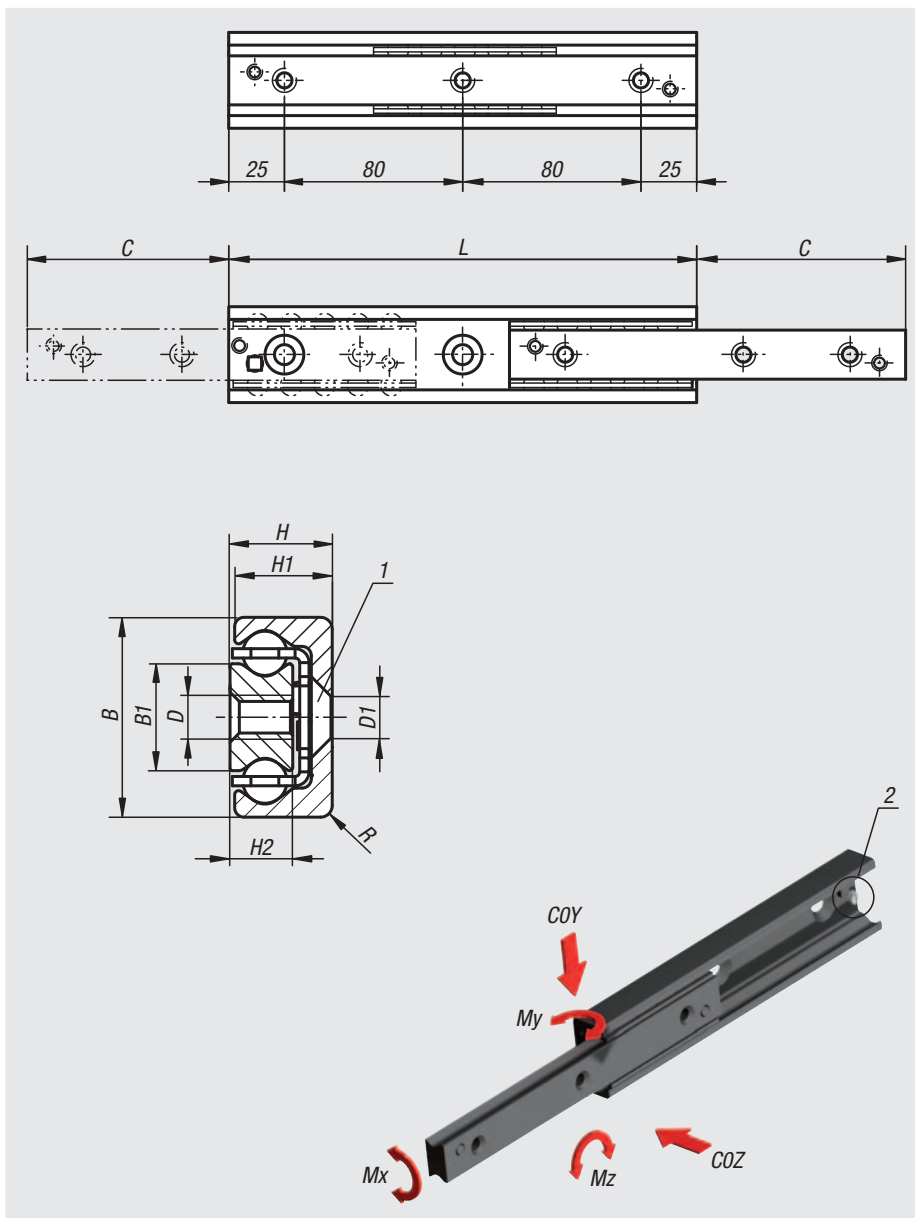
Size 35 up to max. 1490 mm.

Size 43 up to max. 1970 mm.

Drawing reference:

1) for countersunk screw DIN 7991

2) set screw



Order No.	Size	B	B1	C (travel)	D	D1	H	H1	H2	L	R	COY N	COZ N	Mx Nm	My Nm	Mz Nm	No. of holes
21340-280290	28	28	15	148	M5	M5	13	12,25	7,5	290	1	1934	1345	39,6	132	188	4
21340-280370	28	28	15	190	M5	M5	13	12,25	7,5	370	1	2445	1711	50,4	213	305	5
21340-280450	28	28	15	232	M5	M5	13	12,25	7,5	450	1	2955	2069	61,2	314	449	6
21340-280530	28	28	15	274	M5	M5	13	12,25	7,5	530	1	3466	2426	72	435	621	7
21340-280610	28	28	15	315	M5	M5	13	12,25	7,5	610	1	3986	2790	82,8	575	821	8
21340-350290	35	35	15,8	159	M6	M6	17	16	10	290	2	2060	1442	46,9	146	208	4
21340-350370	35	35	15,8	203	M6	M6	17	16	10	370	2	2638	1847	59,9	238	340	5
21340-350450	35	35	15,8	247	M6	M6	17	16	10	450	2	3217	2252	73	345	505	6
21340-350530	35	35	15,8	279	M6	M6	17	16	10	530	2	4282	2997	90,4	543	775	7
21340-350610	35	35	15,8	323	M6	M6	17	16	10	610	2	4858	3401	103,5	711	1015	8
21340-430290	43	43	23	158	M8	M8	22	21	13,5	290	2,5	2872	2010	93,8	201	288	4
21340-430370	43	43	23	208	M8	M8	22	21	13,5	370	2,5	3377	2364	115,9	308	440	5
21340-430450	43	43	23	243	M8	M8	22	21	13,5	450	2,5	4690	3283	149,2	509	728	6
21340-430530	43	43	23	278	M8	M8	22	21	13,5	530	2,5	6039	4227	182,4	762	1088	7
21340-430610	43	43	23	313	M8	M8	22	21	13,5	610	2,5	7411	5188	215,6	1064	1521	8