

Telescopic slides

double arrangement



Material:

Rail and race ball-bearing steel.
Balls, ball-bearing steel.
Ball cage steel.

Version:

Rail, runner and ball cage electro zinc-plated.
Race inductively hardened.
Balls hardened.

Sample order:

nIm 21338-280210

Note:

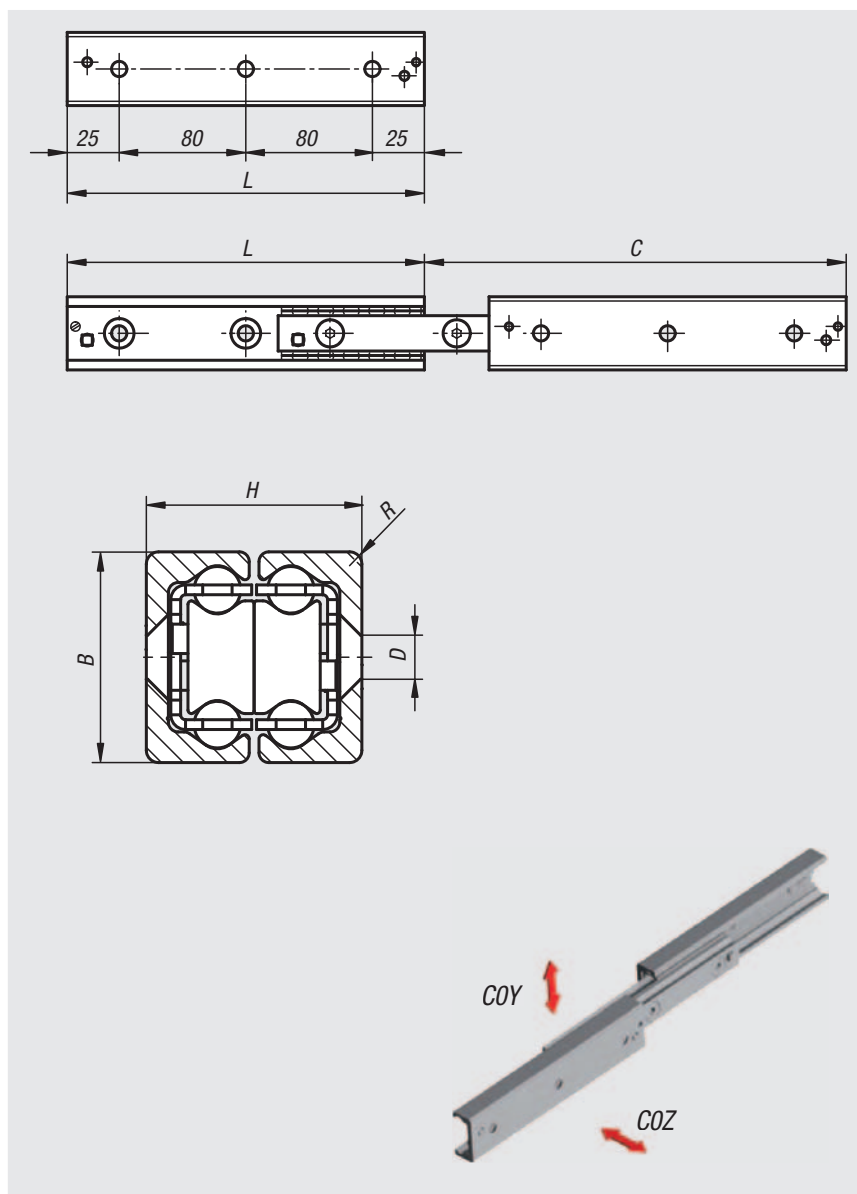
Full extension consisting of two guide rails which serve as fixed and moving elements and two runners which form the intermediate element when connected to each other. This arrangement offers good protection for the open ball cages from dirt. The maximum travel is greater than the closed length of the telescopic slide. Mounting should be carried out horizontally if possible. To allow access to all fastening holes, the locking screw in the rail must be removed before mounting and replaced afterwards. Travel in both directions is achieved by removing the locking screws.

The internal stops limit the cage. Provide external stops for a loaded system.

Use grade 10.9 DIN EN ISO 10642 countersunk head screws to install the slide.

The maximum traversing speed is 0.8 m/s.

Application temperature -30 °C to +170 °C.



Telescopic slides

double arrangement

| Order No. | Size | B | C (travel) | D for screw | H | L | R | COY N | COZ N | No. of holes |
|--------------|------|----|---------------|----------------|----|-----|-----|----------|----------|-----------------|
| 21338-280210 | 28 | 28 | 232 | M5 | 26 | 210 | 1 | 432 | 302 | 3 |
| 21338-280370 | 28 | 28 | 380 | M5 | 26 | 370 | 1 | 482 | 482 | 5 |
| 21338-280450 | 28 | 28 | 434 | M5 | 26 | 450 | 1 | 393 | 393 | 6 |
| 21338-280530 | 28 | 28 | 548 | M5 | 26 | 530 | 1 | 332 | 332 | 7 |
| 21338-350370 | 35 | 35 | 406 | M6 | 34 | 370 | 2 | 522 | 522 | 5 |
| 21338-350450 | 35 | 35 | 494 | M6 | 34 | 450 | 2 | 429 | 429 | 6 |
| 21338-350530 | 35 | 35 | 558 | M6 | 34 | 530 | 2 | 394 | 394 | 7 |
| 21338-350610 | 35 | 35 | 646 | M6 | 34 | 610 | 2 | 338 | 338 | 8 |
| 21338-430450 | 43 | 43 | 486 | M8 | 44 | 450 | 2,5 | 1331 | 1279 | 6 |
| 21338-430530 | 43 | 43 | 556 | M8 | 44 | 530 | 2,5 | 1193 | 1193 | 7 |
| 21338-430610 | 43 | 43 | 626 | M8 | 44 | 610 | 2,5 | 1082 | 1082 | 8 |
| 21338-430770 | 43 | 43 | 796 | M8 | 44 | 770 | 2,5 | 845 | 845 | 10 |
| 21338-430930 | 43 | 43 | 966 | M8 | 44 | 930 | 2,5 | 693 | 693 | 12 |