

Telescopic slides

Double-T form



Material:

Rail and race ball-bearing steel.
Balls, ball-bearing steel.
Ball cage steel.

Version:

Rail, runner and ball cage electro zinc-plated.
Race inductively hardened.
Balls hardened.

Sample order:

nIm 21336-1280210

Note:

Full extension consisting of two guide rails which form the intermediate element when connected to each other to form a double T profile, plus two runners which form the link to the connection construction as fixed and moving elements. High load rating and low bending thanks to compact, square design with high base load. The maximum travel is greater than the closed length of the telescopic slide. Mounting should be carried out horizontally if possible. To allow access to all fastening holes, the locking screw in the rail must be removed before mounting and replaced afterwards. Travel in both directions is achieved by removing the locking screws.

The internal stops limit the cage. Provide external stops for a loaded system.

Form A:

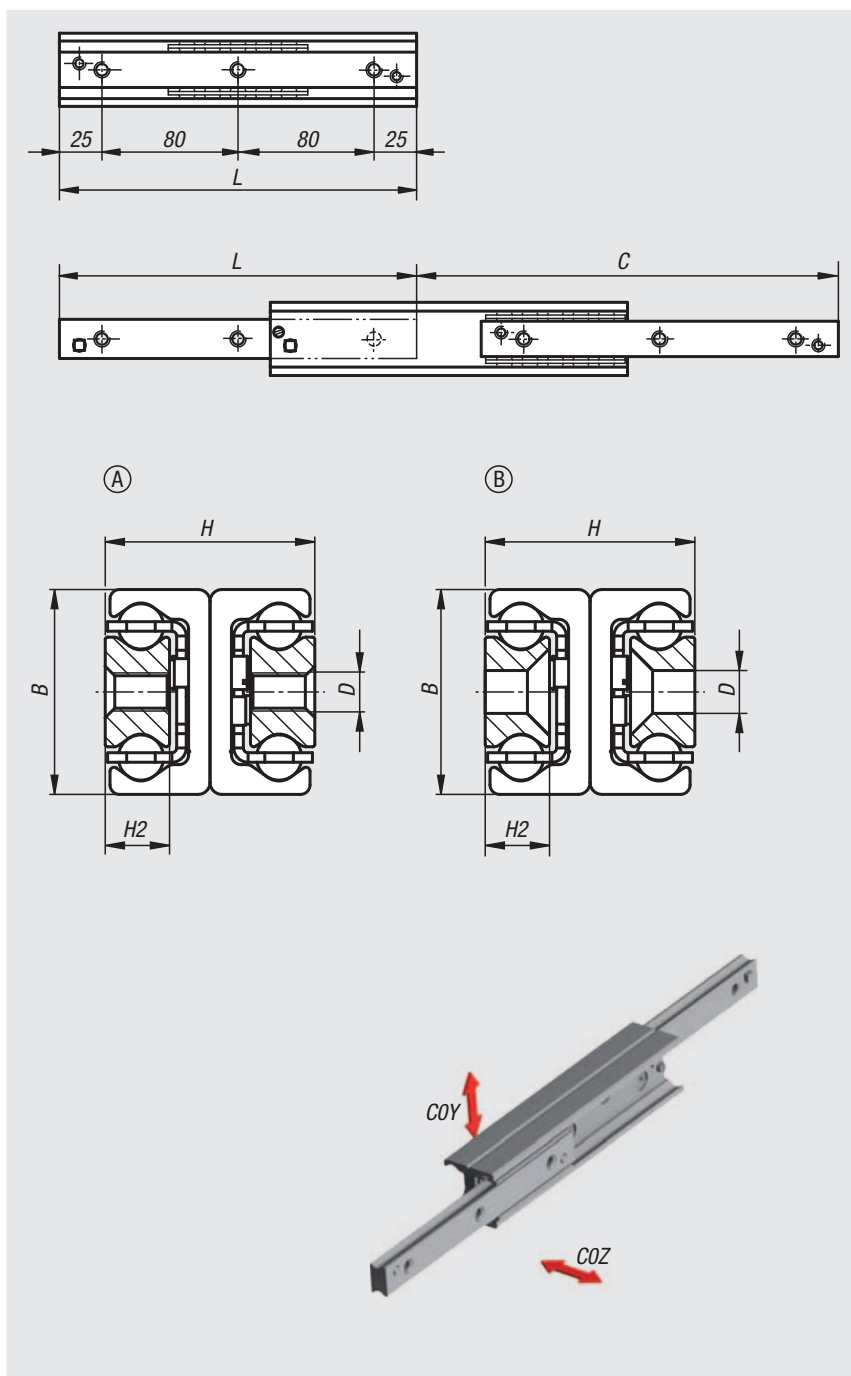
Use grade 10.9 DIN EN ISO 10642 countersunk head screws to install the slide.

Form B:

Use grade 10.9 screws to install the slide.

The maximum traversing speed is 0.8 m/s.

Application temperature -30 °C to +170 °C.



Telescopic slides

Double-T form

Order No.	Form	Version	Size	B	C (travel)	D	D for screw	H	H2	L	COY N	COZ N	No. of holes
21336-1280210	A	tapped hole	28	28	232	M5	-	26	7,5	210	432	302	3
21336-1280370	A	tapped hole	28	28	380	M5	-	26	7,5	370	968	471	5
21336-1280450	A	tapped hole	28	28	464	M5	-	26	7,5	450	1169	385	6
21336-1280530	A	tapped hole	28	28	548	M5	-	26	7,5	530	1107	325	7
21336-1350370	A	tapped hole	35	35	406	M6	-	34	10	370	1025	718	5
21336-1350450	A	tapped hole	35	35	494	M6	-	34	10	450	1250	793	6
21336-1350530	A	tapped hole	35	35	558	M6	-	34	10	530	1685	728	7
21336-1350610	A	tapped hole	35	35	646	M6	-	34	10	610	1908	626	8
21336-1430450	A	tapped hole	43	43	486	M8	-	44	13,5	450	1828	1279	6
21336-1430530	A	tapped hole	43	43	556	M8	-	44	13,5	530	2375	1434	7
21336-1430610	A	tapped hole	43	43	626	M8	-	44	13,5	610	2934	1300	8
21336-1430770	A	tapped hole	43	43	796	M8	-	44	13,5	770	3055	1016	10
21336-1430930	A	tapped hole	43	43	966	M8	-	44	13,5	930	2506	833	12
21336-2280210	B	countersink	28	28	232	-	M5	26	7,5	210	432	302	3
21336-2280370	B	countersink	28	28	380	-	M5	26	7,5	370	968	471	5
21336-2280450	B	countersink	28	28	464	-	M5	26	7,5	450	1169	385	6
21336-2280530	B	countersink	28	28	548	-	M5	26	7,5	530	1107	325	7
21336-2350370	B	countersink	35	35	406	-	M6	34	10	370	1025	718	5
21336-2350450	B	countersink	35	35	494	-	M6	34	10	450	1250	793	6
21336-2350530	B	countersink	35	35	558	-	M6	34	10	530	1685	728	7
21336-2350610	B	countersink	35	35	646	-	M6	34	10	610	1908	626	8
21336-2430450	B	countersink	43	43	486	-	M8	44	13,5	450	1828	1279	6
21336-2430530	B	countersink	43	43	556	-	M8	44	13,5	530	2375	1434	7
21336-2430610	B	countersink	43	43	626	-	M8	44	13,5	610	2934	1300	8
21336-2430770	B	countersink	43	43	796	-	M8	44	13,5	770	3055	1016	10
21336-2430930	B	countersink	43	43	966	-	M8	44	13,5	930	2506	833	12