

Roller carriages

steel



Material:

Race body steel.
Wiper modified polyamide.
Rollers steel 1.3505.

Version:

Race body electro zinc-plated.

Sample order:

nIm 21322-1128080

Note:

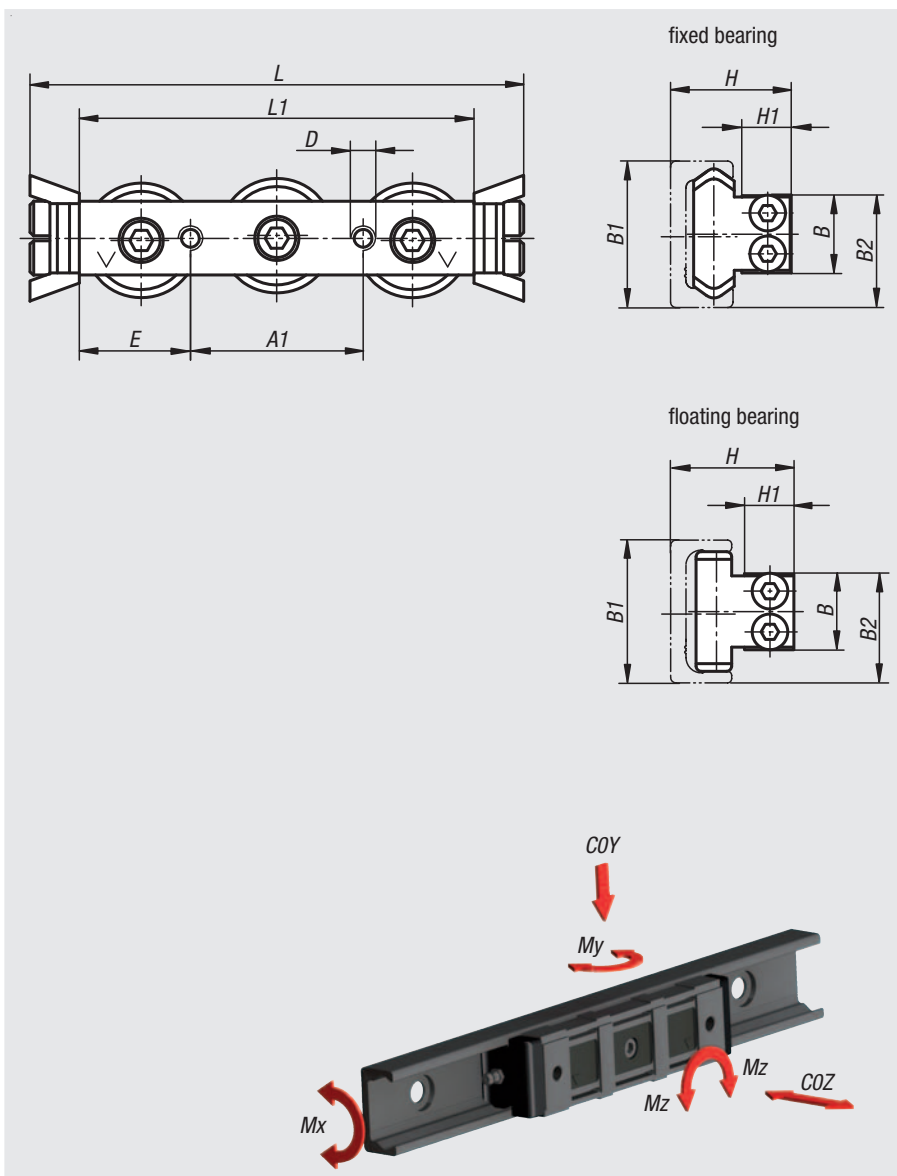
Roller carriages with lifetime lubricated ball bearings and polyamide wipers that protect the tracks from dirt. A simple adjustment of the middle roller makes the roller carriage play-free or sets the desired preload in the rail.

High traverse speeds of up to 7 m/s and extremely quiet (faster and quieter than systems with recycling ball bearings).

Application temperature -30°C to +120°C.

On request:

Roller carriages with 4 or 5 rollers.



Fixed bearing

Order No.	Size	A1	B	B1	B2	D	E	H	H1	L	L1	C dynamic N	COY N	COZ N	Mx Nm	My Nm	Mz Nm
21322-1118060	18	20	9,5	18	14	M5	20	15	5,7	76	60	1530	820	260	1,5	4,7	8,2
21322-1128080	28	35	14,9	28	21,7	M5	22,5	23,9	9,7	100	80	4260	2170	640	6,2	16	27,2
21322-1135100	35	45	19,9	35	27,85	M6	27,5	30,2	11,9	120	100	8040	3510	1060	12,9	33,7	61,5
21322-1143120	43	55	24,9	43	34,3	M8	32,5	37	14,5	140	120	12280	5500	1570	23,6	60	104,5

Floating bearing

Order No.	Size	A1	B	B1	B2	D	E	H min.	H max.	H1	L	L1	C dynamic N	COY N	Mz Nm
21322-1218060	18	20	9,5	18	14	M5	20	14,7	16,1	5,7	76	60	1530	820	8,2
21322-1228080	28	35	14,9	28	21,7	M5	22,5	23,3	25,2	9,7	100	80	4260	2170	27,2
21322-1235100	35	45	19,9	35	27,85	M6	27,5	28,9	32,9	11,9	120	100	8040	3510	61,5
21322-1243120	43	55	24,9	43	34,3	M8	32,5	35,6	39,5	14,5	140	120	12280	5500	104,5

20000
21000
22000
23000
24000
26000
27000
28000
29000
31000
32000
33000

Roller guide carriage steel


Material:

Race body steel.
Wipers plastic/felt.
Longitudinal sealing lips rubber.
Rollers steel 1.3505.

Version:

Race body electro zinc-plated.

Sample order:

nIm 21322-18070

Note:

Roller carriage with lifetime-lubrication roller bearings and wipers which lubricate the system when moving.

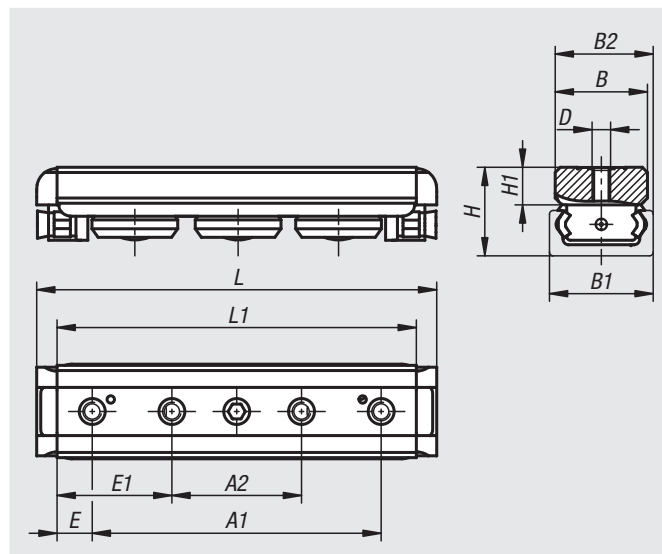
By simply moving the centre cam roller, the roller carriage can be adjusted so that it is free of play or has the desired pre-tension in the rail.

High travel speeds up to 7 m/s and extremely quiet (faster and quieter than systems that use recirculating balls).

The wipers are fitted with an oil-soaked felt. This felt is in constant contact with the track to ensure perfect lubrication. The felts can be recharged using an oil pump through the lubrication points on the front.

On request:

Roller carriages with 4 or 5 rollers.



Order No.	Size	A1	A2	B	B1	B2	D	E	E1	H	H1	L	L1	C dynamic N	COY N	COZ N	Mx Nm	My Nm	Mz Nm
21322-18070	18	52	20	16	18	17	M5	9	25	16,5	7,2	78	70	1530	820	260	1,5	4,7	8,2
21322-28097	28	78	35	24,9	28	26,45	M5	9,5	31	24	9,7	108	97	4260	2170	640	6,2	16	27,2
21322-43139	43	114	55	39,5	43	41,25	M8	12,5	42	37	14,5	150	139	12280	5500	1570	23,6	60	104,5

Roller guide rails



Material:
Ball bearing steel

Version:
Electro zinc-plated.
Tracks inductively hardened and ground.

Sample order:
nlm 21322-128X0400 (include length L)

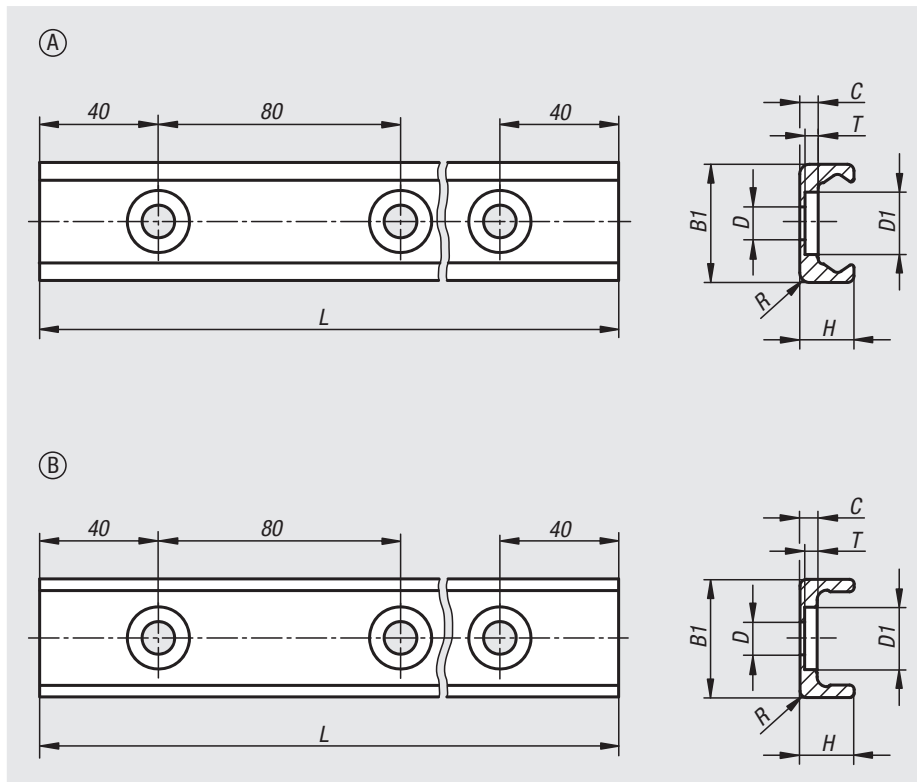
Note for ordering:
Fastening screws are supplied.

Note:
Compact C-profile guide rails with internal hardened tracks. The system runs with low noise even under heavy loads.

There is play between the screw and the fastening hole to allow the rail to be aligned during installation.

To achieve the desired running properties there must always be a film of lubricant between track and roller, this also provides corrosion protection for the ground tracks.

On request:
Lengths up to max. 4080 mm.



Roller guide rails Form A for fixed bearings

Order No.	Form	Size	B1	C	D for screw	D1	H	L	R	T
21322-118X	A	18	18	2,8	M4	9,5	8,25	240/400/560/800/1040/1200	1,5	2
21322-128X	A	28	28	3	M5	11	12,25	400/560/800/1040/1200/1440	1	2
21322-135X	A	35	35	3,5	M6	14,5	16	400/560/800/1040/1200/1440	2	2,7
21322-143X	A	43	43	4,5	M8	18	21	400/560/800/1040/1200/1520/2000	2,5	3,1

Roller guide rails Form B for floating bearings

Order No.	Form	Size	B1	C	D for screw	D1	H	L	R	T
21322-218X	B	18	18	2,6	M4	9,5	8,25	240/400/560/800/1040/1200	1	1,9
21322-228X	B	28	28	3	M5	11	12	400/560/800/1040/1200/1440	1	2
21322-235X	B	35	35	3,5	M6	14,5	16	400/560/800/1040/1200/1440	1	2,7
21322-243X	B	43	43	4,5	M8	18	21	400/560/800/1040/1200/1520/2000	1	3,1