

Roller carriages

compact and heavy-duty version



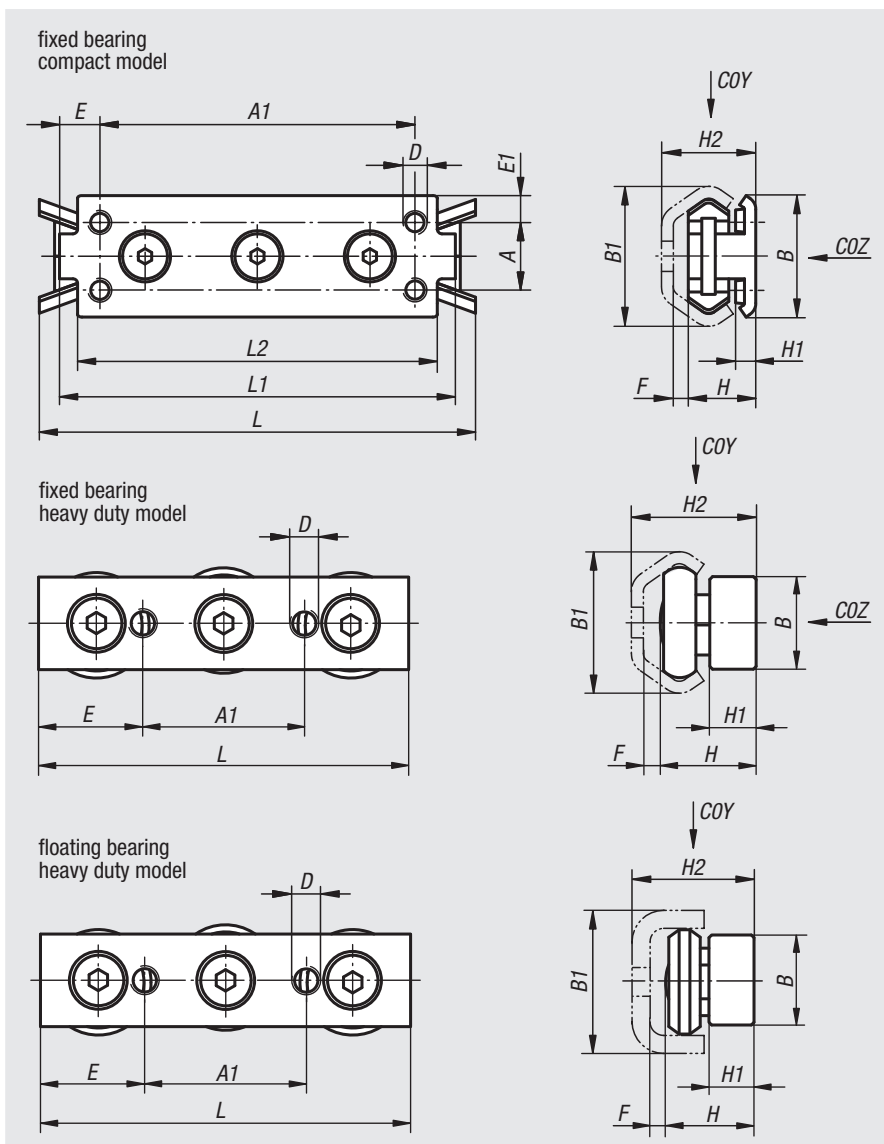
Material:
Steel.

Version:
Electro zinc-plated.

Sample order:
nlm 21320-120080

Note:
Roller carriage with low coefficient of friction, therefore very free-running. The roller journals are lifetime-lubricated and have a 2Z (dust cover) seal. By simply moving the centre cam roller, the roller carriage can be adjusted to be play-free or under the desired initial tension in the rail. The compact version has a plastic stripper for cleaning the tracks.

Application temperature -30 °C to +120 °C.



Fixed bearing, compact version

Order No.	Size	A	A1	B	B1	D	E	E1	F	H	H1	H2	L	L1	L2	COY N	COZ N
21320-120080	20	-	60	18	19,2	M5	10	9	3	11,5	5,5	16	90	80	71	300	170
21320-130088	30	15	70	27	29,5	M5	5	6	4	14,1	4,5	20,5	97	88	80	800	400
21320-145150	45	23	120	40	46,4	M6	7,5	8,5	5	22	4	31	160	150	135	1600	860

Fixed bearing, heavy-duty version

Order No.	Size	A1	B	B1	D	E	F	H	H1	H2	L	COY N	COZ N
21320-220060	20	20	10	19,2	M5	20	2,6	13	6	17,8	60	326	185
21320-230080	30	35	20	29,5	M6	22,5	3,3	20,7	10	26,5	80	870	435
21320-245120	45	55	25	46,4	M8	32,5	5,1	28,9	12	38	120	1740	935

Floating bearing, heavy-duty version

Order No.	Size	A1	B	B1	D	E	F	H	H1	H2	L	COY N
21320-320060	20	20	10	20,5	M5	20	2,5	11,55	6	18,25 ±0,6	60	300
21320-330080	30	35	20	29,8	M6	22,5	3,5	19,2	10	27,95 ±1,0	80	800
21320-345120	45	55	25	43,8	M8	32,5	5	25,5	12	37,25 ±1,75	120	1600

Roller guide rails



Material:
Steel.

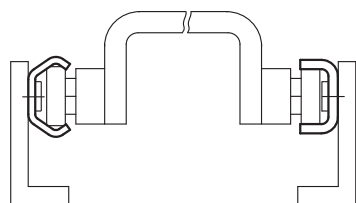
Version:
Electro zinc-plated.

Sample order:
nlm 21320-120X0800
(include length L)

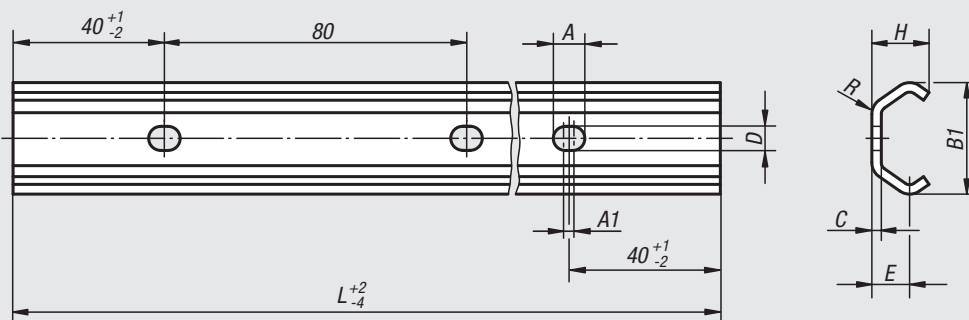
Note:
Stamped and rolled guide rails.

The fixed bearing rail is the main absorber of radial and axial forces. The floating bearing rail serves to absorb the load of radial forces and, in combination with the fixed bearing rail, as a support bearing for absorbing torques that occur. In the connection of the fixed and the floating bearings, the floating bearing rail compensates for parallelism errors and tolerances.

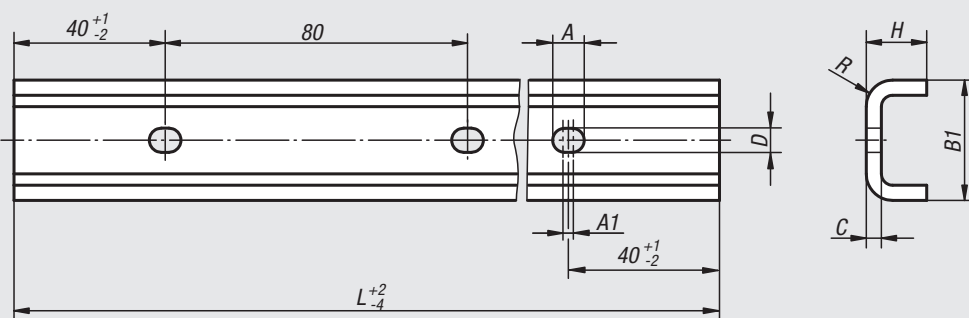
On request:
Lengths up to a max. 3120 mm.



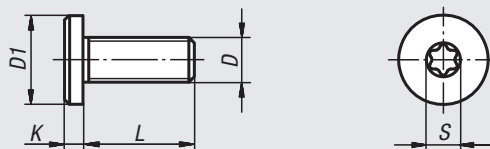
roller guide rail for fixed bearing



roller guide rail for floating bearing



fastening screw



Roller guide rails for fixed bearing

Order No.	Size	A	A1	B1	C	D	E	H	L	R
21320-120X	20	7	2	19,2	2	5	7	10	800/1040/2080/3120	3
21320-130X	30	8,4	2	29,5	2,5	6,4	10	14,1	800/1040/2080/3120	4,5
21320-145X	45	11	2	46,4	4	9	15,5	24	800/1040/2080/3120	6,5

Roller guide rails for floating bearing

Order No.	Size	A	A1	B1	C	D	H	L	R
21320-220X	20	7	2	20,5	3	5	11	800/1040/2080/3120	5,5
21320-230X	30	8,4	2	29,8	3	6,4	16	800/1040/2080/3120	7
21320-245X	45	11	2	43,8	4	9	24,5	800/1040/2080/3120	9,5

Fastening screws

Order No.	D	D1	K	L	S	Suitable for	Tightening torque Nm
21320-0408	M4	8	2	8	T20	size 20	4
21320-0510	M5	10	2	10	T25	size 30	9
21320-0816	M8	16	3	16	T40	size 45	22