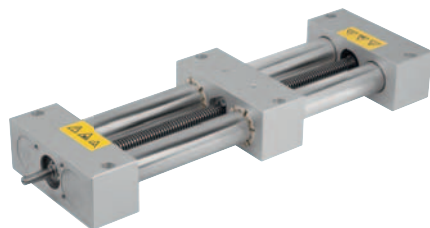


Double tube linear actuator



Material:

Housing aluminium.
Precision tube nickel plated steel.
Trapezoidal thread spindle steel.

Sample order:

n1m 21250-030X500

Note:

The double-tube linear actuator can be operated manually or electrically. Due to the short duty cycle, the units can be adjusted several times a day at low speed and with high stability. Width, length and height adjustment possible.

Temperature range:

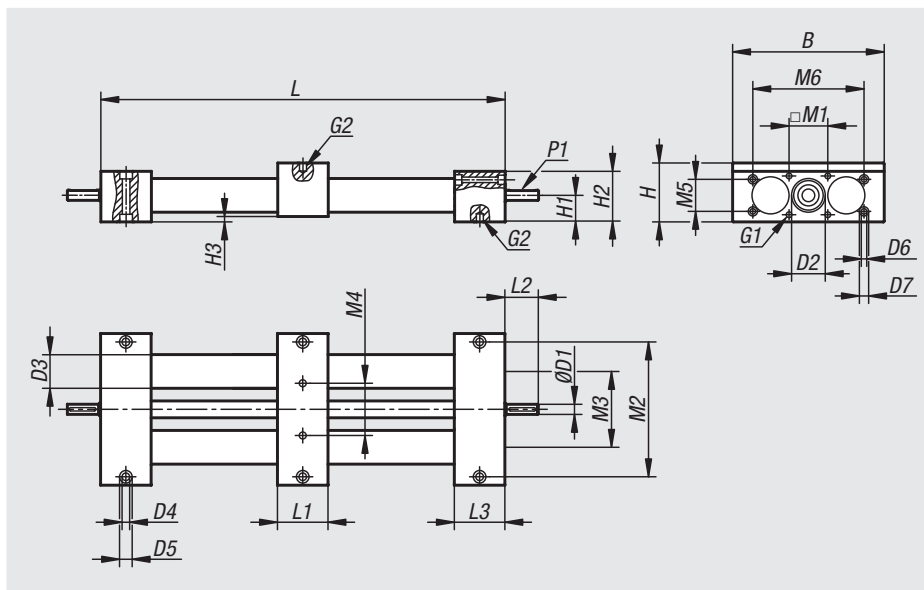
Temperature range 0° C to +60 °C

On request:

Other lengths.

Technical data:

Duty cycle: S3, 30% (at 60 min.)



Double tube linear actuator

Order No.	Version 1	Spindle	B	D1	D2	D3	D4	D5	D6	D7	G1	G2	H	H1	H2	H3	Travel S
21250-030X300	with plain bearing	Tr 14x3	130	8	30H8	30	7	11	-	-	M6	M6	54	27	52	2	150
21250-030X500	with plain bearing	Tr 14x3	130	8	30H8	30	7	11	-	-	M6	M6	54	27	52	2	350
21250-030X800	with plain bearing	Tr 14x3	130	8	30H8	30	7	11	-	-	M6	M6	54	27	52	2	650
21250-130X300	with ball bearing	Tr 14x3	130	8	30H8	30	7	11	-	-	M6	M6	54	27	52	2	150
21250-130X500	with ball bearing	Tr 14x3	130	8	30H8	30	7	11	-	-	M6	M6	54	27	52	2	350
21250-130X800	with ball bearing	Tr 14x3	130	8	30H8	30	7	11	-	-	M6	M6	54	27	52	2	650
21250-040X300	with plain bearing	Tr 20x4	180	12	40H8	40	9	15	6,5	11	M8	M8	63	31,5	60	3	120
21250-040X500	with plain bearing	Tr 20x4	180	12	40H8	40	9	15	6,5	11	M8	M8	63	31,5	60	3	320
21250-040X800	with plain bearing	Tr 20x4	180	12	40H8	40	9	15	6,5	11	M8	M8	63	31,5	60	3	620
21250-040X1000	with plain bearing	Tr 20x4	180	12	40H8	40	9	15	6,5	11	M8	M8	63	31,5	60	3	820
21250-140X300	with ball bearing	Tr 20x4	180	12	40H8	40	9	15	6,5	11	M8	M8	63	31,5	60	3	120
21250-140X500	with ball bearing	Tr 20x4	180	12	40H8	40	9	15	6,5	11	M8	M8	63	31,5	60	3	320
21250-140X800	with ball bearing	Tr 20x4	180	12	40H8	40	9	15	6,5	11	M8	M8	63	31,5	60	3	620
21250-140X1000	with ball bearing	Tr 20x4	180	12	40H8	40	9	15	6,5	11	M8	M8	63	31,5	60	3	820

Order No.	L	L1	L2	L3	M1	M2	M3	M4	M5	M6	P1
21250-030X300	300	50	26	50	40x30	114,5	70	42	-	-	2x2x20
21250-030X500	500	50	26	50	40x30	114,5	70	42	-	-	2x2x20
21250-030X800	800	50	26	50	40x30	114,5	70	42	-	-	2x2x20
21250-130X300	300	50	26	50	40x30	114,5	70	42	-	-	2x2x20
21250-130X500	500	50	26	50	40x30	114,5	70	42	-	-	2x2x20
21250-130X800	800	50	26	50	40x30	114,5	70	42	-	-	2x2x20
21250-040X300	300	60	38	60	46	160	90	62	38	132	4x4x32
21250-040X500	500	60	38	60	46	160	90	62	38	132	4x4x32
21250-040X800	800	60	38	60	46	160	90	62	38	132	4x4x32
21250-040X1000	1000	60	38	60	46	160	90	62	38	132	4x4x32
21250-140X300	300	60	38	60	46	160	90	62	38	132	4x4x32
21250-140X500	500	60	38	60	46	160	90	62	38	132	4x4x32
21250-140X800	800	60	38	60	46	160	90	62	38	132	4x4x32
21250-140X1000	1000	60	38	60	46	160	90	62	38	132	4x4x32