

Plain bearings for rotary stages



Material:

Aluminium outer ring
 Inner ring made of Iglidur® J plain bearing plastic material.
 Stainless steel A2 screws and nuts.

Version:

Anodised outer ring.

Sample order:

nIm 21245-1108020

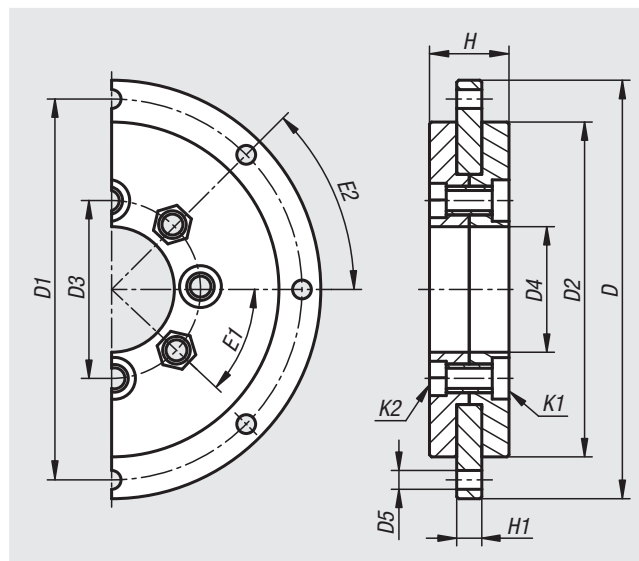
Note:

Extremely low weight plain bearings for rotary stages. The inner ring is made of a high-performance bearing material that surrounds the anodised aluminium outer ring. Such a combination of materials guarantees absolutely lubricant and maintenance-free running.

Simple assembly.
 High wear resistance.
 For high loads, high rigidity.

Temperature range:

-50°C to +90°C.



Order No.	D	D1	D2	D3	D4	D5	E1	E2	H	H1	K1	K2 for nut
21245-1108020	80	70	60	31	20	4,5	6X60°	6X60°	16	5	DIN 7984 M5	ISO 4035 M5
21245-1110030	100	91	80	42,5	30	4,5	8X45°	8X45°	19	6	DIN 7984 M5	ISO 4035 M5
21245-1116060	160	145	130	86	60	5,5	12X30°	20X18°	30	10	Ø 16 cuntersink 6,5 deep	Ø 16 cuntersink 6,5 deep

Order No.	Static axial load rating N	Dynamic axial load rating N	Static radial load rating N	Dynamic radial load rating N	tilt moment max. Nm	Rev. limit n max. rpm
21245-1108020	13000	4000	2000	500	60	250
21245-1110030	25000	7000	2500	700	100	200
21245-1116060	45000	12000	10000	2800	200	120

20000 21000 22000 23000 24000 26000 27000 28000 29000 31000 32000 33000