

## Plain bearing for rotary stages



**Material:**

Aluminium outer ring and inner ring.  
Iglidur® J plastic slide elements.  
Stainless steel A2 screws.

**Version:**

Anodised outer ring and inner ring.

**Sample order:**

nIm 21245-01-1108020

**Note:**

Aluminium plain bearings with replaceable, high performance material glide elements for rotary stages. Such a combination of materials guarantees absolutely lubricant and maintenance-free running.

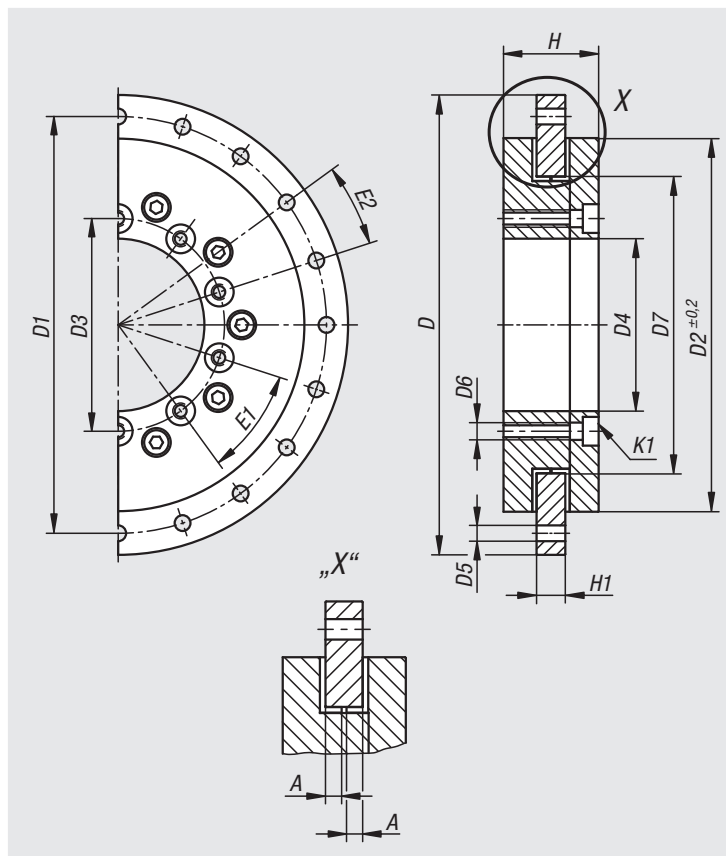
Simple assembly.

High wear resistance.

For high loads, high rigidity.

**Temperature range:**

-50°C to +90°C.



Order No.	A	D	D1	D2	D3	D4	D5	D6	D7	E1	E2	H	H1
21245-01-1108020	3,5	80	70	60	31	20	4,5	M4	40	6X60°	6X60°	24	8
21245-01-1110030	4,5	100	91	82	42,5	30	4,5	M4	58	8X45°	8X45°	29	10
21245-01-1116060	4,5	160	145	130	74	60	5,5	M5	103	10X36°	20X18°	33	10

Order No.	K1	Static axial load rating N	Dynamic axial load rating N	Static radial load rating N	Dynamic radial load rating N	tilt moment max. Nm	Rev. limit n max. rpm
21245-01-1108020	DIN 7984 M4	15000	4000	2300	600	100	300
21245-01-1110030	DIN 7984 M4	27000	7000	5000	1500	200	250
21245-01-1116060	ISO 4762 M5	50000	15000	10000	3000	800	200

## Clamping element

for rotary stage plain bearing



**Material:**

Clamping element steel, clamping screws brass.

**Version:**

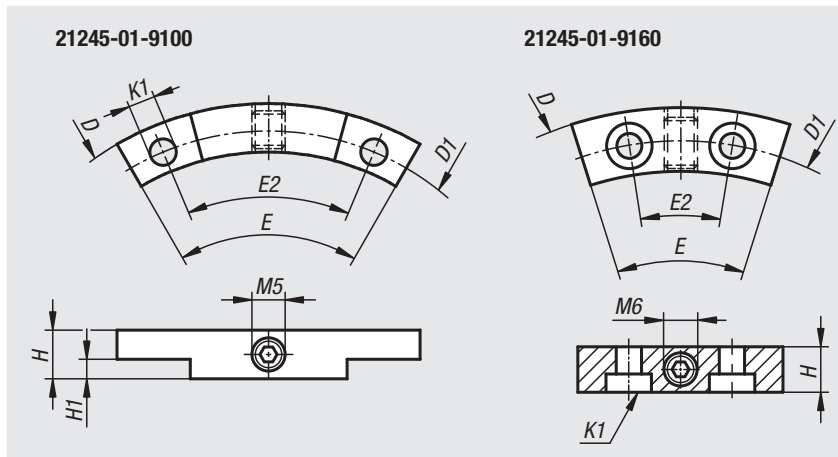
Clamping element bright.

**Sample order:**

n1m 21245-01-9100

**Note:**

Clamping element for screwing onto the outer ring of the rotary stage plain bearing 21245-01. 1 Nm tightening torque gives 10 Nm retaining torque.



Order No.	D	D1	E	E2	H	H1	K1	Suitable for
21245-01-9100	100	91	60°	45°	8	3,2	Ø 4,5	21245-01-1110030
21245-01-9160	160	145	35°	18°	10	-	DIN 7984 M5	21245-01-1116060