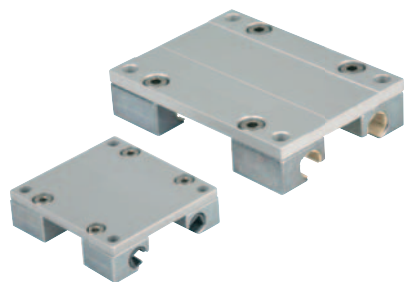


# Carriages DryLin® W



**Material:**

Carriage die-cast zinc.  
Mounting plate aluminium.  
Bearing material iglidur® J.

**Version:**

Carriage chromed.  
Mounting plate anodised.

**Sample order:**

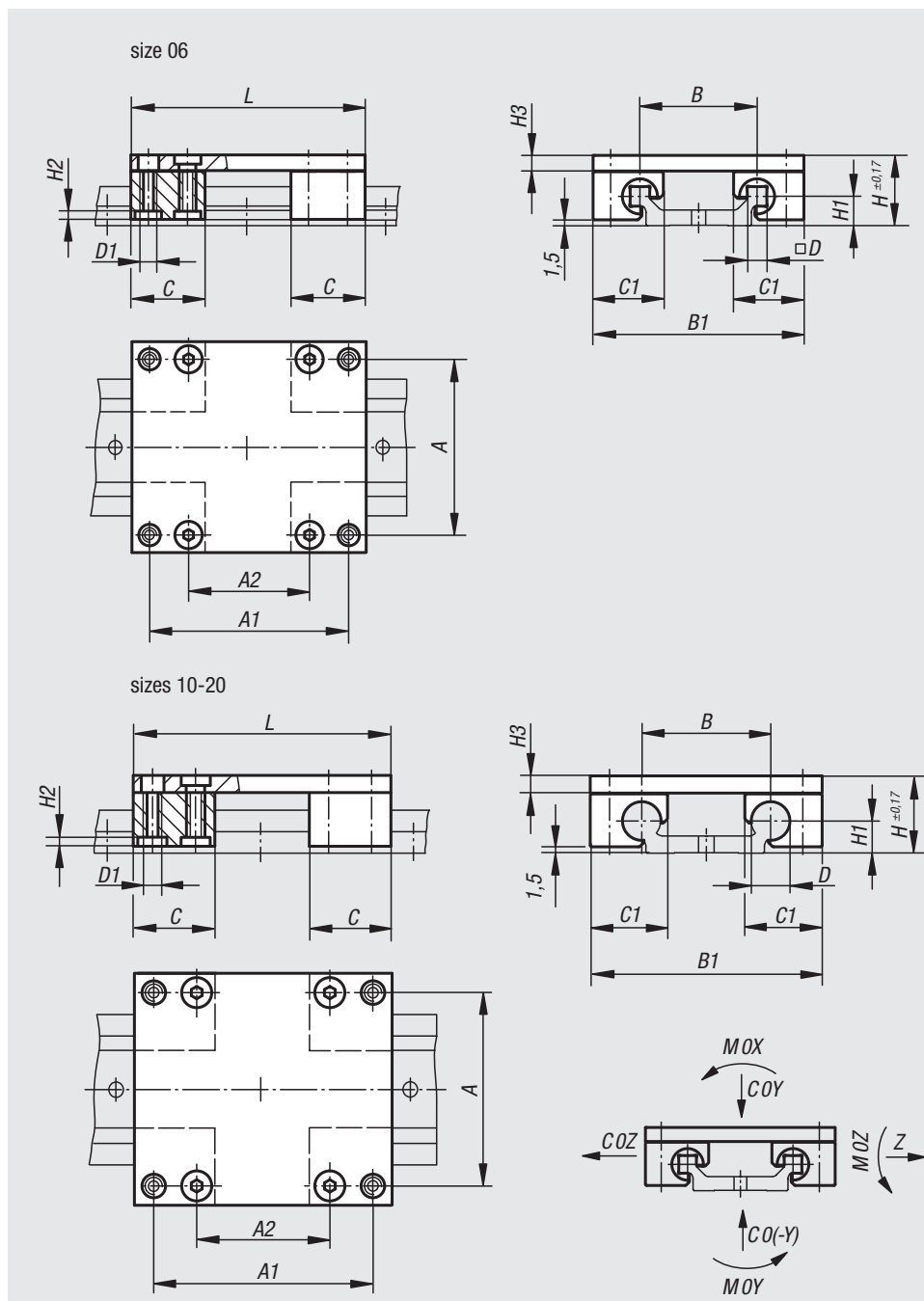
n1m 21240-0600060

**Note:**

DryLin® W carriages are maintenance-free and corrosion resistant. Lacking the need of lubrication makes the system highly dirt resistant. Low friction coefficient in dry running and very quiet. Due to the flat and wide design, high torques are possible. Speeds up to 15 m/s. Applicable temperature -40 °C to +90 °C.

**Accessories:**

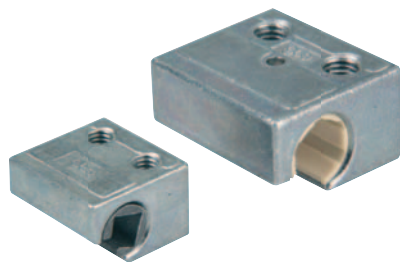
Double guide rails 21240.



Order No.	Size	A	A1	A2	B	B1	C	C1	D	D1	H	H1	H2	H3	L	COY kN	CO(-Y) kN	COZ kN	MOX Nm	MOY Nm	MOZ Nm
21240-0600060	6	45	51	31	30	54	19	18	5	M4	18	7,5	2	4	60	1,68	1,68	1,68	25	34	34
21240-0600080	6	45	71	51	30	54	19	18	5	M4	18	7,5	2	4	80	1,68	1,68	1,68	25	51	51
21240-0600100	6	45	91	71	30	54	19	18	5	M4	18	7,5	2	4	100	1,68	1,68	1,68	25	68	68
21240-1000100	10	60	87	55	40	73	29	26	10	M6	24	9	3,5	6	100	4,8	4,8	4,8	96	170	170
21240-1000150	10	60	137	105	40	73	29	26	10	M6	24	9	3,5	6	150	4,8	4,8	4,8	96	290	290
21240-1000200	10	60	187	155	40	73	29	26	10	M6	24	9	3,5	6	200	4,8	4,8	4,8	96	410	410
21240-1600100	16	86	82	46	58	104	36	34,5	16	M8	35	14	4	8	100	8,4	8,4	8,4	240	270	270
21240-1600150	16	86	132	96	58	104	36	34,5	16	M8	35	14	4	8	150	8,4	8,4	8,4	240	480	480
21240-1600200	16	86	182	146	58	104	36	34,5	16	M8	35	14	4	8	200	8,4	8,4	8,4	240	690	690
21240-2000150	20	116	132	78	82	134	45	42,5	20	M8	44	20	4	8	150	12,8	12,8	12,8	525	670	670
21240-2000200	20	116	182	128	82	134	45	42,5	20	M8	44	20	4	8	200	12,8	12,8	12,8	525	990	990
21240-2000250	20	116	232	178	82	134	45	42,5	20	M8	44	20	4	8	250	12,8	12,8	12,8	525	1250	1250

20000 21000 22000 23000 24000 26000 27000 28000 29000 31000 32000 33000

## Slide carriages DryLin® W



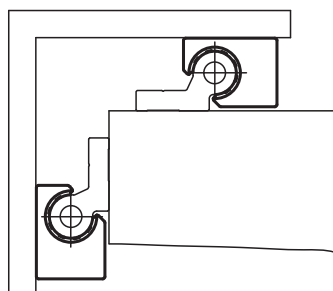
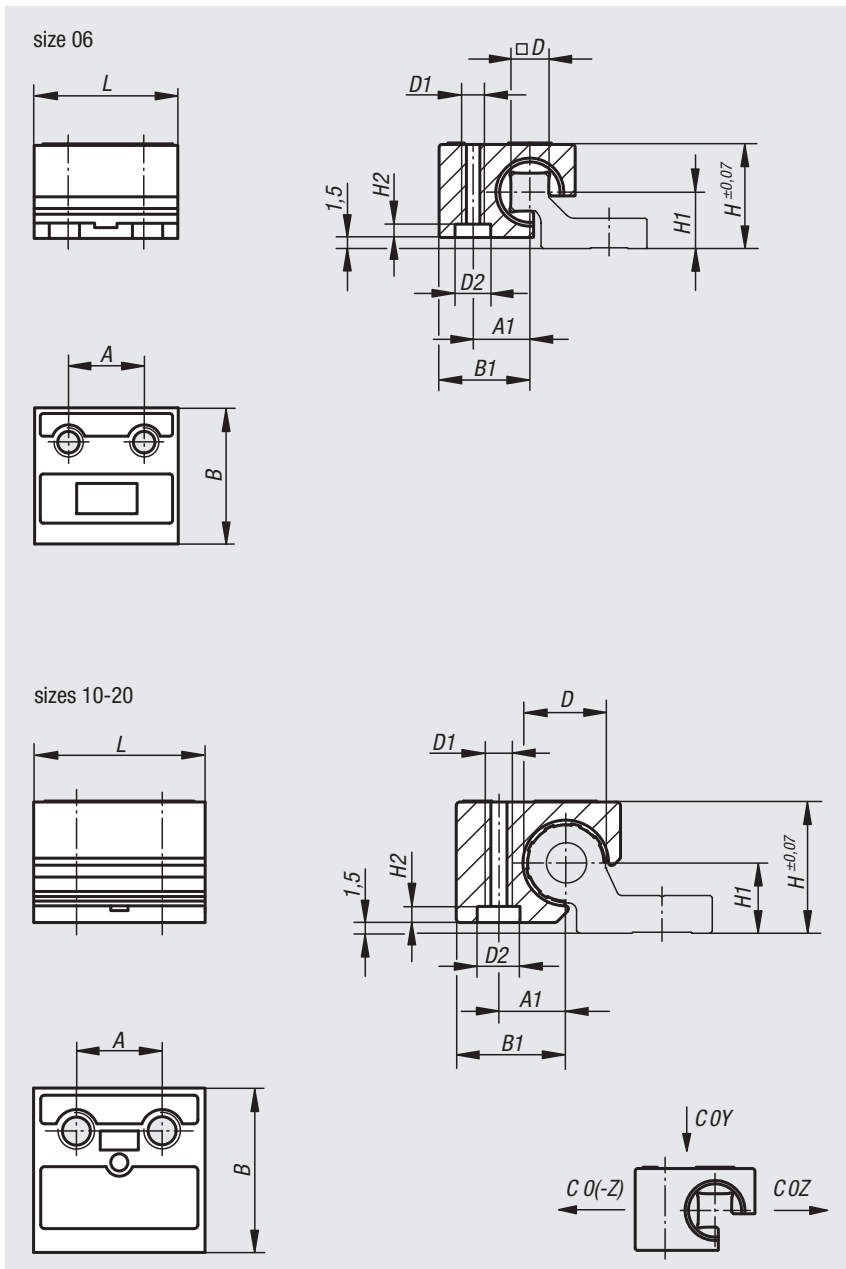
**Material:**  
Die-cast zinc.  
Bearing material iglidur® J.

**Version:**  
Chromed

**Sample order:**  
nlm 21240-0600

**Note:**  
DryLin® W slide carriages are maintenance-free and corrosion resistant. Lacking the need of lubrication makes the system highly dirt resistant. Low friction coefficient in dry running and very quiet. Suitable for single or double rails. Speeds up to 15 m/s. Applicable temperature -40 °C to +90 °C.

**Accessories:**  
Guide rails 21240.



Order No.	Version 2	Size	A	A1	B	B1	D	D1	D2	H	H1	H2	L	COY kN	COZ kN	CO(-Z) kN
21240-0600	standard fixed bearing	6	10	7,5	18	12	5	M4	7	14	7,5	2	19	0,42	0,42	0,14
21240-0620	floating bearing y axis	6	10	7,5	18	12	5	M4	7	14	7,5	2	19	0,42	0,42	0,14
21240-0630	floating bearing z axis	6	10	7,5	18	12	5	M4	7	14	7,5	2	19	0,42	0,42	0,14
21240-1000	standard fixed bearing	10	16	10	26	16,5	10	M6	9,5	18	9	3,5	29	1,2	1,2	0,25
21240-1020	floating bearing	10	16	10	26	16,5	10	M6	9,5	18	9	3,5	29	1,2	1,2	0,25
21240-1600	standard fixed bearing	16	18	14	34,5	23	16	M8	11,5	27	14	4	36	2,1	2,1	0,4
21240-2000	standard fixed bearing	20	27	17	42,5	26	20	M8	11,5	36	20	4	45	3,2	3,2	0,5
21240-2020	floating bearing	20	27	17	42,5	26	20	M8	11,5	36	20	4	45	3,2	3,2	0,5

# Guide rails DryLin® W

single



**Material:**  
Aluminium.

**Version:**  
Hard anodised, layer thickness 50 µm.  
Hardness 500 HV

**Sample order:**  
nlm 21240-10630X3000 (L max.)

**Ordering example guide rail:**  
nlm 21240-10620X500 (customer specific  
guide rail size 06)

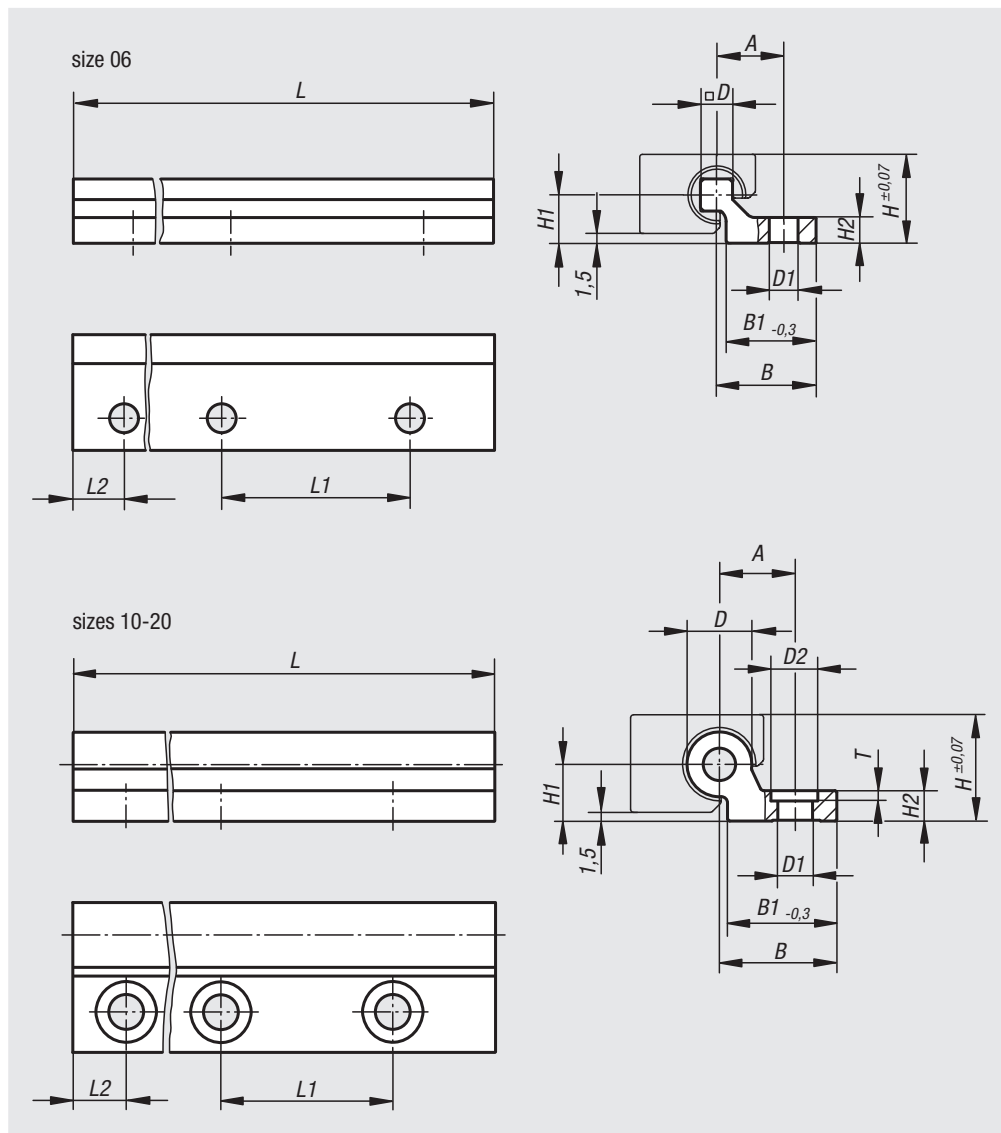
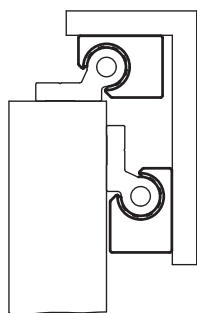
\*\* include length L2 = 20 mm and

\* L = 500 mm

L2 and L only available in full mm.

**Note:**

Single guide rails enable highest flexibility during construction and easy assembly. Can be used to compensate for height differences in height. Hard anodised aluminium is used as rail material and ensures best friction and wear results. Robust and dirt resistant for transporting heavy loads safely and maintenance-free.



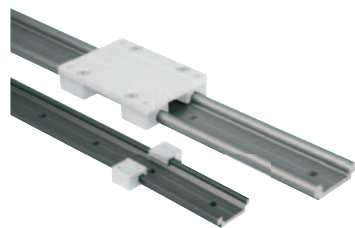
Order No.	Version	Size	L max.	L2	A	B	B1	D	D1	D2	H	H1	H2	L1	T
21240-10630X3000	L max.	6	3000	30	10,5	15,5	14	5	4,5	-	14	7,5	4	60	-
21240-11030X4000	L max.	10	4000	30	17	27	27	10	6,6	-	18	9	5,5	120	-
21240-11630X4000	L max.	16	4000	30	19	29	27	16	9	15	27	14	7,5	120	4
21240-12030X4000	L max.	20	4000	30	21	31	27	20	9	15	36	20	9,5	120	5

Order No.	Version	Size	L max.	L2 min.	L2 max.	A	B	B1	D	D1	D2	H	H1	H2	L1	T	
21240-106**X*	L2 and L customer specific	6	*	**	20	49,5	10,5	15,5	14	5	4,5	-	14	7,5	4	60	-
21240-110**X*	L2 and L customer specific	10	*	**	20	79,5	17	27	27	10	6,6	-	18	9	5,5	120	-
21240-116**X*	L2 and L customer specific	16	*	**	20	79,5	19	29	27	16	9	15	27	14	7,5	120	4
21240-120**X*	L2 and L customer specific	20	*	**	20	79,5	21	31	27	20	9	15	36	20	9,5	120	5

20000 21000 22000 23000 24000 26000 27000 28000 29000 31000 32000 33000

## Guide rails DryLin® W

double



**Material:**

Aluminium.

**Version:**

Hard anodised, layer thickness 50 µm.  
Hardness 500 HV

**Sample order:**

n1m 21240-20630X3000 (L max.)

**Ordering example guide rail:**

n1m 21240-20620X500 (customer specific guide rail size 06)

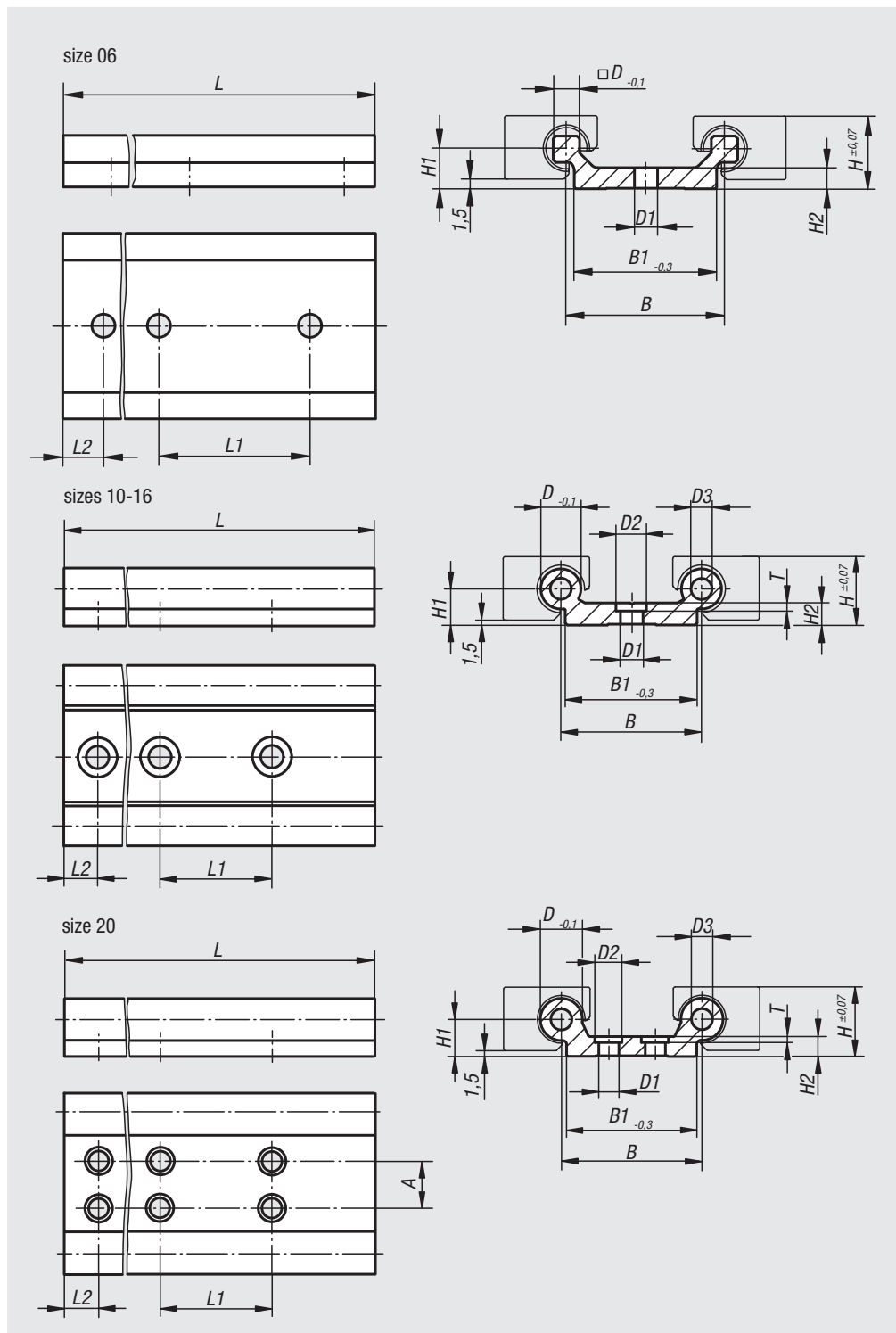
\*\* include length L2 = 20 mm and

\* L = 500 mm

L2 and L only available in full mm.

**Note:**

Extremely flat rails with wide guides reaching to the edge for optimally support high torque. Robust and dirt resistant for transporting heavy loads safely and maintenance-free.



Order No.	Version	Size	L max.	L2	L2 min.	L2 max.	A	B	B1	D	D1	D2	D3	H	H1	H2	L1	T
21240-20630X3000	L max.	6	3000	30	-	-	-	30	27	5	4,5	-	-	14	7,5	4	60	-
21240-21030X4000	L max.	10	4000	30	-	-	-	40	40	10	6,6	-	-	18	9	5,5	120	-
21240-21630X4000	L max.	16	4000	30	-	-	-	58	54	16	9	15	8	27	14	7,5	120	4
21240-22030X4000	L max.	20	4000	30	-	-	40	82	74	20	9	15	14	36	20	9,5	120	5
21240-206**X*	L2 and L customer specific	6	*	**	20	49,5	-	30	27	5	4,5	-	-	14	7,5	4	60	-
21240-210**X*	L2 and L customer specific	10	*	**	20	79,5	-	40	40	10	6,6	-	-	18	9	5,5	120	-
21240-216**X*	L2 and L customer specific	16	*	**	20	79,5	-	58	54	16	9	15	8	27	14	7,5	120	4
21240-220**X*	L2 and L customer specific	20	*	**	20	79,5	40	82	74	20	9	15	14	36	20	9,5	120	5